



AT-LP3XBT

Automatic Wireless Turntable

User Manual

Introduction

This product can be used only in the countries where the product is sold. Make sure that the operating voltage and the plug of AC adapter of the product are correct for the country you live in.

Safety precautions

Although this product was designed to be used safely, failing to use it correctly may result in an accident. To ensure safety, observe all warnings and cautions while using the product.

Important information

Warning

To prevent fire or shock hazard, do not expose this apparatus to rain or moisture.

Caution

- Do not expose this apparatus to drips or splashes.
- To avoid electric shock, do not open the cabinet.
- Refer servicing to qualified personnel only.
- Do not expose this apparatus to excessive heat such as sunshine, fire or the like.
- Do not subject this apparatus to strong impact.
- This apparatus should be located close enough to the AC outlet so that you can easily grasp the AC adapter at any time.
- In case of emergency, disconnect the AC adapter quickly.
- Do not place any objects filled with liquids, such as vases, on this apparatus.
- To prevent fire, do not place any naked flame sources (such as lighted candles) on this apparatus.
- Do not install this apparatus in a confined space such as a bookcase or similar unit.
- Install this apparatus only in the place where ventilation is good.

For customers in the USA

FCC Notice

Warning

This device complies with Part 15 of the FCC Rules. Operation is subject to the following two conditions: (1) This device may not cause harmful interference, and (2) this device must accept any interference received, including interference that may cause undesired operation.

Caution

You are cautioned that any changes or modifications not expressly approved in this manual could void your authority to operate this equipment.

Safety precautions

Note: This equipment has been tested and found to comply with the limits for a Class B digital device, pursuant to part 15 of the FCC Rules. These limits are designed to provide reasonable protection against harmful interference in a residential installation. This equipment generates, uses and can radiate radio frequency energy and, if not installed and used in accordance with the instructions, may cause harmful interference to radio communications. However, there is no guarantee that interference will not occur in a particular installation. If this equipment does cause harmful interference to radio or television reception, which can be determined by turning the equipment off and on, the user is encouraged to try to correct the interference by one or more of the following measures:

- Reorient or relocate the receiving antenna.
- Increase the separation between the equipment and receiver.
- Connect the equipment into an outlet on a circuit different from that to which the receiver is connected.
- Consult the dealer or an experienced radio/TV technician for help.

This transmitter must not be co-located or operated in conjunction with any other antenna or transmitter used in other systems.

RF Exposure Statement

This device complies with FCC radiation exposure limits set forth for an uncontrolled environment and meets the FCC radio frequency (RF) Exposure Guidelines. This equipment has very low levels of RF energy that it deemed to comply without maximum permissive exposure evaluation (MPE). But it is desirable that it should be installed and operated keeping the radiator at least 20cm or more away from person's body.

Contact

Responsible Company: Audio-Technica U.S., Inc.
Address: 1221 Commerce Drive, Stow, Ohio 44224, USA
Tel: 330-686-2600

For customers in Canada

ISED statement

CAN ICES-003 (B)/NMB-003(B)

This device complies with RSS-102 radiation exposure limits set forth for an uncontrolled environment.

This equipment should be installed and operated with minimum distance of 20 cm between the radiator & your body.

Notes on use

Turntable body

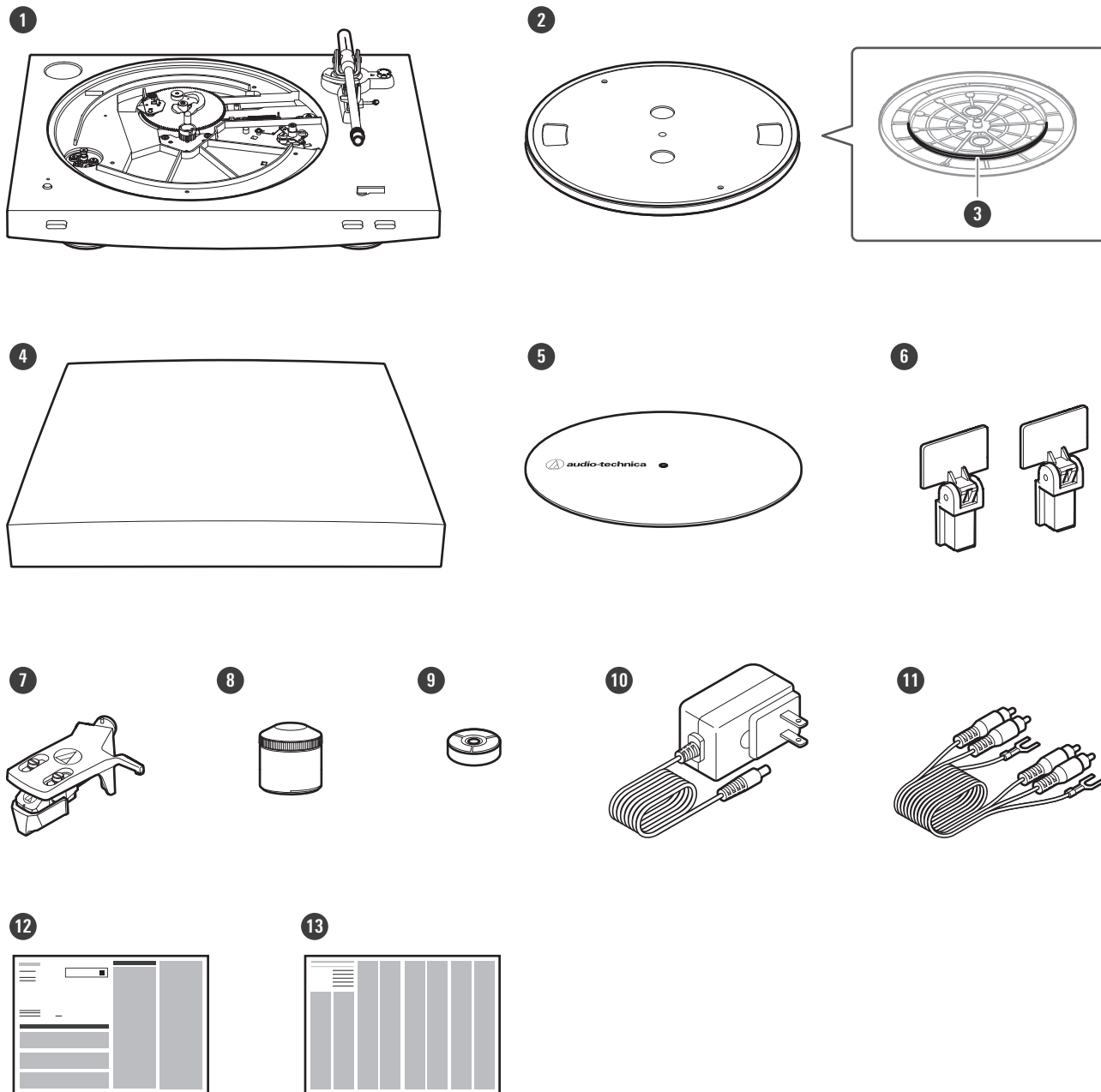
- Do not set and use the product in locations that are considerably hot or humid, dirty, or subject to extreme vibrations.
- The product should be positioned on a flat, level surface.
- When closing the dust cover, close it completely.
- When using this product with a Bluetooth device connected to it, be sure to also read the user manual for the Bluetooth device.

Cartridge

- Attach the provided protector to the cartridge when the product is not in use.
- Do not touch the stylus of the cartridge with your finger.
- Do not allow the stylus to bump against the platter, felt mat, or edge of the record.

Package contents

- Make sure that you have all the included items before using this product.
- If some items are missing or damaged, contact your local Audio-Technica dealer.
- After purchase, we suggest that you save all packaging materials for possible future storage, moving, or shipping.



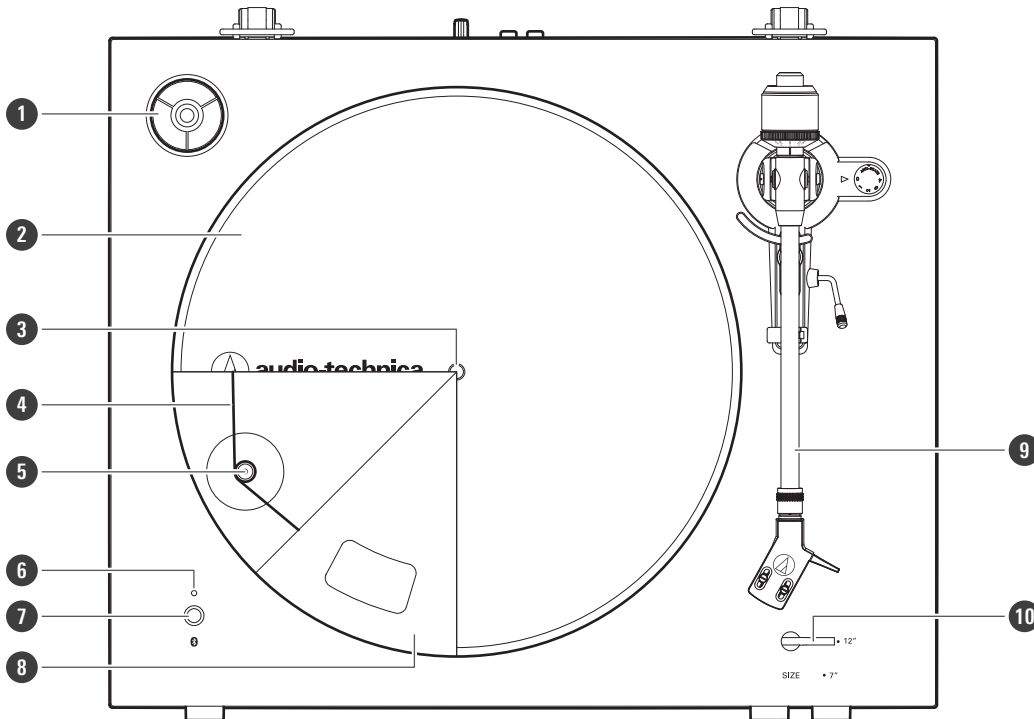
- 1 Turntable body
- 2 Platter
- 3 Drive belt
- 4 Dust cover
- 5 Felt mat
- 6 Dust cover hinges

Package contents

- 7 Headshell (AT-HS3 BK) with VM stereo cartridge (AT-VM95C)
- 8 Counterweight
- 9 45 RPM adapter
- 10 AC Adapter
- 11 RCA audio cable (Approx. 1.0 m (3.3'))
- 12 Quick Start Guide
- 13 Caution Guide

Part names and functions

Top view



1 45 RPM adapter (shown in receptacle)

Select the platter speed (33-1/3 or 45 RPM).

2 Felt mat

3 Spindle

4 Drive belt

5 Motor pulley (brass-colored)

6 Bluetooth indicator LED

Indicates the Bluetooth connection status with solidly lit or flashing light.

7 Wireless function button

Use to connect this product to a Bluetooth device.

8 Platter

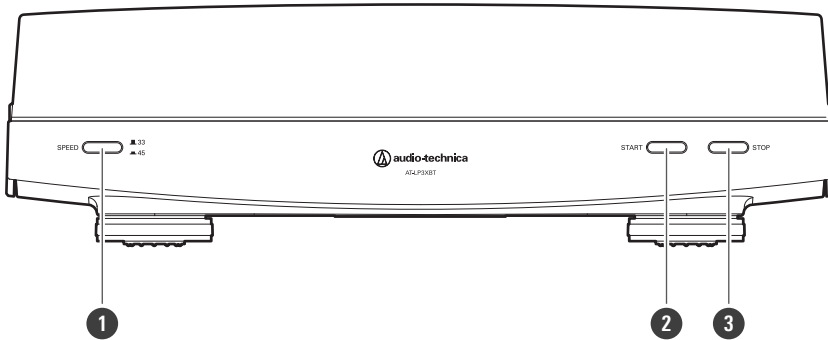
9 Tonearm

10 Size selector

Switch between 12" and 7", according to the size of the record.

Part names and functions

Front view



1 Platter speed button

Selects the platter speed (33-1/3 or 45 RPM).

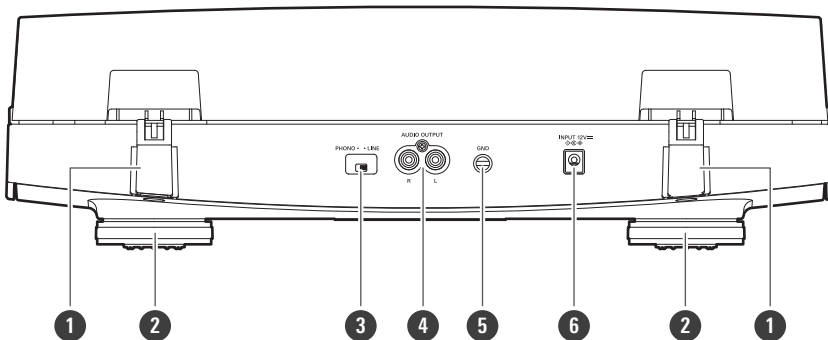
2 START button

Spins the platter and moves the tonearm.

3 STOP button

Returns the tonearm to its original position and stops the platter.

Rear view



1 Dust cover hinge holders

Attachment points for dust cover hinges.

2 Feet

Adjust the level of the product.

3 Pre-amplifier selector switch

If connecting to an amplifier's PHONO input jack, set this switch to the PHONO position. If connecting to the AUX jack of an amplifier, set this switch to the LINE position.

4 Stereo output terminals

Connect the RCA audio cable. Connect it to either the amplifier's PHONO input jack or its line input jack. The red terminal is the right channel and the white terminal is the left channel.

Part names and functions

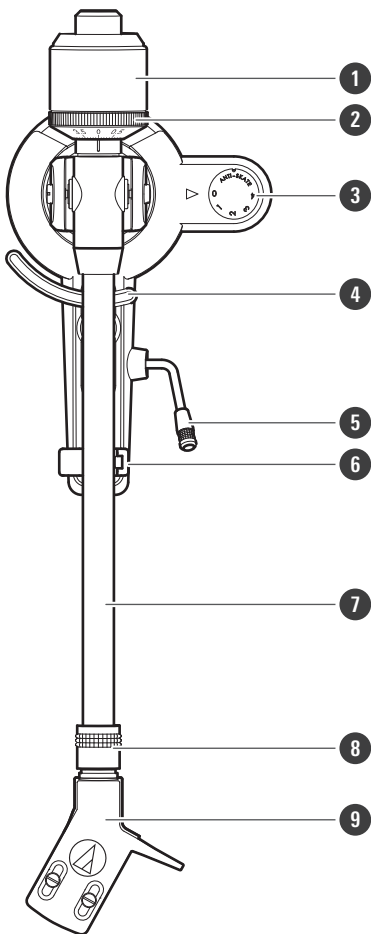
5 Ground (earth) terminal

Connect the amplifier's ground (earth) terminal to this terminal using the RCA audio cable's ground line.

6 Power input jack

Connect the AC adapter.

Tonearm



1 Counterweight

Balances the tonearm and adjusts to provide the proper tracking force.

2 Tracking force gauge ring

Use to adjust the tracking force.

3 Anti-skate control dial

While the record is playing, a force acts on the stylus tip to pull it inward. This force can be counteracted by setting the same values for anti-skate and the tracking force.

4 Tonearm lift

Moves the tonearm vertically to and from the face of the record.

Part names and functions

5 Tonearm lift control lever

Operates the tonearm lift.

6 Tonearm rest

7 Tonearm

8 Locking ring

Rotate the ring to the left (counterclockwise) to secure the headshell. To remove the headshell, rotate the ring to the right.

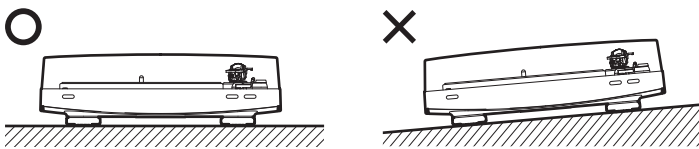
9 Headshell and cartridge

The cartridge is attached to the headshell.

Preparation for use

Setting up the turntable

- Position the product on a level surface.
- To avoid the effects of vibrations and acoustic pressure, do not mount the product next to such items as speakers.
- The product may pick up radio static if placed next to a radio. Therefore, try to keep the product away from radios.
- If the product is near equipment (cell phone, etc.) that emits strong radio waves, noise may occur.

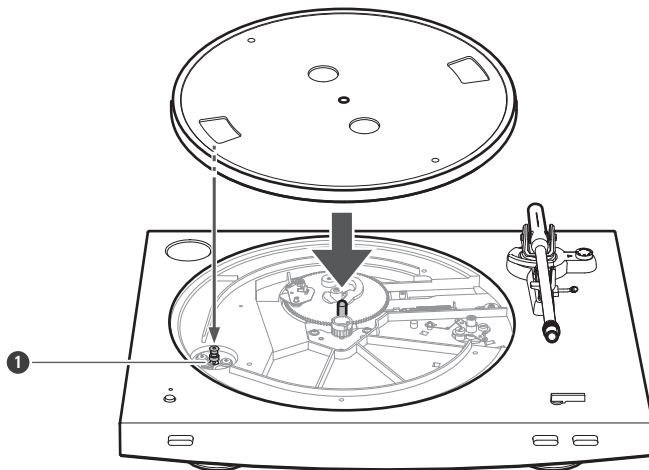


Placing the platter and the felt mat

This product requires some assembly before using it for the first time. Do not connect the AC adapter until assembly is complete.

1 Set the platter on the spindle.

- Make certain that the platter is fully seated on the spindle.
- Align one of the openings with the position of the motor pulley (brass-colored) (See the diagram below).
- To avoid damaging the spindle when seating the platter, align the positions of the spindle and the platter's hole, and then slowly seat the platter.

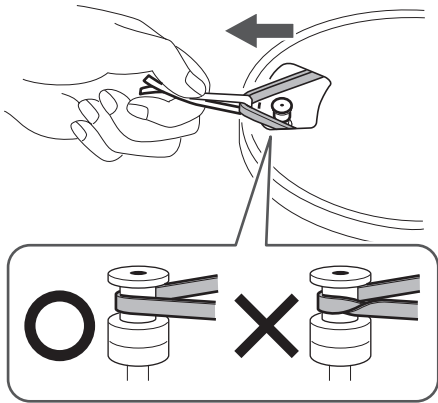


1 Motor pulley (brass-colored)

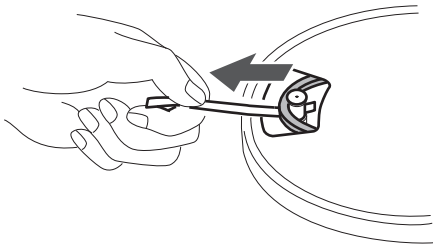
2 Attach the drive belt to the motor pulley (brass-colored).

- Align one of the platter openings with the brass motor pulley, and, while pulling both ends of the red ribbon that comes attached to the belt, place the belt on the motor pulley, as per the diagram. When doing this, be careful not to twist the belt.

Preparation for use

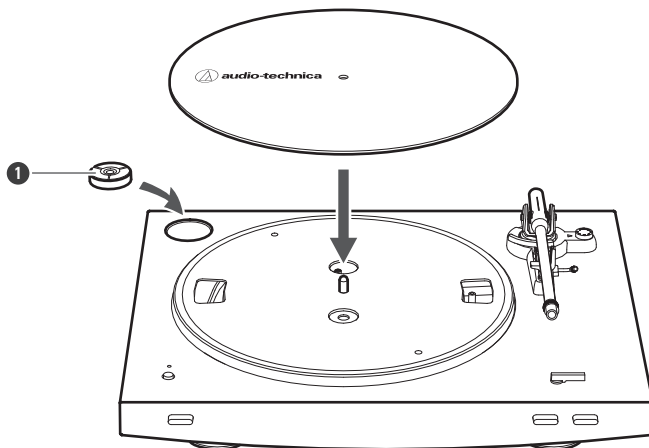


3 Remove the red ribbon from the belt.



4 Set the felt mat on the platter.

- After setting the felt mat, put the 45 RPM adapter into the space made for it on the upper left.

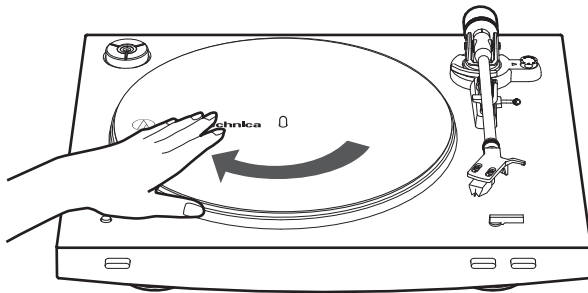


- ① 45 RPM adapter

Rotating the platter

1 Using your hands, rotate the platter ten times.

- Raise the tonearm lift control lever to lift the tonearm. Slowly rotate the turntable ten times by hand in the direction of the arrow.
- You may want to hold the tonearm to prevent it from moving. This step is for getting rid of any twists in the belt and making sure the belt rides smoothly along the drive rim on the underside of the platter.

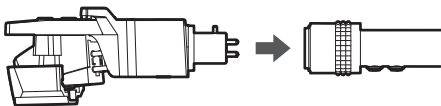


Assembling the tonearm

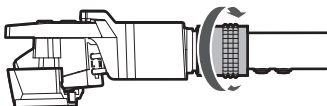
1 Remove the cable tie used to secure the tonearm at the time of delivery.

2 Insert the headshell into the tonearm.

- Hold the right and left edges of the headshell so that you do not damage the stylus or cut the cartridge's wires.

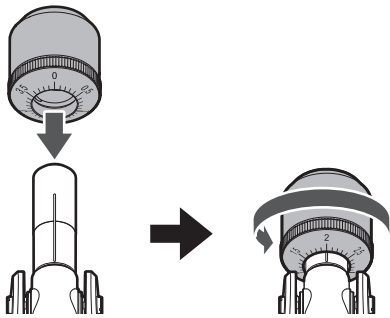


3 With the headshell inserted, turn the locking ring counterclockwise (to the left).



4 Attach the counterweight to the back of the tonearm and slowly turn it counterclockwise (to the left).

Preparation for use



Tonearm balance and tracking force

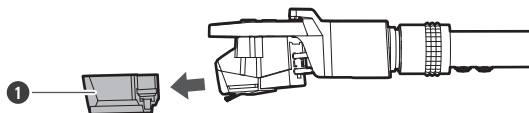
In order for the cartridge to pick up sound correctly from the record's grooves, the tonearm's balance and tracking force must be adjusted to fit the specifications of the cartridge.

If the tonearm's balance and tracking force are not properly adjusted, the record or the cartridge's stylus may become damaged.

- Do not drag the cartridge's stylus across the record or felt mat when adjusting the tonearm's balance or tracking force. Doing so may damage the stylus.

Setting tonearm balance

- 1 Remove the cartridge's protector.**



1 Protector

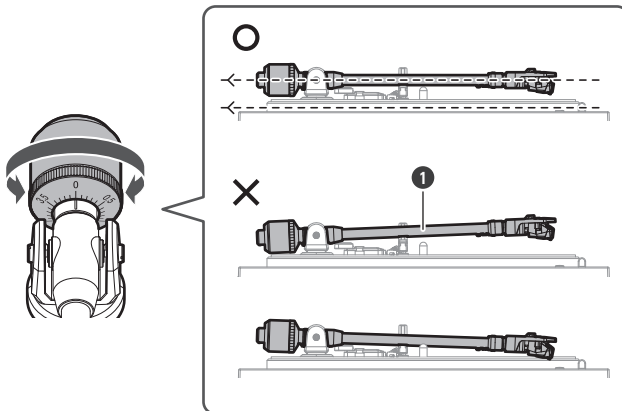
- 2 Lift the tonearm lift control lever and move the tonearm over the felt mat. Lower the tonearm lift control lever while holding the headshell.**

- Be careful not to allow the stylus tip to touch the felt mat.

- 3 While still lightly holding the headshell, turn the counterweight to adjust the tonearm's balance.**

- Adjust the balance so that the tonearm is level when you release the headshell.

Preparation for use

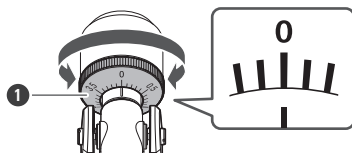


- 4 Return the tonearm to the tonearm rest.

Setting tracking force

- 1 While supporting the counterweight so that it does not move, turn the tracking force gauge ring so that its "0" position lines up with the centerline on the back of the tonearm.

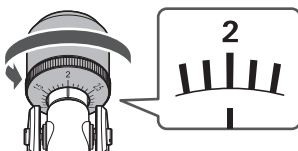
- The tracking force is not adjusted simply by turning the tracking force gauge ring.



- 1 Tracking force gauge ring

- 2 Turn the counterweight and the tracking force gauge ring counterclockwise (to the left) to set the tracking force to the recommended tracking force value for the cartridge you are using.

- Refer to the cartridge maker's specifications for the recommended tracking force value.
- The tracking force value for the cartridge provided with this product is 2.0 g.



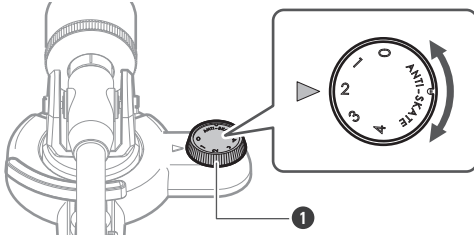
Setting the anti-skate adjustment

While the record is playing, a force acts on the stylus tip to pull it inward. This force can be counteracted by setting the same values for anti-skate and the tracking force.

Preparation for use

1 Adjust the anti-skate control dial to have the same value as the tracking force value.

- The tracking force value for the cartridge provided with this product is 2.0 g.

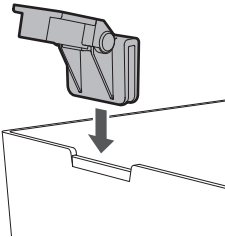


1 Anti-skate control dial

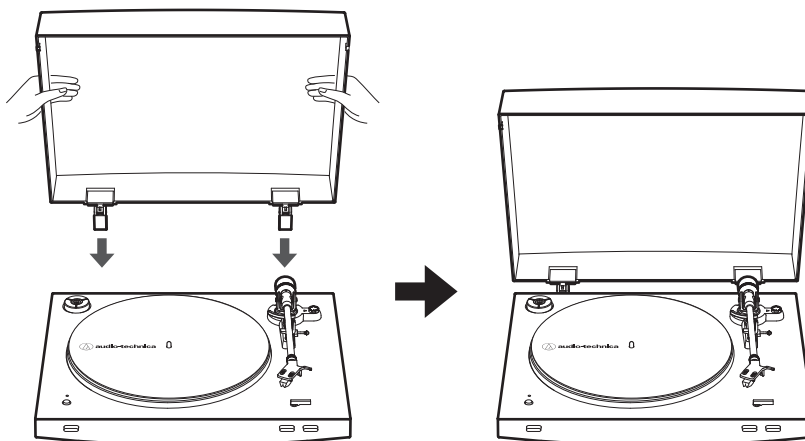
Installing the dust cover

The dust cover is designed to protect the product's sensitive components when the product is not in use.

1 Attach the dust cover hinges to the slots on the dust cover.



2 Insert the hinges of the dust cover into the two dust cover hinge holders on the back of the body.



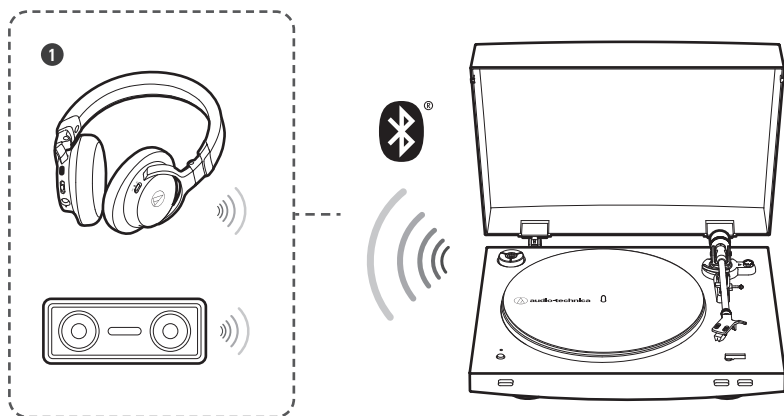
- When removing the dust cover, slowly pull the dust cover out from the dust cover hinge holders on the body.
- The dust cover should remain open or off while records are playing.

Wireless/wired connection

Depending on your usage environment, you can use the wireless connection via Bluetooth or the wired connection to active speakers or the like using the RCA audio cable.

Connecting wirelessly

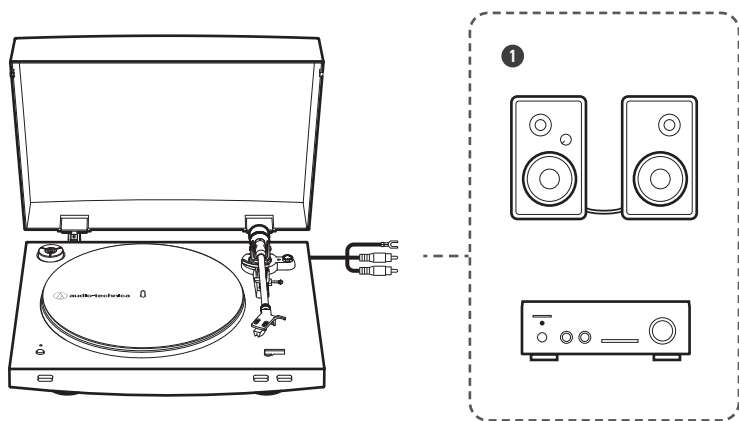
To wirelessly connect the product to connectable equipment using Bluetooth, refer to "Using the product with wireless connection" (p. 18).



1 Wireless headphones or wireless speakers

Connecting with wires

To connect the product to connectable equipment using the RCA audio cable, refer to "Using the product with a wired connection" (p. 25).



1 Active speakers or amplifier



- If the speaker to which the product is connected has no volume control function, you cannot control the volume.

Using the product with wireless connection

This product is Bluetooth compatible. You can connect this product to the Bluetooth-compatible headphones, speakers, etc. (hereinafter referred to as a Bluetooth device).

About pairing

To connect this product to a Bluetooth device, first pair (register) the product with the device. Once they are paired, you do not need to pair them again.

You will need to pair them again in the following cases:

- If the product is deleted from the connection history of the Bluetooth device.
- If the product is sent out for repair.
- If the product is paired with nine or more devices. (This product can be paired with up to eight devices. If you pair a new device after eight devices have already been paired, the pairing information of the new device will overwrite the information of the device that has the oldest connection date and time among the registered devices.)

Pairing a Bluetooth device

- Also read the user manual of the Bluetooth device.
- Place the Bluetooth device within 1 m (3.3') of this product to perform pairing.
- Please be aware that operation of Bluetooth devices connected to this product is not guaranteed.

1 Plug the AC adapter into an outlet.

- For safety, raise the tonearm by lifting the tonearm lift control lever to the UP position.
- This product does not have a power switch. A standby current is always running through the product, even when it is not being used; disconnect the AC adapter from the outlet when not using the product for a long period of time.
- Connect the AC adapter to the outlet without removing the cartridge's protector. If the platter has rotated, press the STOP button without touching the tonearm, and then wait until the tonearm returns to its original position.
- If you play a record immediately after plugging the AC adapter into an outlet, the sound that is played may be garbled. Wait a short time (about 30 seconds) after plugging the AC adapter into the outlet before playing a record.

2 Set the pre-amplifier selector switch to LINE.

3 Put the Bluetooth device you want to use (Bluetooth-compatible headphones, speakers, etc.) into pairing mode.

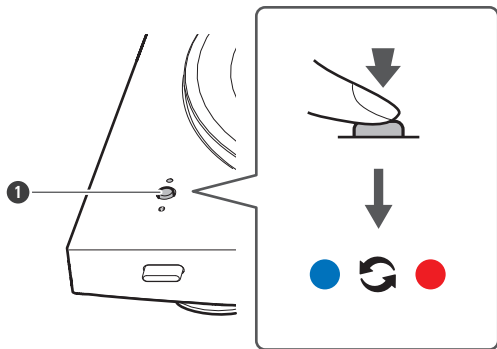
Using the product with wireless connection

 ON



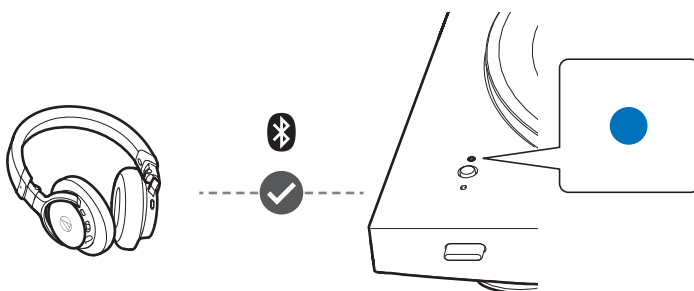
4 Hold down the wireless function button (approx. 2 seconds).

- The Bluetooth indicator LED starts flashing red and blue.



1 Wireless function button


5 When pairing is completed, the Bluetooth indicator LED lights in blue.



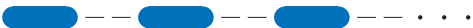


- The pairing mode of this product automatically ends after a fixed amount of time (approx. 30 seconds). If pairing is not completed successfully, follow the same pairing steps again.

Bluetooth indicator LED

Pairing

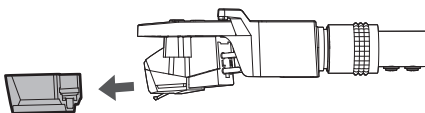
Operating status	Indicator display pattern
Searching for devices	 Flashing blue and red

Connecting

Operating status	Indicator display pattern
Waiting for connection	 Flashing blue
Connecting	 Lit in blue
Disconnecting	 Lit in red

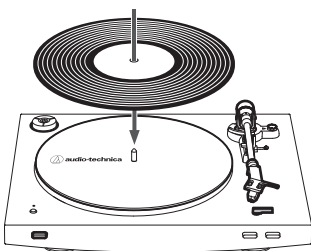
Before playing a record

- 1 Remove the cartridge's protector.
 - Pull the protector straight forward to remove it.



- 2 Place the record on the felt mat so that the center hole aligns with the spindle.

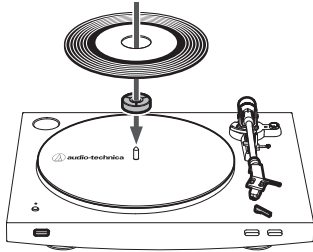
At 33-1/3 RPM



Using the product with wireless connection

At 45 RPM

To play a 45 RPM record, attach the 45 RPM adapter.



3 Turn on the power of the Bluetooth device.

- When this product is correctly connected to the Bluetooth device, the product's Bluetooth indicator LED lights in blue.
- When the Bluetooth indicator LED lights in red, press the wireless function button to reconnect to the Bluetooth device.



- If amplifiers or active speakers already connected to the product with wires are left on, sound will be played from both the wire-connected equipment and from the Bluetooth device when it is connected to the product via Bluetooth. Only turn on the device you want to use for playback.

Automatic operation

Lower the volume of the wireless headphones, wireless speakers, etc. sufficiently.

1 Select the size with the size selector.

- Select "12"" for an LP record with a 12" diameter, and "7"" for a 45 RPM record with a 7" diameter.



SIZE • 7"

2 Press the speed with the platter speed button.

- Select "33" for a 33-1/3 RPM record and "45" for a 45 RPM record.

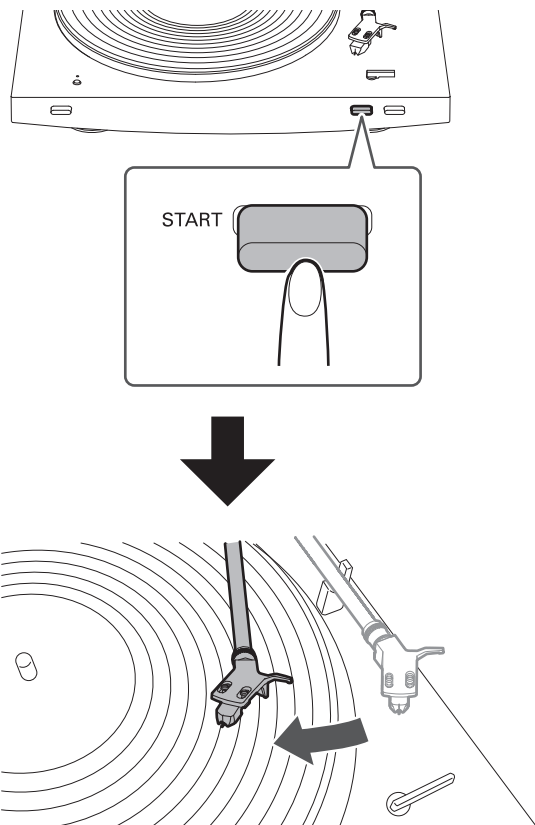


3 Press the START button.

- Do not subject the product to strong impact during playback.

Using the product with wireless connection

- Do not switch the record size selection while the record is playing. Doing so can cause the product to malfunction.



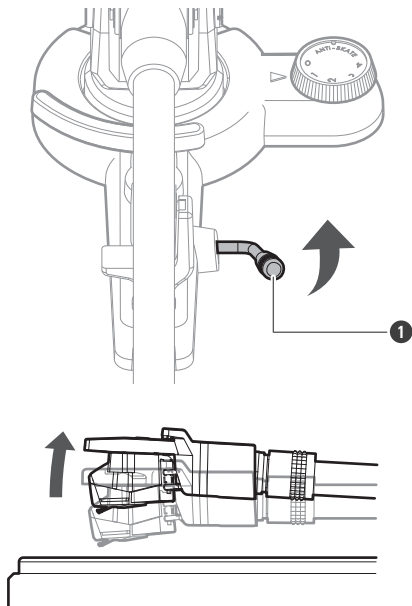
» Playback starts.

Manual operation

Lower the volume of the wireless headphones, wireless speakers, etc. sufficiently.

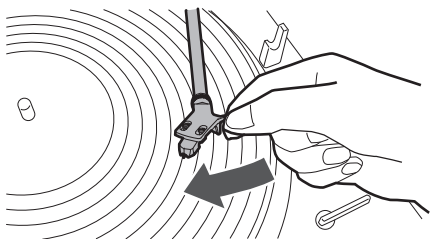
- 1** Raise the tonearm by lifting the tonearm lift control lever to the UP position.

Using the product with wireless connection



❶ Tonearm lift control lever

2 Position the tonearm over the desired location (groove) on the record.



3 Lower the tonearm by moving the tonearm lift control lever to the DOWN position.

- Alternatively, you can skip steps 1 and 2, and use your fingers to lift the headshell, move the tonearm over the desired location on the record, and then place the headshell down to begin playing the record.
- Do not subject the product to strong impact during playback.
- Do not switch the record size selection while the record is playing. Doing so can cause the product to malfunction.

» The tonearm descends slowly onto the record and play begins.

Pausing the record

- 1 After lowering the volume of the wireless headphones, wireless speakers, etc., sufficiently, lift the tonearm with the tonearm lift control lever.

Stopping the record

Once the record has been played until the end, the tonearm automatically returns to the tonearm rest. To manually stop the record while it is being played, follow the steps below.

1 Lower the volume of the wireless headphones, wireless speakers, etc. sufficiently.

2 Press the STOP button.

- Once the record stops playing, the tonearm automatically returns to the tonearm rest.

3 Remove the record after the platter has come to a complete stop.

4 Attach the protector.



- When the tonearm reaches the end (center) of the record, it will automatically lift and return to the tonearm rest. Do not interfere with its motion. Doing so can cause the product to malfunction. If the tonearm does not lift and return to the tonearm rest, press the STOP button to complete this operation.
- If the felt mat gets dirty, it can easily scratch the record, so remove the felt mat periodically and wipe off any dust.
- To prevent the record from becoming scratched or warped, remove it after use.
- Do not use a disk stabilizer.
- Do not use a platter other than the one provided.
- This product is not intended for DJs. Do not touch the record or the platter while the record is playing.

Using the product with a wired connection

According to the settings for the pre-amplifier selector switch, connect the RCA audio cable to an input jack on the connectable equipment you are using (amplifier, receiver, active speakers, sound card, etc.).

Setting pre-amplifier selector switch

- This product has a built-in phono equalizer function. Even if you do not have a phono amplifier or any other connectable equipment with a built-in phono amplifier, you can use this product by connecting it to active speakers.
- Use the pre-amplifier selector switch to set the output as shown below.



- When connecting the product to a Bluetooth device, set the pre-amplifier selector switch to LINE.

Device with phono input

Position of pre-amplifier selector switch	Where to connect the RCA audio cable
PHONO	Phono input jack and ground (earth) terminal of connectable equipment

Device without phono input

Position of pre-amplifier selector switch	Where to connect the RCA audio cable
LINE	AUX or line input jack of connectable equipment

PC sound card

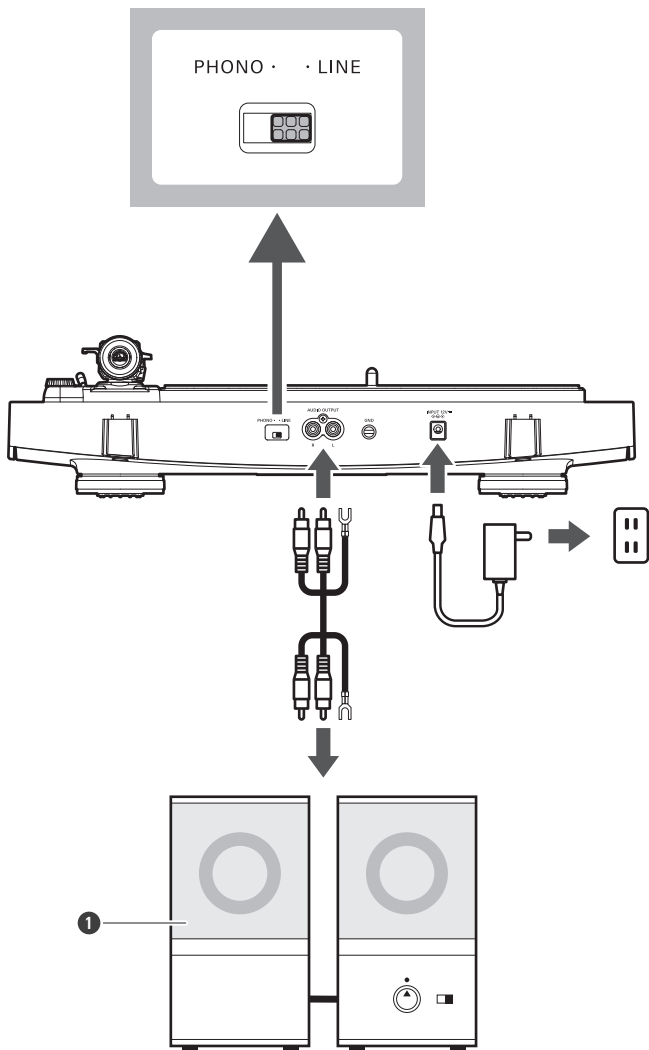
Position of pre-amplifier selector switch	Where to connect the RCA audio cable
LINE	Sound card's line input jack ^[1]

[1] An audio adapter (sold separately) may be required to connect the RCA audio cable to the PC sound card's line input jack.

Connecting to the active speaker (with the built-in amplifier)

- To connect this product directly to speakers, use active speakers.
- Some active speakers can only be connected with a conversion cable.

Using the product with a wired connection



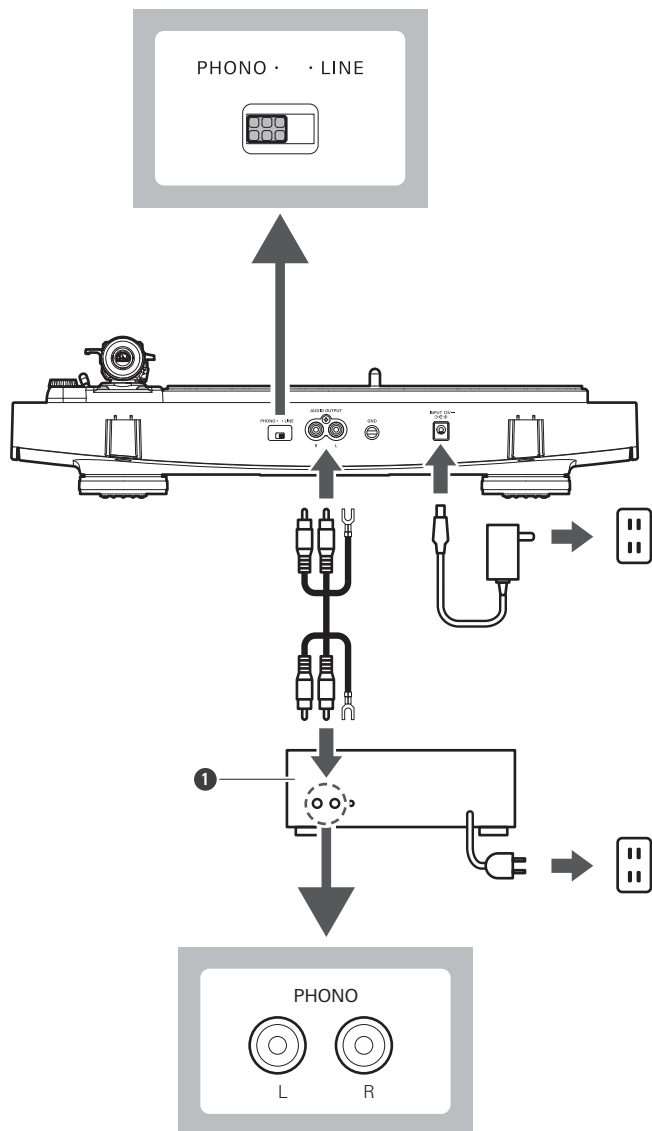
① Active speakers

Connecting to connectable equipment (amplifier, etc.)

The RCA audio cable's red jack is for the right (R) channel, and the white jack is for the left (L) channel.

Using the product with a wired connection

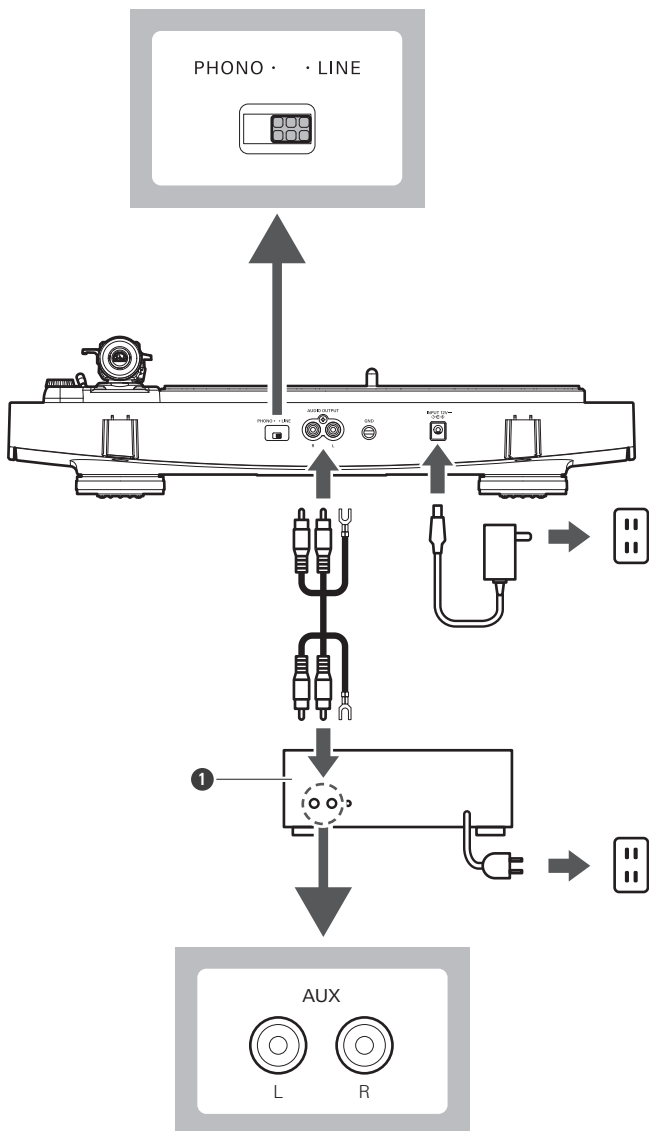
With PHONO input



1 Connectable equipment (amplifier, etc.)

Using the product with a wired connection

Without PHONO input



1 Connectable equipment (amplifier, etc.)



- Depending on the equipment you are connecting, a ground (earth) terminal may exist near the phono input jack. If this is the case, connect to it using the ground line from the RCA audio cable. This will help prevent a low humming noise that might otherwise be heard during playback.

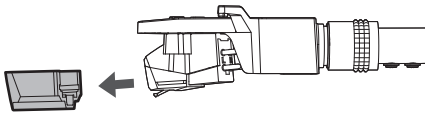
Before playing a record

1 Plug the AC adapter into an outlet.

- For safety, raise the tonearm by lifting the tonearm lift control lever to the UP position.
- This product does not have a power switch. A standby current is always running through the product, even when it is not being used; disconnect the AC adapter from the outlet when not using the product for a long period of time.
- Connect the AC adapter to the outlet without removing the cartridge's protector. If the platter has rotated, press the STOP button without touching the tonearm, and then wait until the tonearm returns to its original position.
- If you play a record immediately after plugging the AC adapter into an outlet, the sound that is played may be garbled. Wait a short time (about 30 seconds) after plugging the AC adapter into the outlet before playing a record.

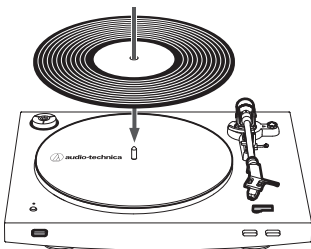
2 Remove the cartridge's protector.

- Pull the protector straight forward to remove it.



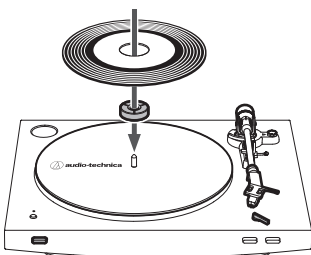
3 Place the record on the felt mat so that the center hole aligns with the spindle.

At 33-1/3 RPM



At 45 RPM

To play a 45 RPM record, attach the 45 RPM adapter.



Automatic operation

Lower the volume of the amplifier, active speakers, etc. sufficiently.

1 Select the size with the size selector.

- Select "12"" for an LP record with a 12" diameter, and "7"" for a 45 RPM record with a 7" diameter.



SIZE • 7"

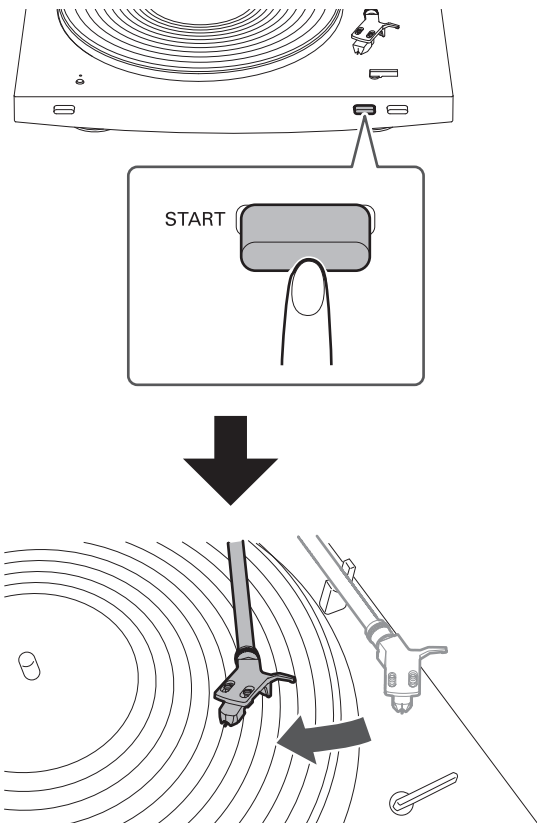
2 Press the speed with the platter speed button.

- Select "33" for a 33-1/3 RPM record and "45" for a 45 RPM record.



3 Press the START button.

- Do not subject the product to strong impact during playback.
- Do not switch the record size selection while the record is playing. Doing so can cause the product to malfunction.



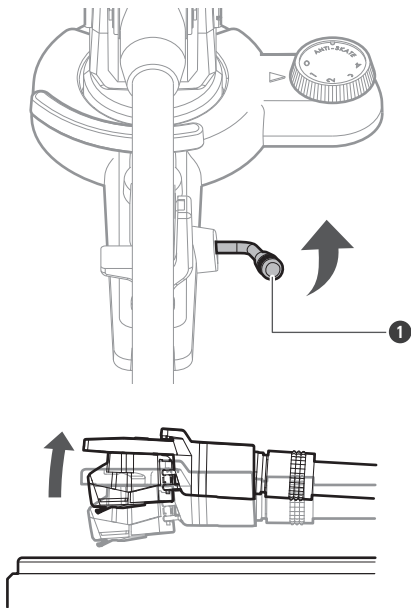
Using the product with a wired connection

» Playback starts.

Manual operation

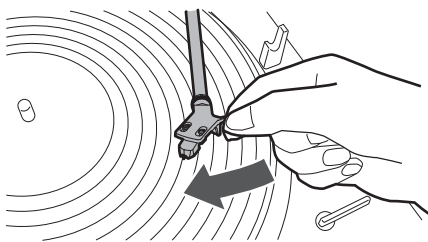
Lower the volume of the amplifier, active speakers, etc. sufficiently.

1 Raise the tonearm by lifting the tonearm lift control lever to the UP position.



1 Tonearm lift control lever

2 Position the tonearm over the desired location (groove) on the record.



3 Lower the tonearm by moving the tonearm lift control lever to the DOWN position.

- Alternatively, you can skip steps 1 and 2, and use your fingers to lift the headshell, move the tonearm over the desired location on the record, and then place the headshell down to begin playing the record.
- Do not subject the product to strong impact during playback.
- Do not switch the record size selection while the record is playing. Doing so can cause the product to malfunction.

» The tonearm descends slowly onto the record and play begins.

Pausing the record

- 1** After lowering the volume of the amplifier, active speakers, etc., sufficiently, lift the tonearm with the tonearm lift control lever.

Stopping the record

Once the record has been played until the end, the tonearm automatically returns to the tonearm rest. To manually stop the record while it is being played, follow the steps below.

- 1** Lower the volume of the amplifier, active speakers, etc. sufficiently.
- 2** Press the **STOP** button.
 - Once the record stops playing, the tonearm automatically returns to the tonearm rest.
- 3** Remove the record after the platter has come to a complete stop.
- 4** Attach the protector.



- When the tonearm reaches the end (center) of the record, it will automatically lift and return to the tonearm rest. Do not interfere with its motion. Doing so can cause the product to malfunction. If the tonearm does not lift and return to the tonearm rest, press the STOP button to complete this operation.
- If the felt mat gets dirty, it can easily scratch the record, so remove the felt mat periodically and wipe off any dust.
- To prevent the record from becoming scratched or warped, remove it after use.
- Do not use a disk stabilizer.
- Do not use a platter other than the one provided.
- This product is not intended for DJs. Do not touch the record or the platter while the record is playing.

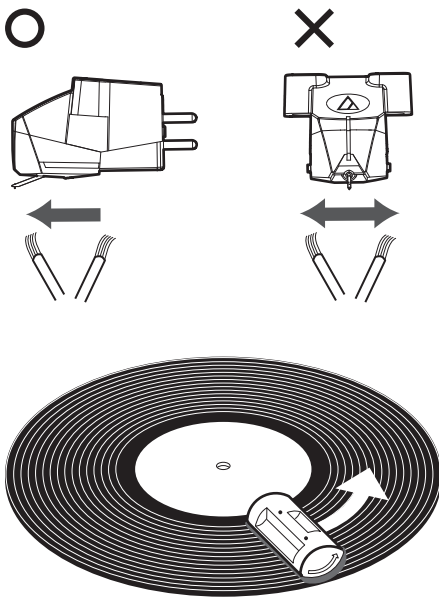
Care

Turntable body

- When the turntable body is dirty or dusty, first disconnect the AC adapter, and then wipe off the dirt and dust with a soft, dry cloth.
- Do not use benzenes, thinners, etc.
- If the felt mat gets dirty, it can easily scratch the record, so remove the felt mat periodically and wipe off any dust.
- When storing the product for a long time, disconnect the AC adapter from the outlet and wrap the equipment in plastic; do not allow it to become damp.

Stylus tip and records

- If dirt and grime are stuck to the stylus tip, clean it as needed. Before cleaning, disconnect the AC adapter from the outlet.
- We recommend using a stylus cleaner (sold separately by Audio-Technica) if the stylus tip is considerably dirty. Clean the stylus tip by moving the brush from the rear to the front of the stylus tip.
- For more details on record and stylus cleaners (sold separately by Audio-Technica), visit the Audio-Technica website (<https://www.audio-technica.com/>).



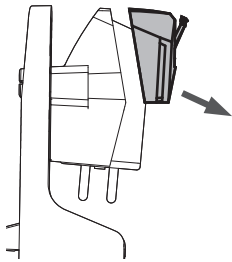
Replacing the stylus

Removing the stylus

- In addition to the deterioration of sound quality, records may also be damaged as the cartridge's stylus tip wears down.
- As a rule of thumb, replace the stylus after 300 hours of use.
- Be sure to disconnect the product's AC adapter from the outlet.
- When replacing the stylus, hold the headshell and the cartridge body firmly.

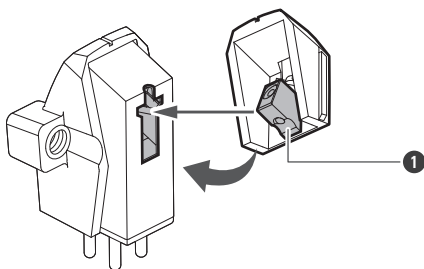
1 Release the headshell from the tonearm.

2 After removing the cartridge's protector, remove the stylus by pulling it in the direction of the arrow without touching the cantilever, stylus tip, or magnet.



Installing a new replacement stylus

1 Mount the new replacement stylus to the cartridge.



1 Align the position of the inner protrusion.

2 Mount the headshell onto the tonearm.

Replacing a cartridge

- Refer to the user manual for the cartridge that you will be using if you are replacing the cartridge with a commercially available one.
- After you replace the old cartridge with a new one, you must readjust the overhang and the tonearm's balance and tracking force.

1 Release the headshell from the tonearm.

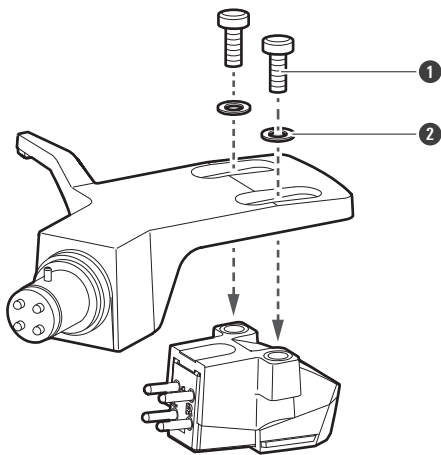
2 Remove the stylus from the cartridge.

3 Remove the lead tips.

- Be careful not to damage the lead tips.

4 Using a commercially sold, non-metallic slotted screwdriver, remove the installation screws, and then remove the cartridge from the headshell.

5 Refer to the user manual for the new cartridge for mounting instructions and connecting to the lead tips.



1 Installation screws

2 Plastic washer

6 Using a commercially sold, non-magnetic slotted screwdriver, loosen the screws in both places, and then adjust the overhang.

- Refer to "Adjusting the overhang" (p. 40).
- After the adjustments are complete, tighten the screws securely.

7 Attach the headshell to the tonearm.

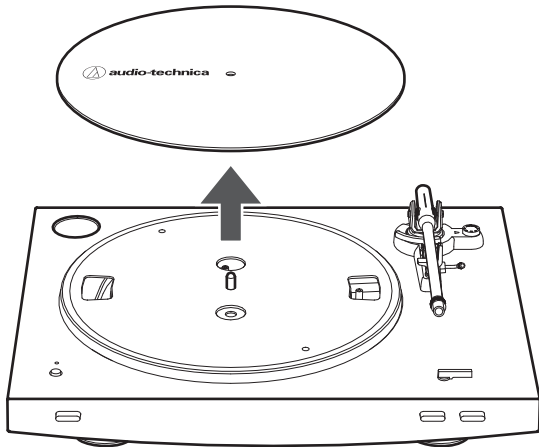
8 Adjust the tonearm balance and tracking force.

- Refer to "Setting tonearm balance" (p. 14) and "Setting tracking force" (p. 15) to adjust them.

Replacing the belt

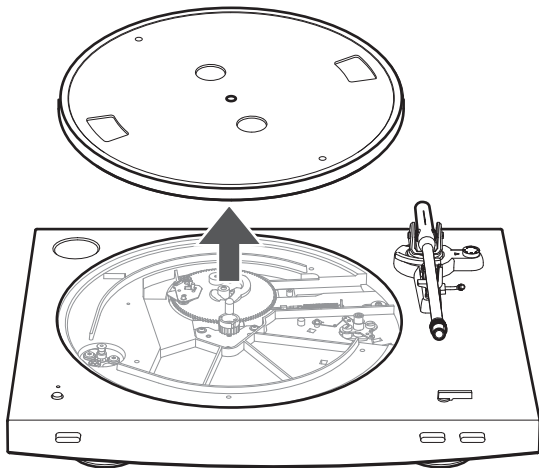
- The belt is a consumable part. Replace the belt if the speed of playback slows down or irregular rotation occurs. As a rule of thumb, we suggest replacing the belt once a year.
- Before replacing the belt, be sure to disconnect the product's AC adapter from the outlet.

1 Remove the felt mat.



2 First remove the belt from the motor pulley (brass-colored), remove the platter, turn the platter over, and then remove the old belt.

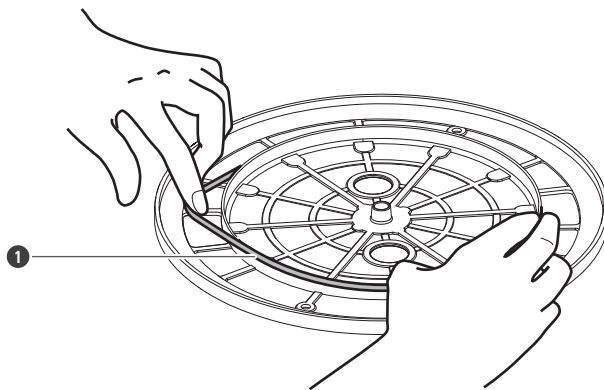
- Place your thumbs in the openings and pull up strongly.



3 Place the new belt around the inner circle.

- Be careful not to twist the belt while doing this.

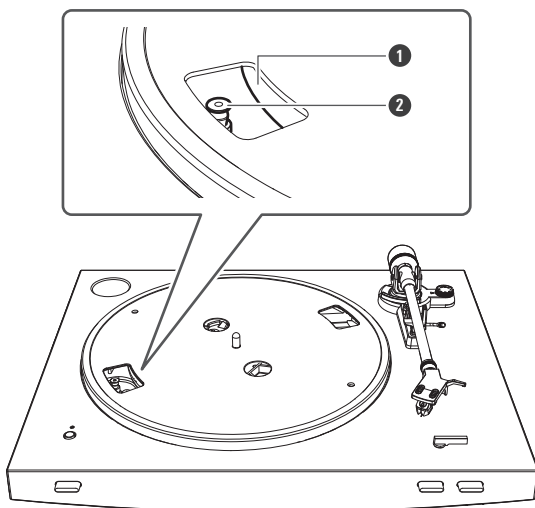
Replacing the belt



1 Belt

4 Attach the platter.

- Align one of the openings with the position of the motor pulley (brass-colored).



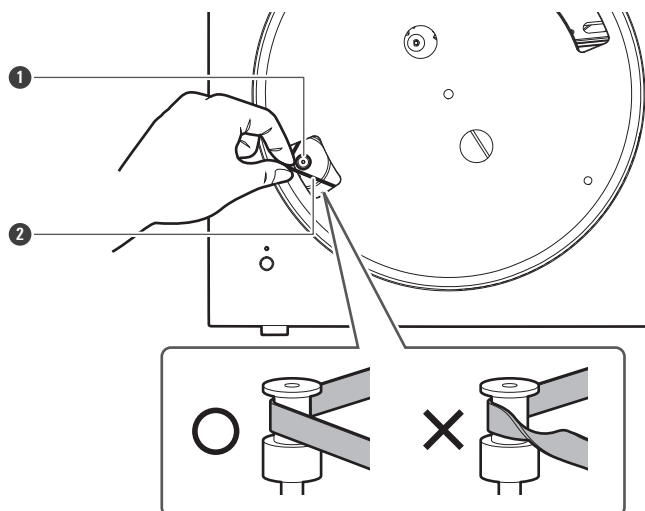
1 Opening

2 Motor pulley (brass-colored)

5 Place the belt on the motor pulley (brass-colored).

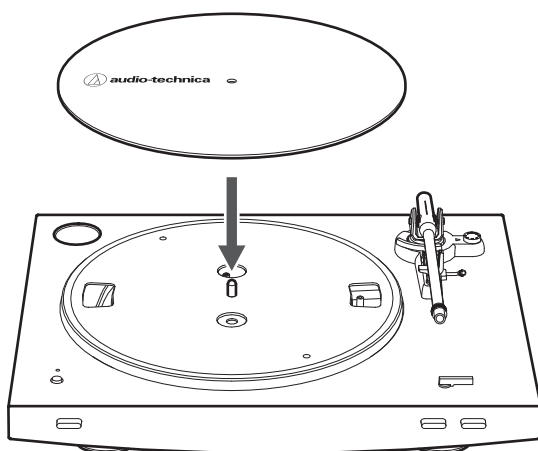
- Grasp the belt that was attached in step 3 and, while pulling it, place it on the brass motor pulley.

Replacing the belt



- ① Motor pulley (brass-colored)
- ② Belt

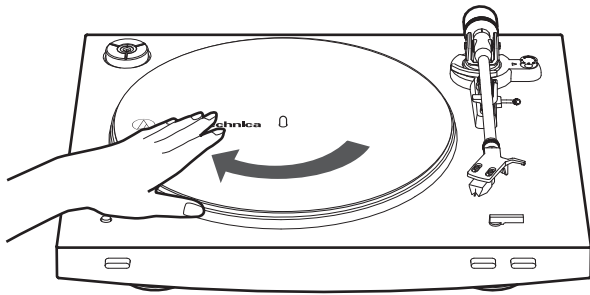
6 Set the felt mat on the platter.



7 Using your hands, rotate the platter ten times.

- Raise the tonearm lift control lever to lift the tonearm. Slowly rotate the turntable ten times by hand in the direction of the arrow.
- You may want to hold the tonearm to prevent it from moving. This step is for getting rid of any twists in the belt and making sure the belt rides smoothly along the drive rim on the underside of the platter.

Replacing the belt

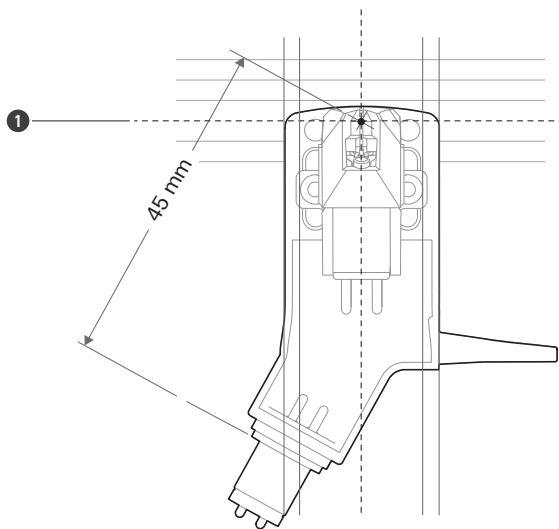


Adjusting the overhang

The position of the cartridge must be accurately determined (adjusting the overhang) when mounting a cartridge or headshell other than the one provided.

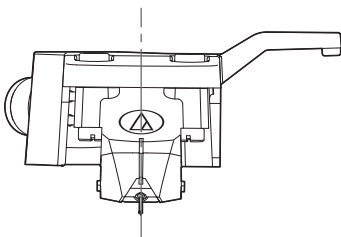
1 Mount the cartridge so it is parallel to the headshell.

- Match up the positions of the cartridge and headshell to the overhang adjustment guide on the figure and mount the cartridge so it is parallel to the headshell.
- This illustration represents the actual size.
- Place the headshell on the figure, and then adjust the stylus tip of the new cartridge along the lines for the "Stylus tip" of the cartridge.



1 Stylus tip

2 Mount the cartridge so it is vertical to the headshell.



When the turntable is moved

Using the product's original packaging materials, pack the turntable in the reverse order of unpacking it. If you do not have the original packaging materials, take the following measures:

- After disconnecting the AC adapter from the outlet, remove the felt mat and platter, and then wrap the turntable body so that it does not get damaged. If the product is moved while the platter is still seated, it may damage the spindle.
- Remove the counterweight.
- Remove the headshell from the tonearm with the cartridge's protector attached, and then wrap the entire headshell assembly so that it does not get damaged.
- Use a string or something similar to tie the tonearm to the rest so that it does not move.
- Wrap the turntable body with paper or a soft cloth so that it does not get damaged.

Troubleshooting

? The platter does not spin.

- Is the AC adapter connected to the outlet? Connect AC adapter to the outlet.
- Has the belt slipped from the platter? Correctly place the belt on the platter.
- Is the belt placed on the motor pulley? Check that the belt is placed on the motor pulley (brass-colored) correctly.
- Has the belt been damaged? Replace it with a new belt.

? The platter spins, but there is no sound or the volume is not loud enough.

- Is the cartridge's protector still attached to the cartridge? Remove the cartridge's protector.
- Is the tonearm lifted? Lower the tonearm.
- Are the function settings and input for connected equipment (amplifier, etc.) selected correctly? Check whether the settings for the connected equipment are correct.
- Is the stylus damaged? Check the stylus and replace it, if necessary.
- Is the stylus placed correctly on the body of the cartridge? Check the cartridge and adjust it, if necessary.
- Are the setting positions for the pre-amplifier selector switch correct? Check that the pre-amplifier selector switch is set correctly to match the input on the amplifier.
- If there is no sound, or if the volume is not loud enough, the product is set to the "PHONO" position and connected to the amplifier's AUX/LINE input.
- If the volume is too loud or is distorted, the product is set to the "LINE" position and connected to the amplifier's PHONO input.
- Is the tracking force set too heavy? Adjust the tracking force.

? The stylus skips.

- Is the tracking force set too light or too heavy? Adjust the tracking force.
- Is the anti-skate set improperly? Verify anti-skate is set for same value as cartridge tracking force.
- Is the record warped? Check the record.
- Is the record scratched? Check the record.
- Is the stylus dirty? Excessive accumulation of dirt and dust on the stylus affects the record's playback quality.

? There is howling.

- Is the product picking up excessive vibrations from the floor, surfaces of the walls, or nearby speakers? Decrease the vibrations or mount the product on a surface that is not subject to the effects of vibrations.

Troubleshooting

- Is the product mounted on an unstable surface? Check whether the surface on which the product is mounted is suitable.

⓪ There is noise when the record is playing.

- Is there dust on the cartridge's stylus tip? If dust is stuck to the stylus tip, clean it with a commercially sold brush.

⓪ The sound when the record is playing is either too fast or too slow.

- Are the speed settings for the product correct? Use the platter speed button to select the correct speed for the type of record being played.

⓪ Playing speed slows down or there is irregular rotation.

- Is the belt stretched out? Replace it with a new belt.

⓪ Humming noise is heard during playback.

- Is the ground line connected correctly? Make sure the ground line is properly connected.
- If the noise continues, remove the ground line. This may reduce the noise.
- Is the headshell attached to the tonearm firmly? Make sure the locking ring is tight.

⓪ Unable to pair

- Confirm that the Bluetooth device communicates using ver. 2.1+EDR or higher.
- Place the product and the Bluetooth device within 1 m (3.3') of each other.

⓪ When the product is connected to the Bluetooth device, no sound is heard or the sound is faint.

- Turn on the power of the product and the Bluetooth device.
- Turn up the volume on the product and the Bluetooth device.
- Keep the space between the product and the Bluetooth device free from obstacles such as people, metal, or walls and place the product and device closer to each other.

⓪ Sound is distorted/Noise is heard/Sound cuts out

- Turn down the volume on the product and the Bluetooth device.
- Keep the product away from devices that emit radio waves, such as microwaves and wireless LAN devices.

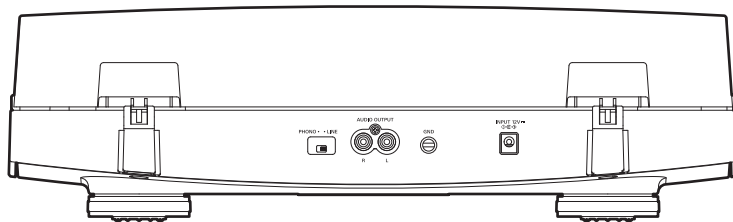
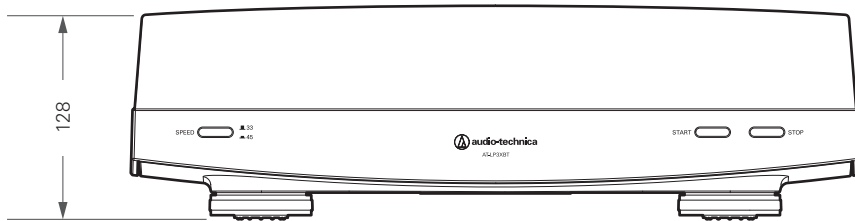
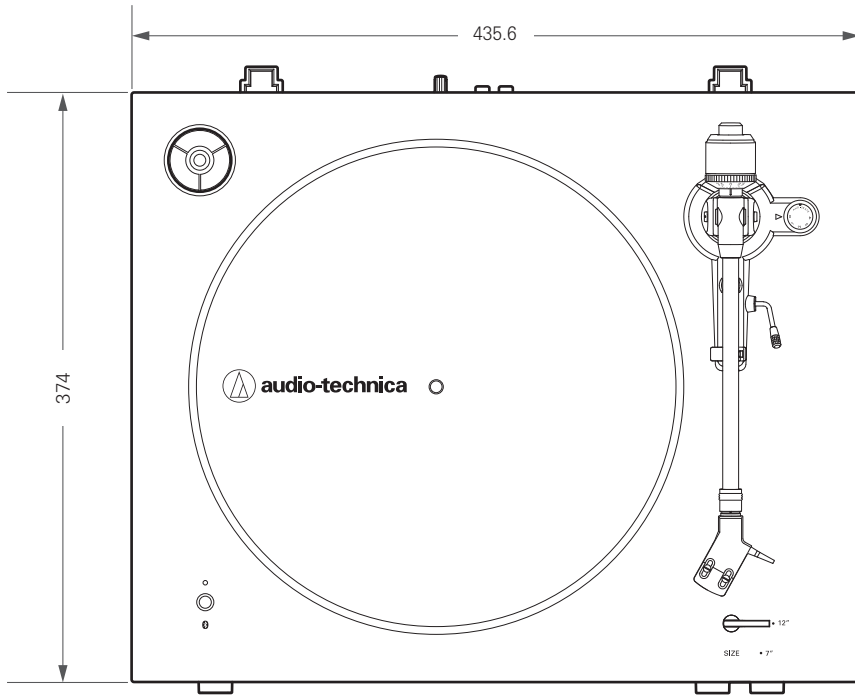
Troubleshooting

- Keep the product away from TVs, radios, and devices with built-in tuners. The operation of these devices can be affected by the product.
- Keep the space between the product and the Bluetooth device free from obstacles such as people, metal, or walls and place the product and device closer to each other.



- With regard to the operation of Bluetooth devices, read the user manual for your Bluetooth device, since the operation procedure differs depending on the device.

Dimensions



(Unit: mm)

Specifications

Communication specifications

Communication system	Bluetooth version 5.2
RF output	2.5 mW EIRP
Maximum communication range	Line of sight - approx. 10 m (33')
Frequency band	2.402 GHz to 2.480 GHz
Modulation method	GFSK, Pi/4DQPSK, 8DPSK
Compatible Bluetooth profile	A2DP
Supported codec	Qualcomm® aptX™ Adaptive audio, Qualcomm® aptX™ audio, SBC

Turntable specifications

Type	Belt-drive, fully automatic operation
Motor	DC motor
Drive method	Belt drive
Speeds	33-1/3 RPM, 45 RPM
Turntable platter	Die-cast aluminum
Wow and flutter	< 0.2% WRMS (33 RPM) at 3 kHz
Signal-to-noise ratio	> 60 dB
Output levels	PHONO: 4.0 mV nominal at 1 kHz, 5 cm/sec LINE: 252 mV nominal at 1 kHz, 5 cm/sec
Phono Pre-amp gain	36 dB nominal, RIAA equalized

Tonearm specifications

Type	Static balanced straight tonearm
Effective length	221.5 mm
Overhang	19 mm
Maximum tracking error angle	Less than 3.0°
Stylus pressure adjustment range	1 to 4 g
Applicable cartridge weight range (including headshell)	14.5 to 20 g

Cartridge and headshell specifications

Cartridge Model	AT-VM95C
Cartridge Type	VM
Recommended load impedance	47,000 ohms
Output voltage	4.0 mV (mV at 1 kHz, 5 cm/sec)
Stylus	0.6 mil bonded conical
Cantilever	Aluminum pipe
Tracking force range	1.8 to 2.2 g (standard 2.0 g)
Cartridge weight	6.1 g (0.22 oz)
Headshell model	AT-HS3 BK
Headshell weight	11.1 g (0.39 oz) (including lead wires) 10.3 g (0.36 oz) (excluding lead wires)
Headshell overhang adjustment	± 8 mm

General specifications

Power supply requirements	100 to 240 V, 50/60 Hz, 0.6 A Max.
Power consumption	2 W
AC Adapter	12 V, 0.5 A
Dimensions	435.6 mm (17") × 374 mm (15") × 128 mm (5.0") (W × D × H)
Weight	5.0 kg (11 lbs)
Accessories	Dust cover, Felt mat, Platter (with drive belt), Dust cover hinges, Counterweight, Headshell (AT-HS3 BK) with VM stereo cartridge (AT-VM95C), 45 RPM adapter, RCA audio cable (Approx. 1.0 m (3.3')), AC adapter (Approx. 1.5 m (4.9'))
Replacement stylus (sold separately)	AT-VMN95C
Replacement headshell (sold separately)	AT-HS3 BK
Replacement belt (sold separately)	AT-LP3XBT exclusive belt

- For product improvement, the product is subject to modification without notice.

Trademarks

- The **Bluetooth**[®] word mark and logos are registered trademarks owned by Bluetooth SIG, Inc. and any use of such marks by Audio-Technica Corporation is under license. Other trademarks and trade names are those of their respective owners.
- Qualcomm aptX and Qualcomm cVc are products of Qualcomm Technologies, Inc. and/or its subsidiaries. Qualcomm is a trademark of Qualcomm Incorporated, registered in the United States and other countries. aptX and cVc are trademarks of Qualcomm Technologies International, Ltd., registered in the United States and other countries.



Qualcomm[®]
aptX™



Qualcomm[®] aptX™
Adaptive

株式会社オーディオテクニカ

〒194-8666 東京都町田市西成瀬2-46-1
www.audio-technica.co.jp

Audio-Technica Corporation

2-46-1 Nishi-naruse, Machida, Tokyo 194-8666, Japan
www.audio-technica.com
©2022 Audio-Technica Corporation
Global Support Contact: www.at-globalsupport.com