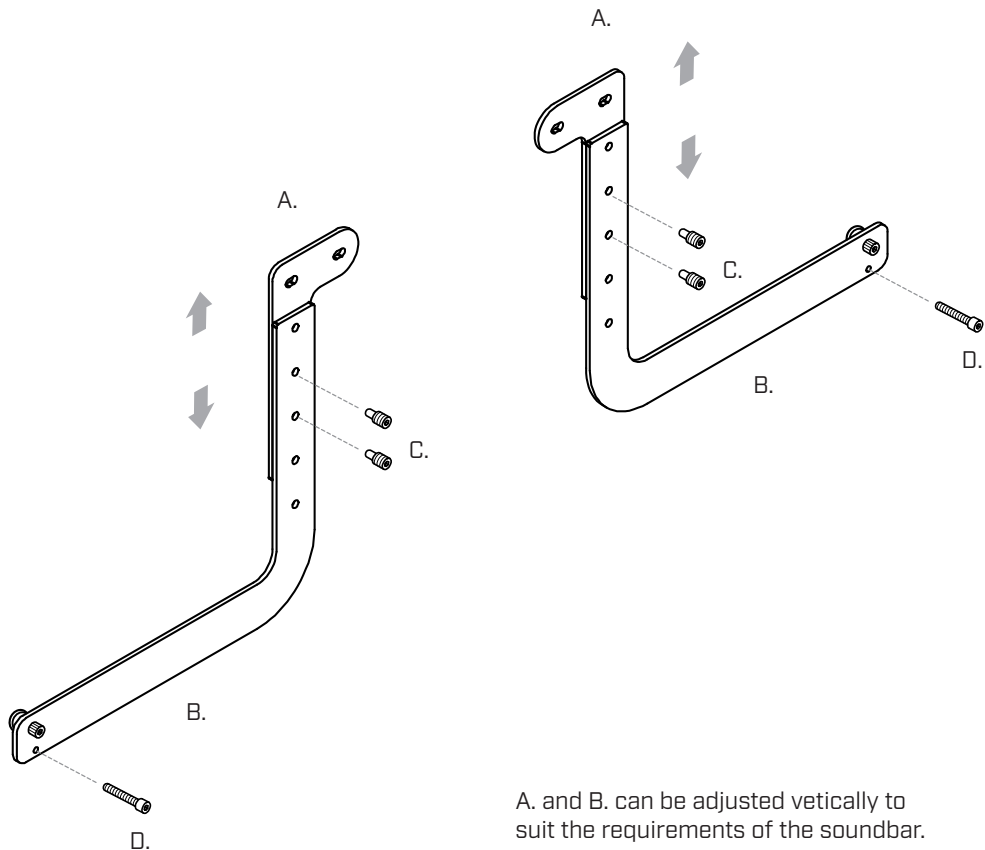


Assembly instructions

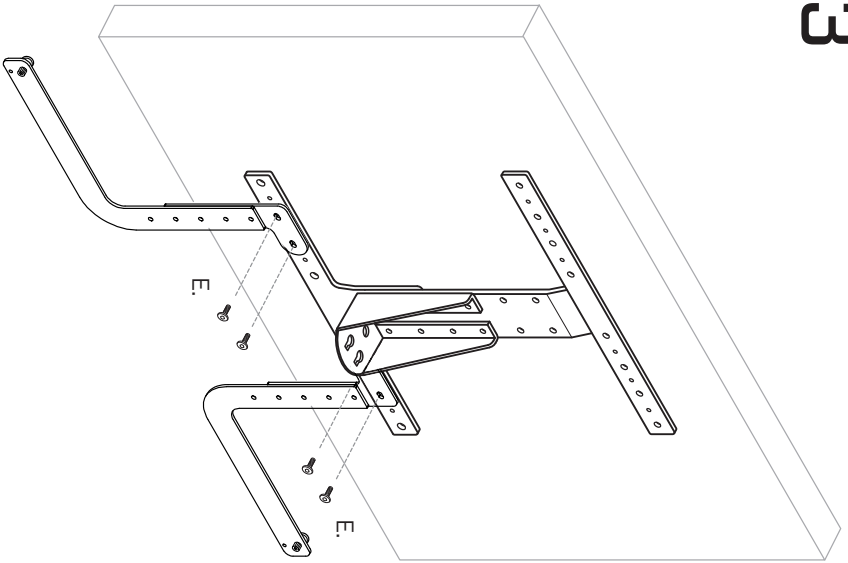
Stage soundbar for BS models



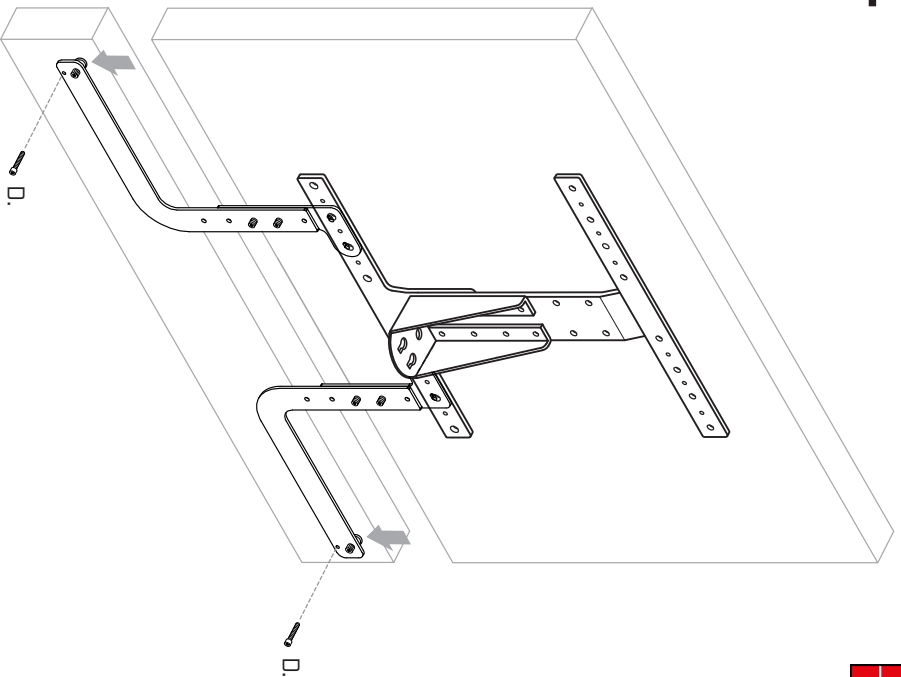
A. and B. can be adjusted vertically to suit the requirements of the soundbar.



3



4



Attach the soundbar and use the D. screws to level its position.

