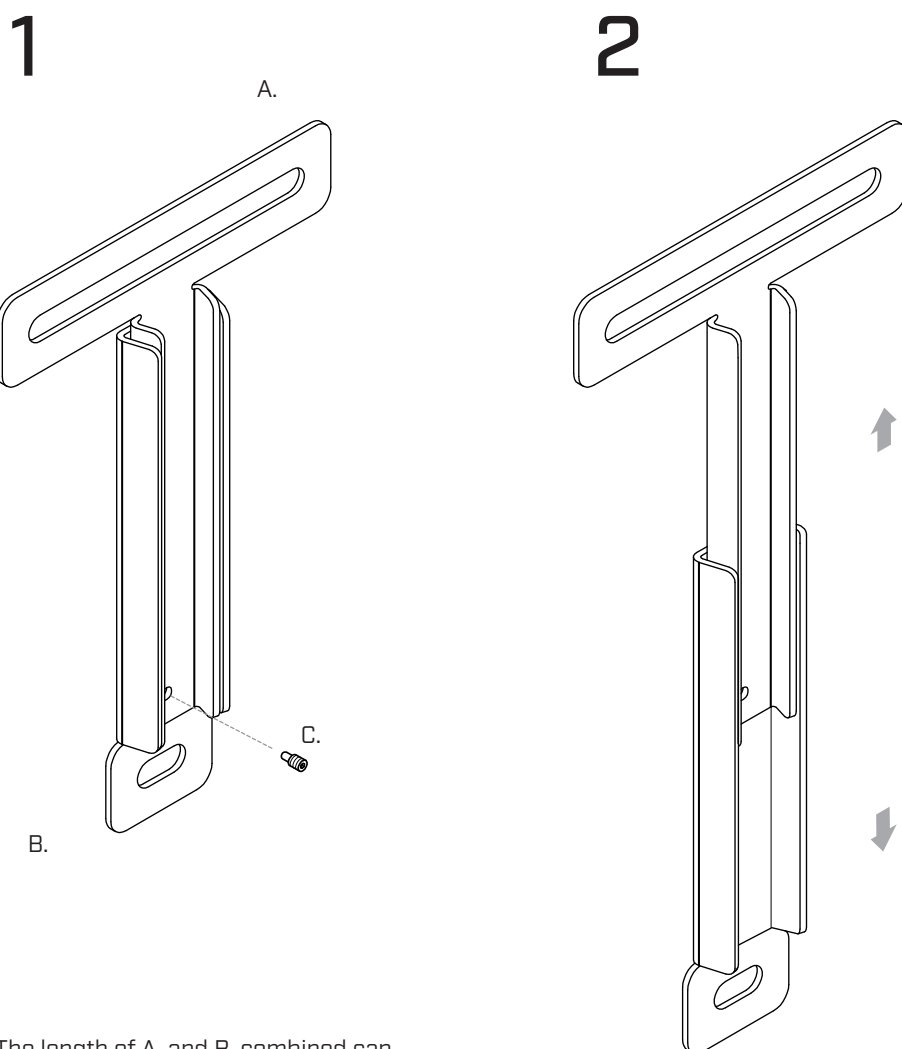


Assembly instructions

Main soundbar for BS models

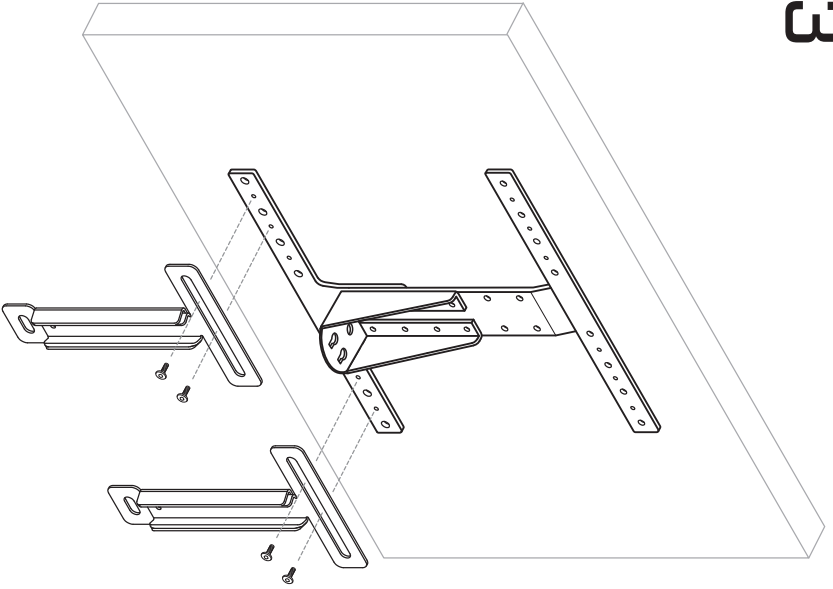


The length of A. and B. combined can be adjusted to suit the requirements of the TV and the soundbar.

An extended version with a reach up to 600 mm is also available.

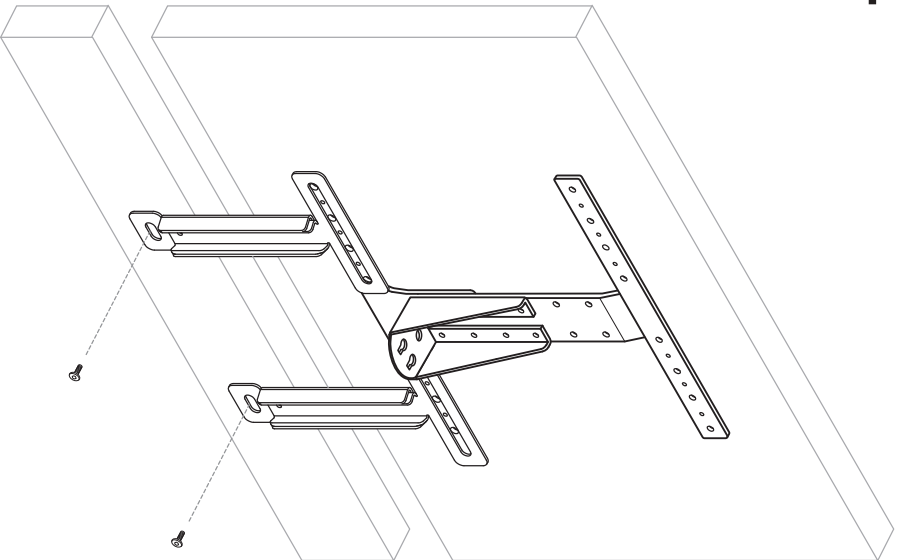


3



A. and B. combined can be flipped upside down
- if needed - to fit attachment of soundbar.

4



Bulow Stand