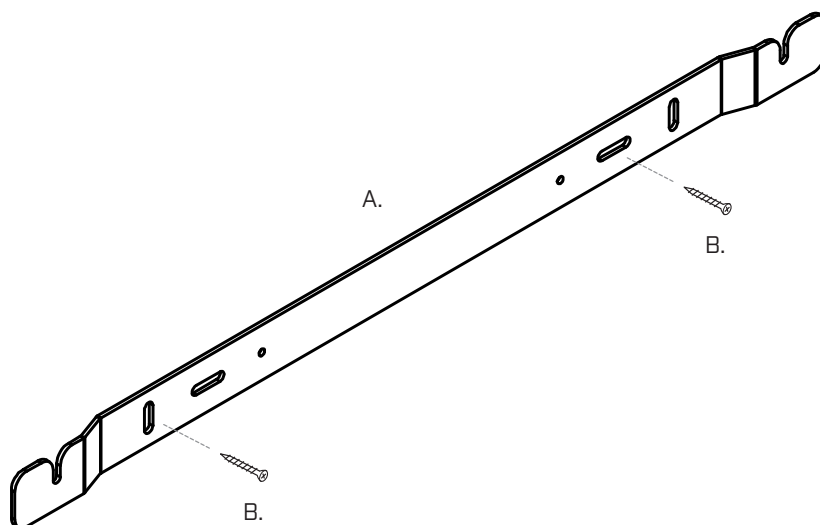
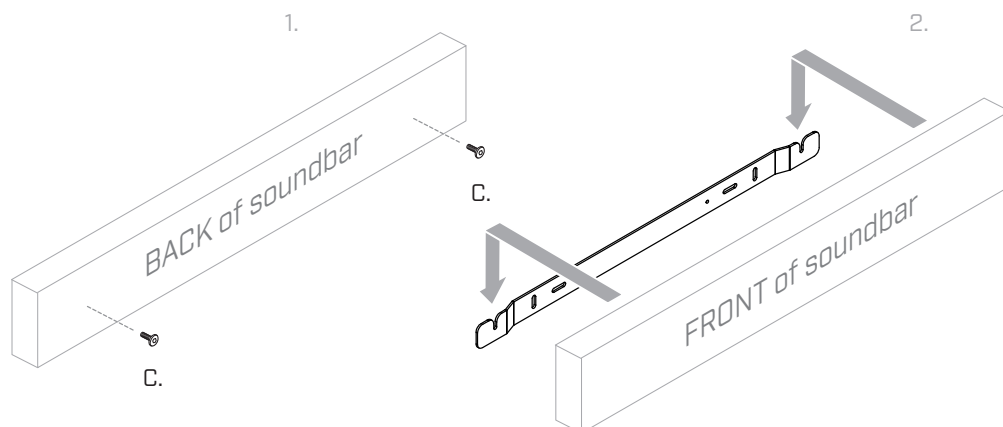


# Assembly instructions

## Soundbar: Wall and BS models



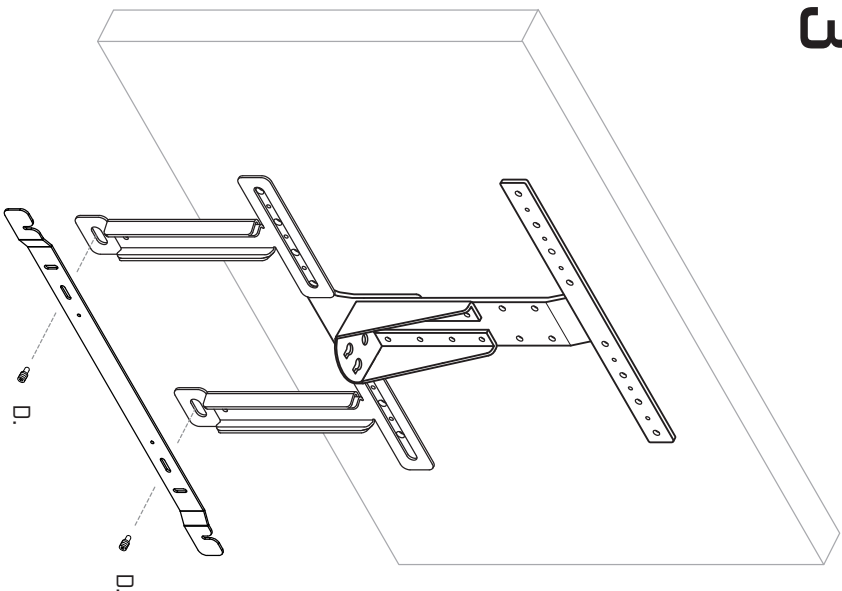
The B. screws are used to install the bracket on the wall.



The C. screws are used on the back of the soundbar and afterwards fitted into the wall bracket.

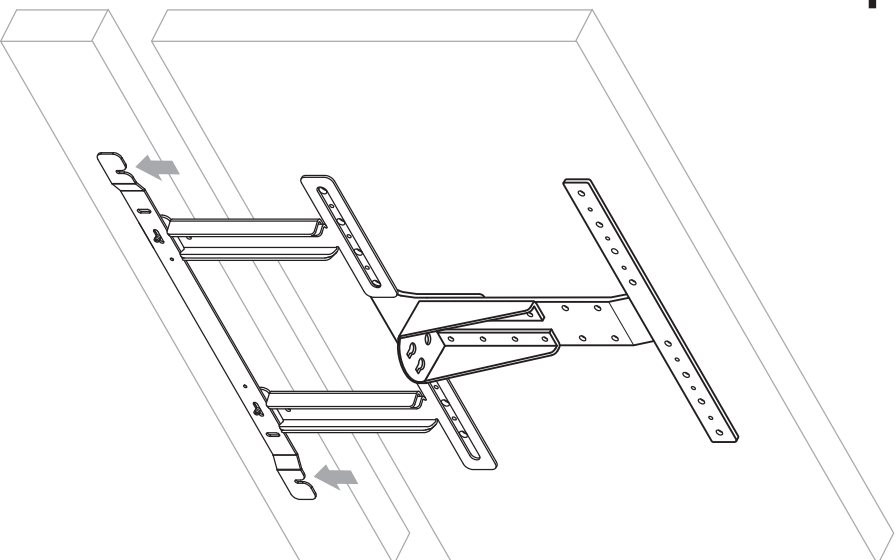


# 3



The D. screws used to attach the wall option can be found in the main soundbar purchase/option.

# 4



Bulow Stand