

Elegant design and optimal weather resistance thanks to its IP 66 waterproof standard.

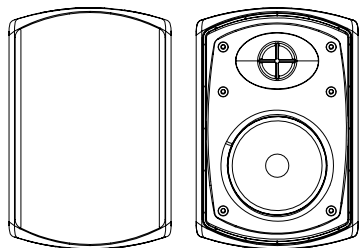
Discover Elipson's RAIN range of outdoor loudspeakers, the ideal solution for providing a safe and secure sound experience on your terrace. Available in three different sizes - RAIN 4 (80W), RAIN 6 (120W) and RAIN 8 (150W) - they feature a 4", 6" and 8" mid-bass drive units respectively.

Each speaker offers outstanding sound quality, elegant design and optimal weather resistance thanks to its IP 66 waterproof standard.

Their ruggedness means you can enjoy superior sound outdoors, even in extreme weather conditions ranging from  $-25^{\circ}\text{C}$  to  $+70^{\circ}\text{C}$ . The RAIN speakers have an ultra-rigid, UV-treated cabinet and a rustproof grille. Their modern and elegant design will blend harmoniously into your outdoor environment.

The three sizes available, the elegant design, the sturdiness and the IP 66 waterproof standard make them an ideal choice for safe patio sound, whatever the weather conditions.





## TECHNICAL



### Type

2-way sealed outdoor speaker

### Drive units

Tweeter : 1" silk dome

Mid-bass : 4" PP cone

### Max power

80 W

### Frequency response ( $\pm 3\text{dB}$ )

100Hz - 20kHz

### Sensitivity

87dB / 1W / 1m

### Impedance

8 Ohms

### Crossover frequency

3250 Hz

### IP code

IP66

### Min. temperature

-25°C

### Max. temperature

+70°C (25% humidity)

### Humidity resistance

-40°C under 95%

### Treatments

Anti-rust, anti-UV

## DIMENSIONS WEIGHT

### Dimensions w/o bracket

W154 x H230 x D145 mm

### Net weight (unit)

2,1 kg

### Dimensions w/ bracket

W154 x H230 x D170 mm

## PACKAGING

### Dimensions packaging

W435 x D230 x H310 mm

### Gross weight (pair)

5,1 kg

## COLOURS - PRODUCTS CODES



**Colours**  
Black

**SKU**  
ELIRAI4BK

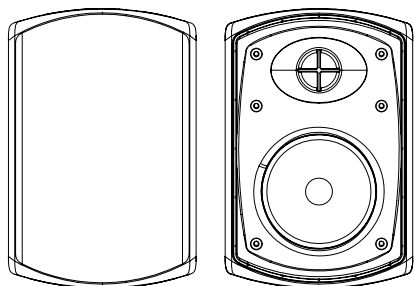
**EAN**  
3760221804333



**Colours**  
White

**SKU**  
ELIRAI4WT

**EAN**  
3760221804364



## TECHNICAL



### Type

2-way sealed outdoor speaker

### Drive units

Tweeter : 1" silk dome  
Mid-bass : 6.5" PP cone

### Max power

120 W

### Frequency response ( $\pm 3\text{dB}$ )

80Hz - 20kHz

### Sensitivity

89dB / 1W / 1m

### Impedance

8 Ohms

### Crossover frequency

3000 Hz

### IP code

IP66

### Min. temperature

-25°C

### Max. temperature

+70°C (25% humidity)

### Humidity resistance

-40°C under 95%

### Treatments

Anti-rust, anti-UV

## DIMENSIONS WEIGHT

### Dimensions w/o bracket

W195 x H285 x D183 mm

### Net weight (unit)

3 kg

### Dimensions w/ bracket

W195 x H285 x D205 mm

## PACKAGING

### Dimensions packaging

W540 x D275 x H375 mm

### Gross weight (pair)

7,5 kg

## COLOURS - PRODUCTS CODES



**Colours**  
Black

**SKU**  
ELIRAI6BK

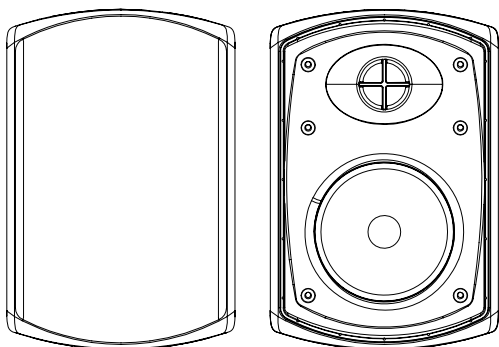
**EAN**  
3760221804340



**Colours**  
White

**SKU**  
ELIRAI6WT

**EAN**  
3760221804371



## TECHNICAL



### Type

2-way sealed outdoor speaker

### Drive units

Tweeter : 1" silk dome

Mid-bass : 8" PP cone

### Max power

150 W

### Frequency response ( $\pm 3\text{dB}$ )

70Hz - 20kHz

### Sensitivity

90dB / 1W / 1m

### Impedance

8 Ohms

### Crossover frequency

3200 Hz

### IP code

IP66

### Min. temperature

-25°C

### Max. temperature

+70°C (25% humidity)

### Humidity resistance

-40°C under 95%

### Treatments

Anti-rust, anti-UV

## DIMENSIONS WEIGHT

### Dimensions w/o bracket

W244 x H355 x D230 mm

### Net weight (unit)

4,1 kg

### Dimensions w/ bracket

W244 x H355 x D250 mm

## PACKAGING

### Dimensions packaging

W635 x D317 x H445 mm

### Gross weight (pair)

10,5 kg

## COLOURS - PRODUCTS CODES



**Colours**  
Black

**SKU**  
ELIRAI8BK

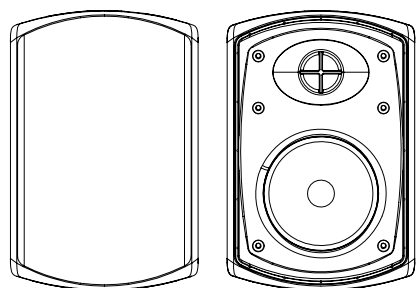
**EAN**  
3760221804357



**Colours**  
White

**SKU**  
ELIRAI8WT

**EAN**  
3760221804388



### TECHNICAL



#### Type

2-way sealed outdoor speaker

#### Drive units

Tweeter : 1" silk dome  
Mid-bass : 6.5" PP cone

#### Max power

120 W

#### Available powers in 100V mode

5 W / 10 W / 20 W / 40 W

#### Available powers in 70V mode

2,5 W / 5 W / 10 W / 20 W

#### Frequency response (±3dB)

80Hz - 20kHz

#### Sensitivity

89dB / 1W / 1m

#### Impedance

8 Ohms

#### Crossover frequency

3000 Hz

#### IP code

IP66

#### Min. temperature

-25°C

#### Max. temperature

+70°C (25% humidity)

#### Humidity resistance

-40°C under 95%

#### Treatments

Anti-rust, anti-UV

### DIMENSIONS WEIGHT

#### Dimensions w/o bracket

W195 x H285 x D183 mm

#### Net weight (unit)

3,5 kg

#### Dimensions w/ bracket

W195 x H285 x D205 mm

### PACKAGING

#### Dimensions packaging

W570 x D300 x H375 mm

#### Gross weight (pair)

8,5 kg

### COLOURS - PRODUCTS CODES



**Colours**  
Black

**SKU**  
ELIRAI6BK100V

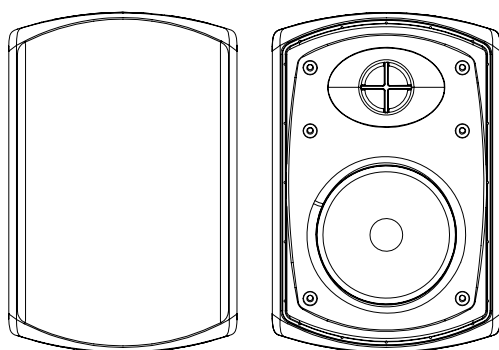
**EAN**  
3700795199244



**Colours**  
White

**SKU**  
ELIRAI6WT100V

**EAN**  
3700795199213



### TECHNICAL



#### Type

2-way sealed outdoor speaker

#### Drive units

Tweeter : 1" silk dome

Mid-bass : 8" PP cone

#### Max power

150 W

#### Available powers in 100V mode

6,25 W / 12,5 W / 25 W / 50 W

#### Available powers in 70V mode

3,12 W / 6,25 W / 12,5 W / 25 W

#### Frequency response ( $\pm 3$ dB)

70Hz - 20kHz

#### Sensitivity

90dB / 1W / 1m

#### Impedance

8 Ohms

#### Crossover frequency

3200 Hz

#### IP code

IP66

#### Min. temperature

-25°C

#### Max. temperature

+70°C (25% humidity)

#### Humidity resistance

-40°C under 95%

#### Treatments

Anti-rust, anti-UV

### DIMENSIONS WEIGHT

#### Dimensions w/o bracket

W244 x H355 x D230 mm

#### Net weight (unit)

4,6 kg

#### Dimensions w/ bracket

W244 x H355 x D250 mm

### PACKAGING

#### Dimensions packaging

W670 x D345 x H445 mm

#### Gross weight (pair)

11,5 kg

### COLOURS - PRODUCTS CODES



**Colours**  
Black

**SKU**  
ELIRAI8BK100V

**EAN**  
3700795199220



**Colours**  
White

**SKU**  
ELIRAI8WT100V

**EAN**  
3700795199237