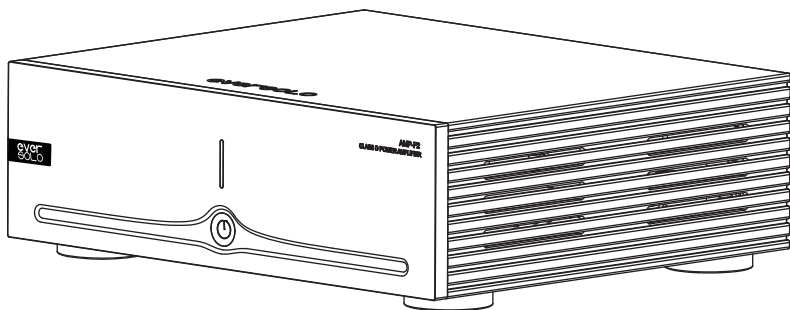


STARKE
×
EVERSOLO

PRODUCT MANUAL

产品说明手册

AMP-F2 立体声功放
Stereo AMP



Starke Sound Inc.

17810 S.Main St., Suite B, Gardena, CA 90248
starke-sound.com

Content/ 目录

01	Introduction	P1
02	Specification	P2
03	Hardware	P3
04	Downloads	P7

01	产品简介	P8
02	性能参数	P9
03	硬件端口介绍	P10
04	资源下载	P14

Introduction

Sincerity and efficiency

For true audiophile performance.

Work with united Strength of Starke Sound's team and Eversolo's team, base on Starke Sound NS600 amp module, raising its sampling rate to 600 kHz and further reducing noise with a newly designed SAPS switch mode power supply of 600 watts. Implementing the high efficiency of class D with all circuits supporting maximum sound quality, AMP-F2 also offers the flexibility of 2-channel or bridged mono channel operation.

With the same width and height, and optimized signal path, AMP-F2 is is a perfect match with DMP-A6, an ideal combination of value and performance.

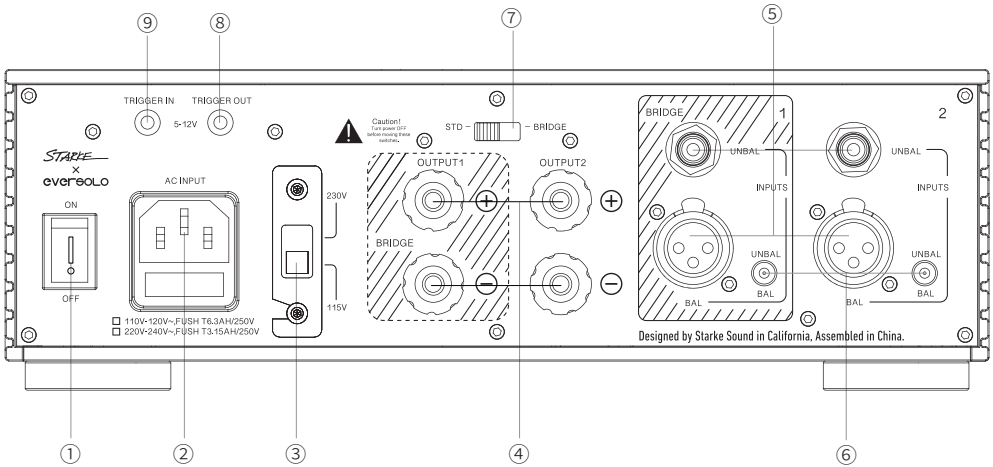
It is advised to read this manual to make sure the product's features are applied correctly.

Specifications

Output Power	145W RMS at 8 ohms (1% THD) 250W RMS at 4 ohms (1% THD) 280W RMS at 4 ohms (1% THD, BTL) 450W RMS at 2 ohms (1% THD, BTL)
Gain	21.5dB
Channel quantity	2 channels
Amplifier type	Class D
Frequency Response	10Hz-20KHz -1dB
Maximum output current per channel	16.5A/33A(Bridge)
Signal-To-Noise Ratio (SNR)	>110dB, "A" weighted at 4 ohm 250W
THD	0.003% 10W at 1KHz
Input terminals	2-Channel RCA Input 2-Channel XLR Input
Input Impedance (RCA)	11K Ω
Input Impedance (XLR)	22K Ω
Input Sensitivity	2.7V
Output terminals	2 pairs beryllium copper binding post custom made by Starke Sound
Output Impedance	0.136 Ω (5 Hz to 100 kHz)
Minimum load impedance	0.8 Ω
True balance circuit	Yes
Heat	65 BTU / hr
Fan noise	None
Power consumption	Standby \leq 0.5W Idle \leq 14W Maximum 900W
Control option	12V trigger input & output
Cabinet	Aluminum
Color options	Black
Warranty	1 years (from original purchase date)

Hardware

Rear Panel

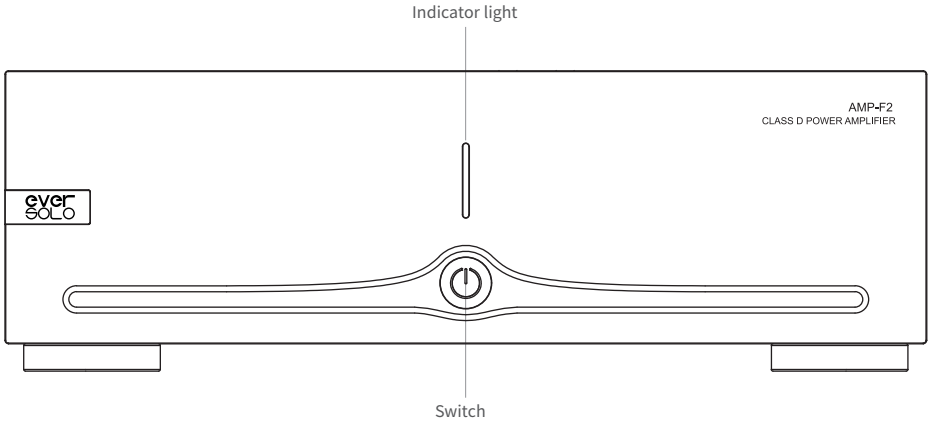


Descriptions:

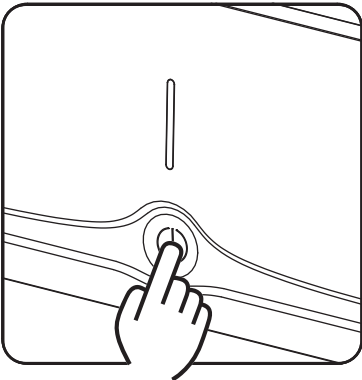
- ① Power on /off
- ② Power input plug

(Warning: Please carefully check the input power voltage setting before inserting the power supply, adjust to the position suitable for the local voltage, and replace the corresponding fuse with proper specifications, the power amplifier could burn with incorrect fuse! Use a 3.15A fuse at 220V-240V, or a 6.3A fuse at 110V-120V)
- ③ Voltage switching
- ④ Output(Used to connect the loudspeaker terminals)
- ⑤ XLR / RCA Analog input
- ⑥ XLR Input / RCA Input switch
- ⑦ BRIDGE switch(AMP-F2 is bridgeable. STD is standard mode, BRIDGE is bridge mode. In bridge mode, only the input and output with the diagonal line area are working.)
- ⑧ Trigger output (can be linked to another trigger gear)
- ⑨ Trigger input (can be linked to the previous stage with trigger function)

Front Panel



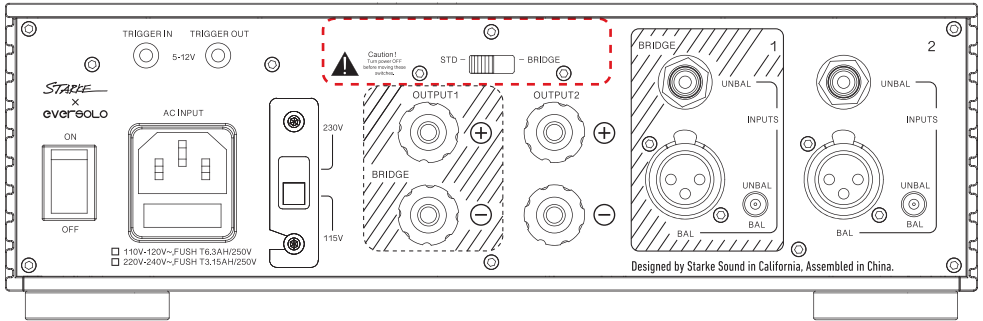
Controls



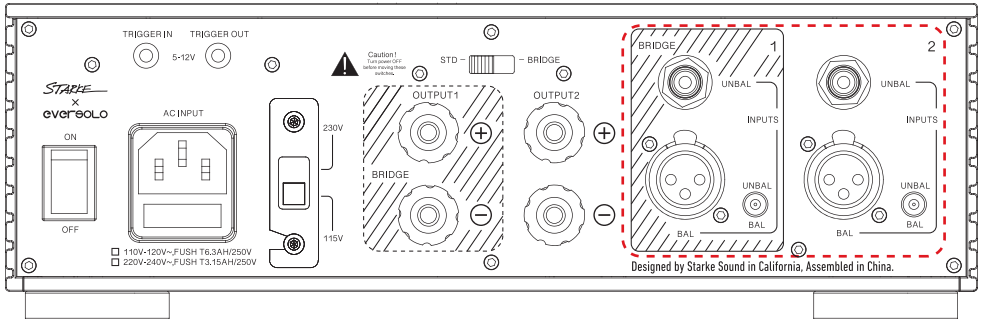
Short press:
Power on/Power off/Reboot/

Indicator light:
In standby mode, the indicator light is orange.
In working state, the indicator light is white.

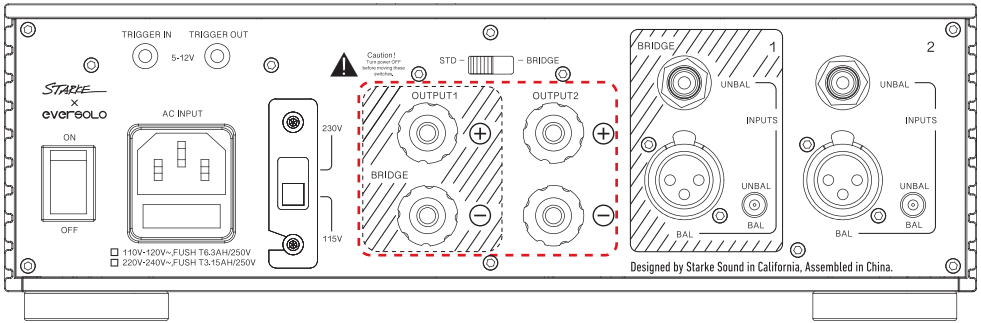
Set-up instructions



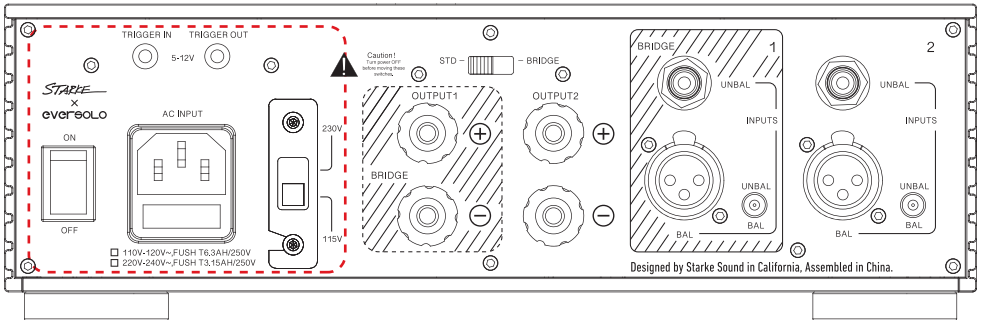
For standard mode, set this switch to STD (standard). For bridge mode, set this switch to BRIDGE.



Connect your 2 input channels using either unbalanced (RCA) or balanced (XLR) cables. Channels are labeled 1 and 2. Set the two toggle switches to UNBAL (unbalanced) or BAL (balanced) as appropriate.



Connect your two speakers to the output binding posts: 1 and 2. Speaker wires can be terminated with “banana plugs” which are inserted, or stripped insulation (unscrew binding post cap, insert wire into hole on threaded shaft and tighten cap). Observe correct polarity (“+” red and “-” black).



Connect your power cord to wall outlet. Please note that the voltage is consistent with the local area. Then put the switch to the ON position and turn on the power of the amplifier.

AMP-F2 can be turned on/standby through the front panel power on/off button, it can also be turned on/standby automatically by the trigger cable.

When the TRIGGER IN jack is connected to a device equipped with a TRIGGER OUT jack, the power on/standby of the unit can be controlled through the linkage operation of the upstream connected device.

When the TRIGGER OUT jack is connected to a device equipped with a TRIGGER IN jack, the power on/standby of the downstream connected device can be controlled through the linked operation of this unit.

TRIGGER IN/OUT jack Inputs/outputs electrical signals are up to 12V DC/150mA.

In TRIGGER mode, the front panel power on/off button will be disabled and the on/off will be controlled by Trigger.

Downloads

For more tutorials, please visit www.eversolo.com, please visit the Downloads page on official website and scan QR code.



Wechat Subscription

Safety instructions

- 1) Read, follow and keep these instructions
- 2) Do not remove the cover as repairs require qualified technicians
- 3) Do not use the product near water
- 4) Do not install near any heat sources such as radiators, heaters, stoves or amplifiers
- 5) Clean the product only with a damp cloth
- 6) Use care when lifting or moving this heavy product
- 7) Protect the power cord from being walked on or pinched
- 8) Unplug during lightning storms or when unused for long periods of time
- 9) Ensure that no objects filled with liquids such as vases are placed on the product

Limited warranty

1 years from purchase date

(Save original invoice for service to be arranged through your dealer, or contact us directly if you purchased your amplifier online.)

RoHS **CE** **FC**

产品简介

高品质 高效率

一切都是为了真正的高品质声音。

AMP-F2由Starke Sound团队与Eversolo团队通力合作，基于Starke Sound团队开发的创新的NS600模组，拥有高达600KHz的采样率。同时通过新设计的SAPS音频专用开关电源来显著降低噪音，提升动态表现。

采用高效率的D类放大结构，同时最大程度的优化电路来提升音质表现。AMP-F2是可桥接的，所以在需要2声道或者单声道的时候灵活配置。

与Eversolo DMP-A6厚度和宽度完全一致，并在信号通路搭配上进行优化。AMP-F2是DMP-A6的最佳搭配，也是价值和性能的完美结合。

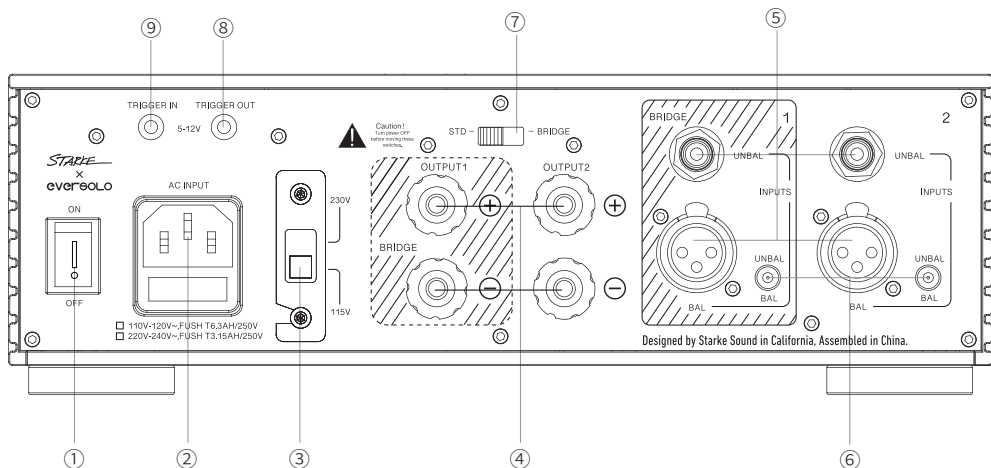
使用本机器之前建议您先阅读本说明，以便您正确使用产品的所有功能。

性能参数

输出功率	145W RMS at 8 ohms (1% THD) 250W RMS at 4 ohms (1% THD) 280W RMS at 4 ohms (1% THD, 桥接模式) 450W RMS at 2 ohms (1% THD, 桥接模式)
增益	21.5dB
通道数量	2
放大形式	D类放大
频率响应区间	10Hz-20KHz -1dB
每声道最大输出电流	16.5A/33A(桥接)
信噪比	>110dB, A计权, 4 ohm 250W
THD	0.003% 10W at 1KHz
输入接口	2声道RCA输入 2声道XLR输入
输入阻抗 (RCA)	11K Ω
输入阻抗 (XLR)	22K Ω
输入灵敏度	2.7V
输出接口	2对镀铜喇叭端子 Starke Sound定制
输出阻抗	0.136 Ω (5 Hz to 100 kHz)
最低负载阻抗	0.8 Ω
全平衡电路	是
发热量	65 BTU / hr
风扇噪音	无
整机功耗	待机 \leq 0.5W 闲置 \leq 14W 峰值 900W
控制选项	12V trigger 输入输出
机箱材质	铝合金
颜色选项	黑色
保修期限	1年 (从购买之日起)

硬件端口介绍

后背板



接口说明:

① 电源开关

② 电源插座/保险丝

警告:请在插入电源之前仔细检查输入电源电压设置，调到适合当地电压的位置，并换上对应规格保险丝，否则功放可能会烧毁！220V-240V电压下使用3.15A保险丝，110V-120V电压下使用6.3A保险丝。

③ 电压切换

④ 输出端子，用来连接扬声器接线柱

⑤ XLR和RCA模拟输入

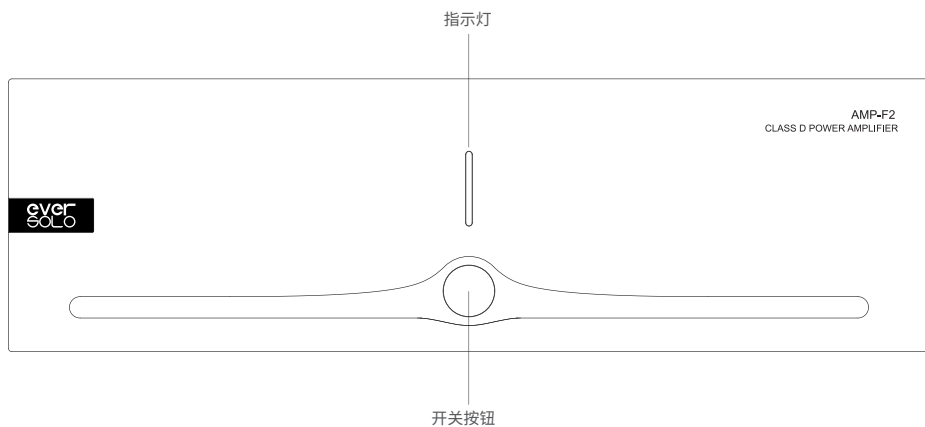
⑥ XLR输入和RCA输入切换开关

⑦ 桥接开关（STD为标准模式，BRIDGE为桥接模式。桥接模式下，仅斜线区域的输入输出在工作状态。）

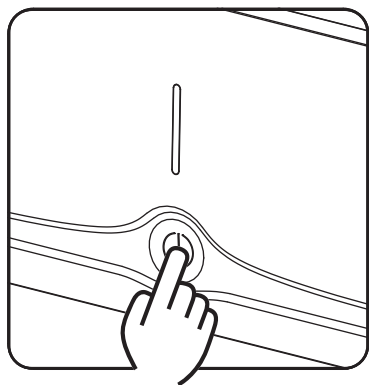
⑧ 触发输出（可以和有触发功能的后级联动）

⑨ 触发输入（可以和有触发功能的前级联动）

前面板



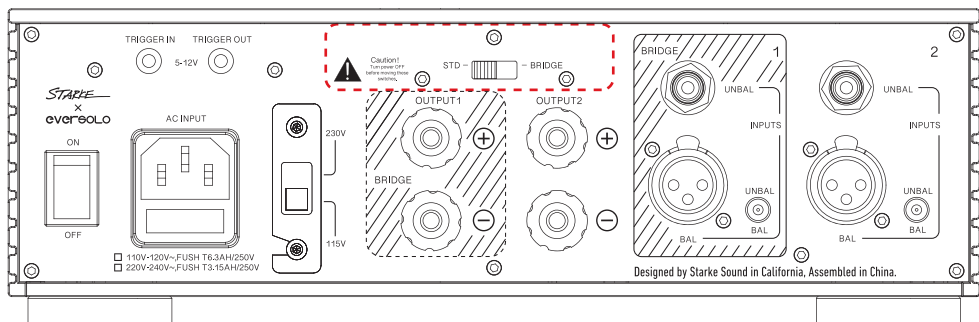
开关控制



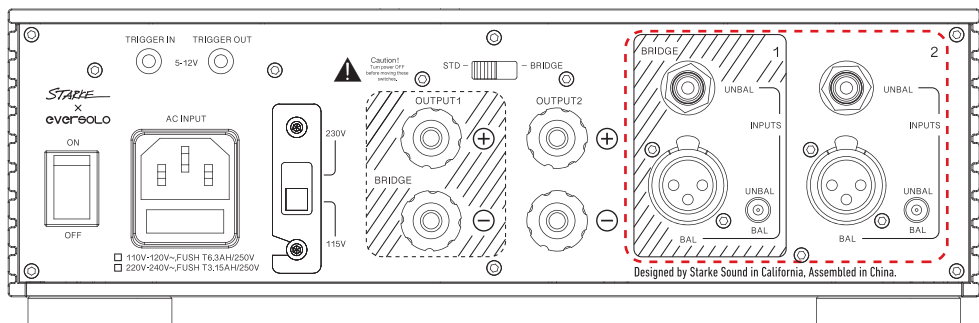
短按：
开机 / 选择关机 / 重启

指示灯：
待机状态下，指示灯为橙色。
工作状态下，指示灯为白色。

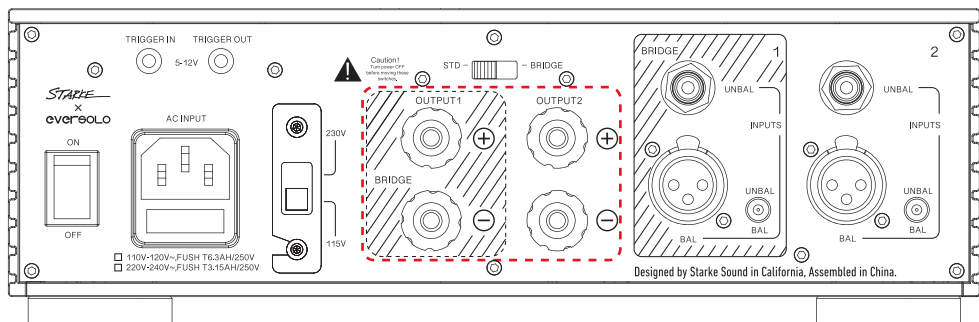
设置指令



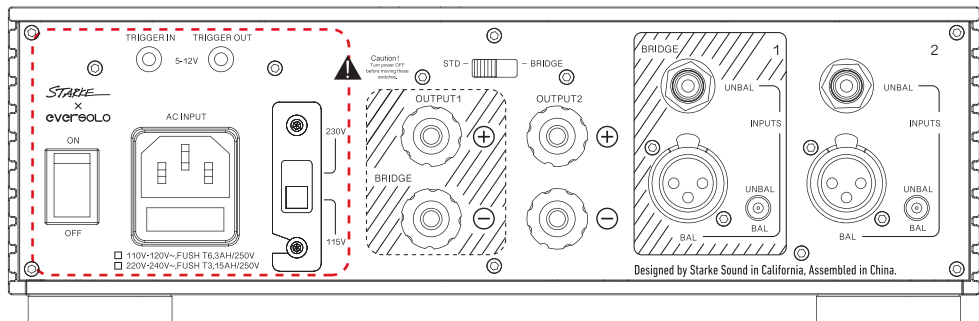
在标准模式下，将这个开关设置为STD(标准)。桥接模式下，将这个开关设置为BRIDGE（桥接）



使用非平衡(RCA)或平衡(XLR)电缆连接2个输入通道。通道被标记为1和2。将2个拨动开关设置为对应的UNBAL(非平衡)或BAL(平衡)。



将两个扬声器连接到输出接线柱:1和2。扬声器线可以用香蕉插头或剥去绝缘的裸线(拧下接线柱帽,将线插入螺纹轴上的孔中并拧紧帽)进行连接。观察正确的极性(红色“+”和黑色“-”)。



将电源线连接到交流输入端, 墙壁插座。请留意电压和当地区域一致。然后将开关置于ON 位置, 接通放大器的电源。

功放可以通过前面板按钮进行开启/待机, 也可以通过触发线自动开启/待机。

TRIGGER IN 插口连接配备 TRIGGER OUT插孔的设备时, 可通过上游相连设备的联动操作控制本机的电源开启/待机。

TRIGGER OUT 插口连接配备 TRIGGER IN 插孔的设备时, 可通过本机的联动操作控制下游相连设备的电源开启/待机。

TRIGGER IN/OUT 插孔 输入/输出最大 12V DC/150mA 电气信号。

TRIGGER模式下, 前面板开关按钮将无效, 开关由Trigger来控制。

资源下载

更多教程，请访问官网：www.eversolo.com，点击下载页面或扫描二维码。



微信公众号

安全警示：

- 1) 阅读、遵守并保存这些说明
- 2) 由于维修需要合格的技术人员，请勿拆卸盖子
- 3) 不要在靠近水的地方使用
- 4) 不要安装在任何热源，如散热器，加热器，炉灶或放大器
- 5) 仅用湿布清洁产品
- 6) 举起或移动此沉重产品时要小心
- 7) 防止电源线被踩到或夹到
- 8) 在雷雨天气或长时间不使用时拔掉电源
- 9) 确保产品上没有放置花瓶等装满液体的物体

有限保修

自购买之日起1年

(保存原始发票，以便通过经销商安排维修。如果您在网上购买您的放大器，请直接联系我们。)

RoHS CE FCC