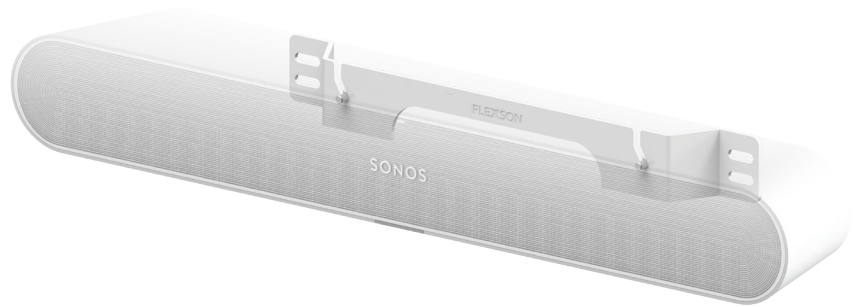
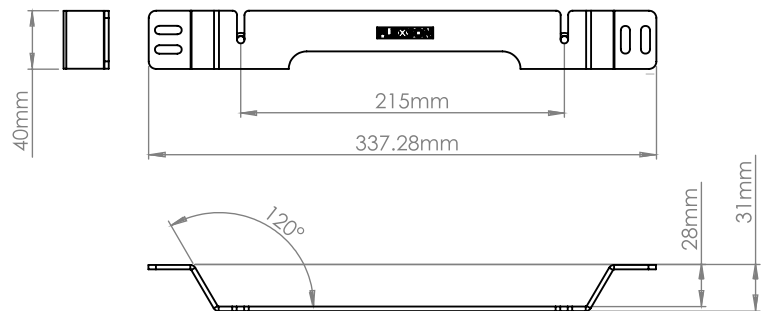


SRWM Wall Mount for Sonos Ray



The Flexson Wall Mount for Sonos Ray allows you to position the soundbar anywhere on the wall. Featuring a 30mm step design, the soundbar is positioned just in front of the TV to optimise the full range of sound, while Flexson's coveted cable management system chases cables straight through a non-intrusive hole and into the wall for a tidy installation. This mount is bespoke to suit the Sonos Ray and is precision engineered from High Grade Steel. The Flexson Wall Mount has multi-point fixing points and a one-part design for easy mounting. By requiring less parts, it also helps to reduce package waste.

- Allows you to position the Sonos Ray anywhere on the wall
- 30mm Step Design to position the sound in front of the TV
- Sonos Ray moves with your TV when using a full-motion mount
- Cable Management hole for chasing cables into wall
- One part design for easy installation and reduced packaging waste
- Multi-Point fixing points
- Precision engineered from High Grade Steel



	Black		White	
Product Code	FLXSRAYWM1021		FLXSRAYWM1011	
EAN Number	5057964002422		5057964002439	
			€	
Product Specifications	Height	Width	Depth	Weight
Product Size (mm)	400mm	310mm	338mm	0.297kg
Carton Dimensions (mm)	450mm	350mm	343mm	0.297kg
Carton Contents	1 x mount, 1 x instructions, 1 x xings			
C				