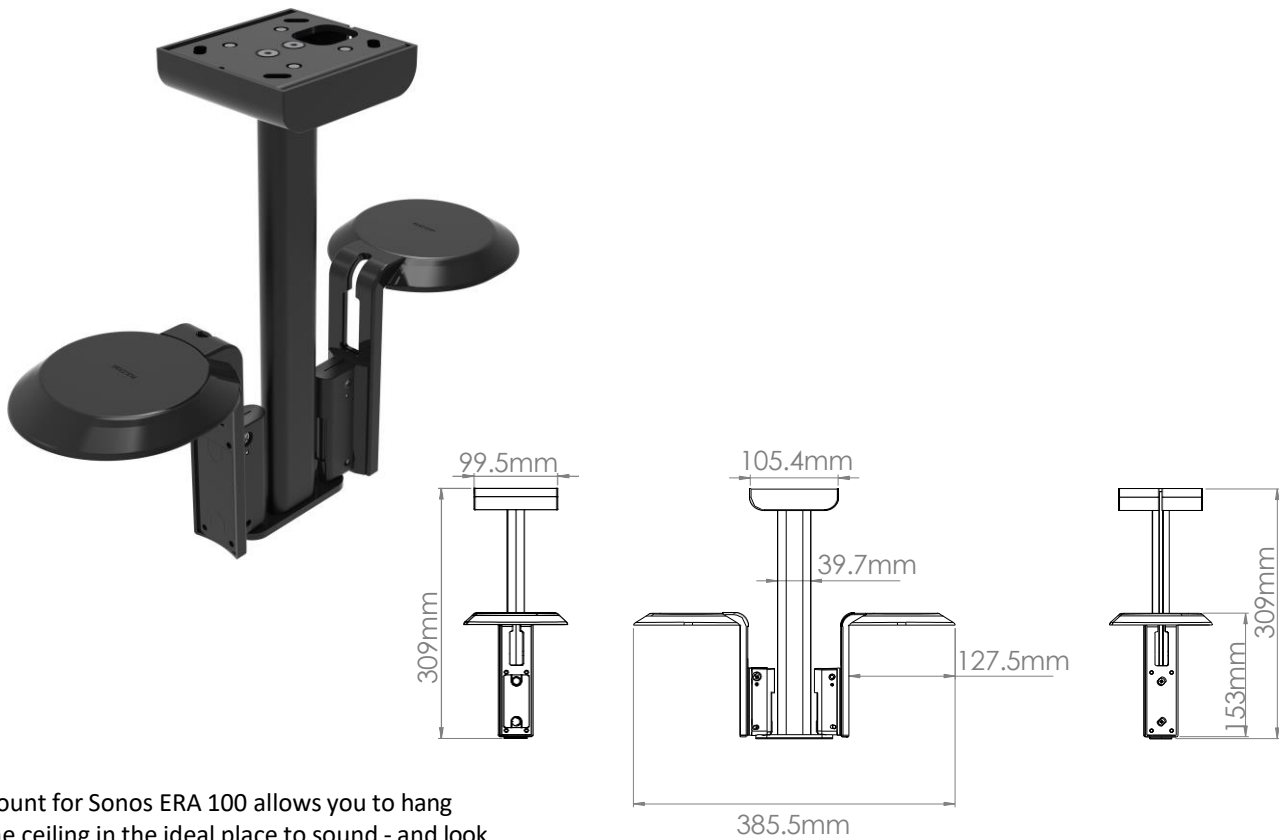


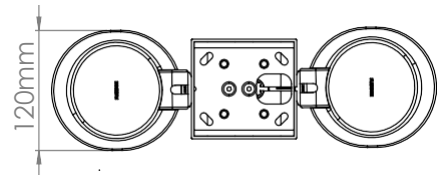
ACCESSORIES FOR SONOS

ERA100-CM Ceiling Mount for Two Sonos ERA 100



The Flexson Ceiling Mount for Sonos ERA 100 allows you to hang two ERA 100's from the ceiling in the ideal place to sound - and look - great. This new, design gives you yet more flexibility and functionality with clever cable routing to the ceiling. It's ideal for commercial installs in bars, restaurants and shops, as well as for home use.

The new Flexson ceiling mount has a unique tilting mechanism, as well as the ability to swivel left or right, so you can perfectly angle your sound. Able to tilt 15 degrees down, swivels 80 degrees (40 degrees right & 40 degrees left). The bracket also allows you to hang the Sonos ERA 100's upside down so you can access on-speaker controls. Supplied with stainless steel security cables to prevent accidents and theft.



- Bespoke design securely holds 2 x Sonos ERA 100
- Base seamlessly fits the speaker, holding it securely.
- Holds two Sonos ERA 100 speakers 30cm below ceiling
- Clever cable management to keep things tidy
- Speakers can be inverted for access to controls if required
- Unique tilting mechanism (down 15°) plus can swivel up to 80°(40° left, 40° right), so you can perfectly angle your speakers
- Stainless Steel Security fixing cables for safe and secure installation, to help prevent accidents and theft
- Precision engineered. Quick and easy to fit

	White	Black
Product Code	FLXE100CM2011	FLXE100CM2021
UPC Number	5057964003153	5057964003160

UK, European and US (SRP)	£119.99	€119.99	\$119.99
---------------------------	---------	---------	----------

Product Specifications	Height	Width	Depth	Weight
Product Size (mm)	309mm	120mm	385.5mm	1.4kg
Carton Dimensions (mm)	325mm	105mm	125mm	1.5kg
Carton Contents	1 x Dual Ceiling mount , 2 x security cables, fitting kit & 1 x Instructions			
Country of Manufacture	China	Outer Carton Quantity	10	