

Document Details

Product Name	JBL 4329P Studio Monitor
Author / Title	Matt Dever / Sr GPLM Jim Garrett / Sr Director, Product Strategy & Planning
Revision / Date	Rev1.0 20221202

Product Details

Brand	JBL
Model Name	4329P Studio Monitor Powered Loudspeaker System
Descriptor/Type	Powered Loudspeaker System

Body Copy (Short Version)

The JBL 4329P Studio Monitor Powered Loudspeaker is a completely self-contained amplified loudspeaker system featuring high-resolution streaming audio and prosumer connectivity. Patented JBL acoustic technologies render sound with incredible accuracy and powerful dynamics, while extensive wired and wireless connectivity opens up a world of possibilities for the music lover.

Each speaker is powered by a 300-watt amplifier, delivering 250 watts of power to the woofer and 50 watts of power to the compression driver. Both accurately controlled by sophisticated DSP processing assuring each driver blends seamlessly creating a dynamic and immersive listening experience.

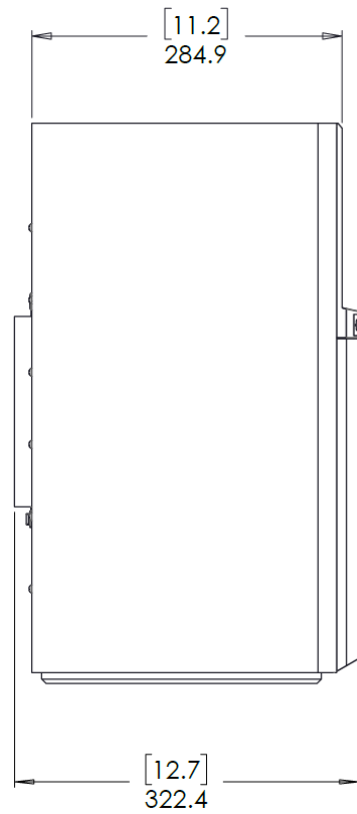
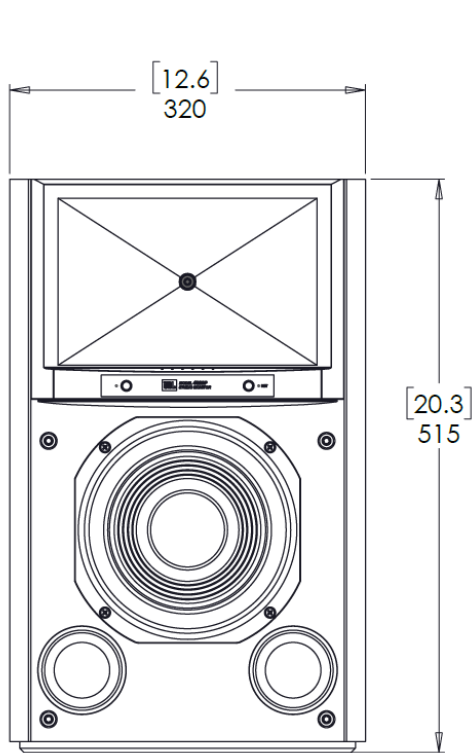
The integrated streaming engine provides both wired and wireless network audio capabilities via Google Chromecast built-in, Apple AirPlay 2, and Bluetooth 5.3 aptX Adaptive audio. A 24-bit/192kHz high-resolution DAC ensures your favorite music comes across with the highest fidelity. In addition to premium wireless audio, the 4329P provides extensive connections for analog and digital physical sources including a professional-grade combination XLR / ¼-inch TRS phono inputs for use with balanced or unbalanced signals.

Highlights

- High-performance powered loudspeaker system
- Patented JBL 2409H, 1-inch (25mm) compression driver and High-Definition Imaging dispersion horn
- JBL JW200P-4, 8-inch (200mm) Pure-pulp Black Paper Cone Woofers with Cast-frames
- 600-Watt RMS Total System Power with 24-bit/192kHz high-resolution DAC
 - (300-watts each speaker / 250-watts to each woofer and 50-watts to each compression driver)
- Google Chromecast Built-in, Apple AirPlay 2, and Bluetooth wireless audio
- USB and optical digital inputs plus XLR / ¼-inch TRS and 3.5mm analog inputs
- Incorporates MQA technology which enables playback of MQA audio files and streams, delivering the sound of the original master recording.
- ROON Ready
- Available in Natural Walnut or Black Walnut furniture-grade wood veneer finish options
- Wireless remote included and MusicLife app control available

Specifications

Type:	Bass-reflex Loudspeaker System with Built-in Amplification, DSP, and Wireless Connectivity
Low Frequency Drivers:	JW200P-4, 8-inch (200mm) Pure-pulp Black Paper Cone Woofers with Cast-frames
High Frequency Drivers:	2409H, 1-inch (25mm) Annular Ring, Teonex® Diaphragm Compression Drivers with Advanced HDI™ Geometry Horns
Amplifier Power:	600W Class D System Power 300W RMS per Speaker (50W per HF Compression Driver + 250W per LF Woofer)
Audio Resolution:	Up to 24-bit, 192 kHz (Digital Link connection between spks) Up to 24-bit, 96 kHz (Wireless connection between spks)
Frequency Response:	28 Hz - 25 kHz (-6 dB)
Crossover Frequency	1,675 Hz
Dispersion	90° Horizontal x 60° Vertical (2kHz to 15kHz)
Sound Controls:	Front Panel: Volume +/- and Source Selection Bluetooth Remote Boundary Compensation (Flat / -3dB)
Wireless Inputs:	WiFi streaming, Bluetooth 5.3
Wired Inputs:	Analog: XLR/¼" Combo and 3.5mm stereo Digital: Asynchronous USB-B and Toslink/Optical
Supported Digital Audio Sample Rates (PCM 2CH)	Streaming & Local Media: 32kHz/44.1kHz/48kHz/88.2kHz/96kHz/176.4kHz/192kHz SPDIF: Up to 192kHz USB-B: PCM 2-channel, up to 192kHz Bluetooth: Up to 48kHz, aptX Adaptive up to 96kHz
Music Formats Supported (Local Media)	AAC / AIFF / ALAC / DSD64 (to PCM) / FLAC / MP3 / MP4 / MQA / OGG / WAV / WMA
Subwoofer Output:	Autosensing w/ Auto-engage of 80Hz High Pass Filter
Remote Control Type:	BTLE Wireless
Bluetooth Audio	Version 5.3 Profiles: SPP (Serial Port Profile) A2DP (Advanced Audio Distribution Profile) AVRCP (Audio/Video Remote Control Profile)
Enclosure:	Bass-reflex Design with Dual Front-facing Ports ¾" MDF Finished in Satin Walnut or Black Walnut Furniture-Grade Wood Veneer
Grille:	Dark Blue (with Walnut Cabinet) or Black (with Black Cabinet) Acoustically Transparent Cloth Grille
Net Speaker Dimensions with grille:	20.3" H x 12.6" W x 12.7" D (515.5mm x 320mm x 322.4mm)
Net Speaker Weight:	Primary: 34.5 lbs (15.7kg) Secondary: 34.3 lbs (15.6kg)
Shipping Units of Measure:	System Pairs
Gross Shipping Dimensions:	25.59" H x 30.31" W x 16.46" D (650mm x 770mm x 418mm)
Gross Shipping Weight:	79.4 lbs (36.1 kg)
AC Input Voltage:	100 - 240 VAC (+/-10%), 50/60Hz



Primary Speaker – Back Panel

Secondary Speaker – Back Panel

