

## Model L-85



INSTRUCTION MANUAL USB direct encoding turntable

HANDLEIDING Platenspeler met USB direct encoding

BEDIENUNGSANLEITUNG Plattenspieler mit USB-  
Aufnahmefunktion

MODE D'EMPLOI Platine avec encodage direct USB

MANUAL DE INSTRUCCIONES Tocadiscos USB de  
grabación directa

MANUALE DI ISTRUZIONI Giradischi con codifica USB  
diretta

## Index

English.....	3
Nederlands .....	10
Deutsch.....	18
Français.....	26
Español .....	34
Italiano.....	42

**CAUTION:**

Usage of controls or adjustments or performance of procedures other than those specified herein may result in hazardous radiation exposure.

**PRECAUTIONS BEFORE USE**

**KEEP THESE INSTRUCTIONS IN MIND:**

1. Do not cover or block any ventilation openings. When placing the device on a shelf, leave 5 cm (2") free space around the whole device.
2. Install in accordance with the supplied user manual.
3. Keep the device away from heat sources such as radiators, heaters, stoves, candles and other heat-generating products or naked flame. The device can only be used in moderate climates. Extremely cold or warm environments should be avoided. Working temperature between 0° and 35°C.
4. Avoid using the device near strong magnetic fields.
5. Electrostatic discharge can disturb normal usage of this device. If so, simply reset and restart the device following the instruction manual. During file transmission, please handle with care and operate in a static-free environment.
6. Warning! Never insert an object into the product through the vents or openings. High voltage flows through the product and inserting an object can cause electric shock and/or short circuit internal parts. For the same reason, do not spill water or liquid on the product.
7. Do not use in wet or moist areas such as bathrooms, steamy kitchens or near swimming pools.
8. The device shall not be exposed to dripping or splashing and make sure that no objects filled with liquids, such as vases, are placed on or near the apparatus.
9. Do not use this device when condensation may occur. When the unit is used in a warm wet room with damp, water droplets or condensation may occur inside the unit and the unit may not function properly; let the unit stand in power OFF for 1 or 2 hours before turning on the power: the unit should be dry before getting any power.
10. Although this device is manufactured with the utmost care and checked several times before leaving the factory, it is still possible that problems may occur, as with all electrical appliances. If you notice smoke, an excessive build-up of heat or any other unexpected phenomena, you should disconnect the plug from the main power socket immediately.
11. This device must operate on a power source as specified on the specification label. If you are not sure of the type of power supply used in your home, consult your dealer or local power company.
12. Keep away from animals. Some animals enjoy biting on power cords.
13. To clean the device, use a soft dry cloth. Do not use solvents or petrol based fluids. To remove severe stains, you may use a damp cloth with dilute detergent.
14. The supplier is not responsible for damage or lost data caused by malfunction, misuse, modification of the device or battery replacement.
15. Do not interrupt the connection when the device is formatting or transferring files. Otherwise, data may be corrupted or lost.
16. If the unit has USB playback function, the USB memory stick should be plugged into the unit directly. Don't use an USB extension cable because it can cause interference resulting in failing of data.
17. The rating label has been marked on the bottom or back panel of the device.
18. This device is not intended for use by people (including children) with physical, sensory or mental disabilities, or a lack of experience and knowledge, unless they're under supervision or have received instructions about the correct use of the device by the person who is responsible for their safety.
19. This product is intended for non professional use only and not for commercial or industrial use.
20. Make sure the unit is adjusted to a stable position. Damage caused by using this product in an unstable position vibrations or shocks or by failure to follow any other warning or precaution contained within this user manual will not be covered by warranty.
21. Never remove the casing of this device.
22. Never place this device on other electrical equipment.
23. Do not allow children access to plastic bags.
24. Only use attachments/accessories specified by the manufacturer.
25. Refer all servicing to qualified service personnel. Servicing is required when the device has been damaged in any way, such as the power supply cord or the plug, when liquid has been spilled or objects have fallen into the device, when the device has been exposed to rain or moisture, does not operate normally, or has been dropped.

26. Long exposure to loud sounds from personal music players may lead to temporary or permanent hearing loss.
27. If the product is delivered with power cable or AC power adaptor:
- If any trouble occur, disconnect the AC power cord and refer servicing to qualified personnel.
  - Don't step on or pinch the power adaptor. Be very careful, particularly near the plugs and the cable's exit point. Do not place heavy items on the power adaptor, which may damage it. Keep the entire device out of children's reach! When playing with the power cable, they can seriously injure themselves.
  - Unplug this device during lightning storms or when unused for a long period.
  - The socket outlet must be installed near the equipment and must be easily accessible.
  - Do not overload ac outlets or extension cords. Overloading can cause fire or electric shock.
  - Devices with class 1 construction should be connected to a main socket outlet with a protective earthed connection.
  - Devices with class 2 construction do not require a earthed connection.
  - Always hold the plug when pulling it out of the main supply socket. Do not pull the power cord. This can cause a short circuit.
  - Do not use a damaged power cord or plug or a loose outlet. Doing so may result in fire or electric shock.
28. If the product contains or is delivered with a remote control containing coin/cell batteries:
- Warning:
- "Do not ingest battery, Chemical Burn Hazard" or equivalent working.
  - [The remote control supplied with] This product contains a coin/button cell battery. If the battery is swallowed, it can cause severe internal burns in just 2 hours and can lead to death.
  - Keep new and used batteries away from children.
  - If the battery compartment does not close securely, stop using the product and keep it away from children.
  - If you think batteries might have been swallowed or placed inside any part of the body, seek immediate medical attention.
29. Caution about the use of Batteries:
- Danger of explosion if battery is incorrectly replaced. Replace only with the same or equivalent type.
  - Battery cannot be subjected to high or low extreme temperatures, low air pressure at high altitude during use, storage or transportation.
  - Replacement of a battery with an incorrect type that can result in an explosion or the leakage of flammable liquid or gas.
  - Disposal of a battery into fire or a hot oven, or mechanically crushing or cutting of a battery, that can result in an explosion.
  - Leaving a battery in an extremely high temperature surrounding environment that can result in an explosion or that leakage of flammable liquid or gas.
  - A battery subjected to extremely low air pressure that may result in an explosion or the leakage of flammable liquid or gas.
  - Attention should be drawn to the environmental aspects of battery disposal.

#### **INSTALLATION**

- Unpack all parts and remove protective material.
- Do not connect the unit to the mains before checking the mains voltage and before all other connections have been made.

### Power supply adaptor

Manufacturer: Dongguan Blue Iron Enterprise

Model number: BI12T-120100-I

**Use only original AC adaptor**

**Use only the power supply listed in the user instructions**

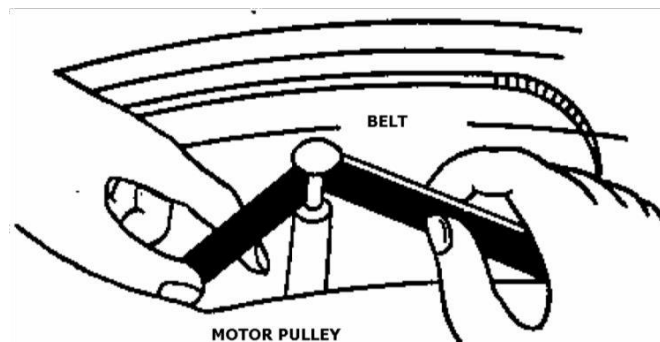
Information	Value and and precision
Manufacturers name or trade mark, commercial registration and address	- Dongguan Blue Iron Enterprise
Model Identifier	- BI12T-120100-I
Input voltage	100-240V, 50/60H, 0.5A
Input AC frequency	100-240V
Output voltage	3.0-24.0V
Output current	0.01-2.4A
Output Power	12W
Average active efficiency	84.1%
Efficiency at low load (10%)	79.27%
No load Power consumption	0.08W

### Assembly

#### Drive belt:

The belt and turntable platter have been installed properly at factory, but the belt may be loose during transportation. If so, the following procedures will be taken for belt installation by yourself.

- Remove the rubber mat from the turntable platter and the E ring from the turntable shaft, then release the turntable platter from the shaft
- Put the drive belt on the inner rim of the turntable platter and pull it through the hole
- Hold the belt with your fingers and place the belt onto the motor pulley as shown in the drawing.



- Clip the E ring on the shaft and place the rubber mat onto the turntable platter.

#### Caution:

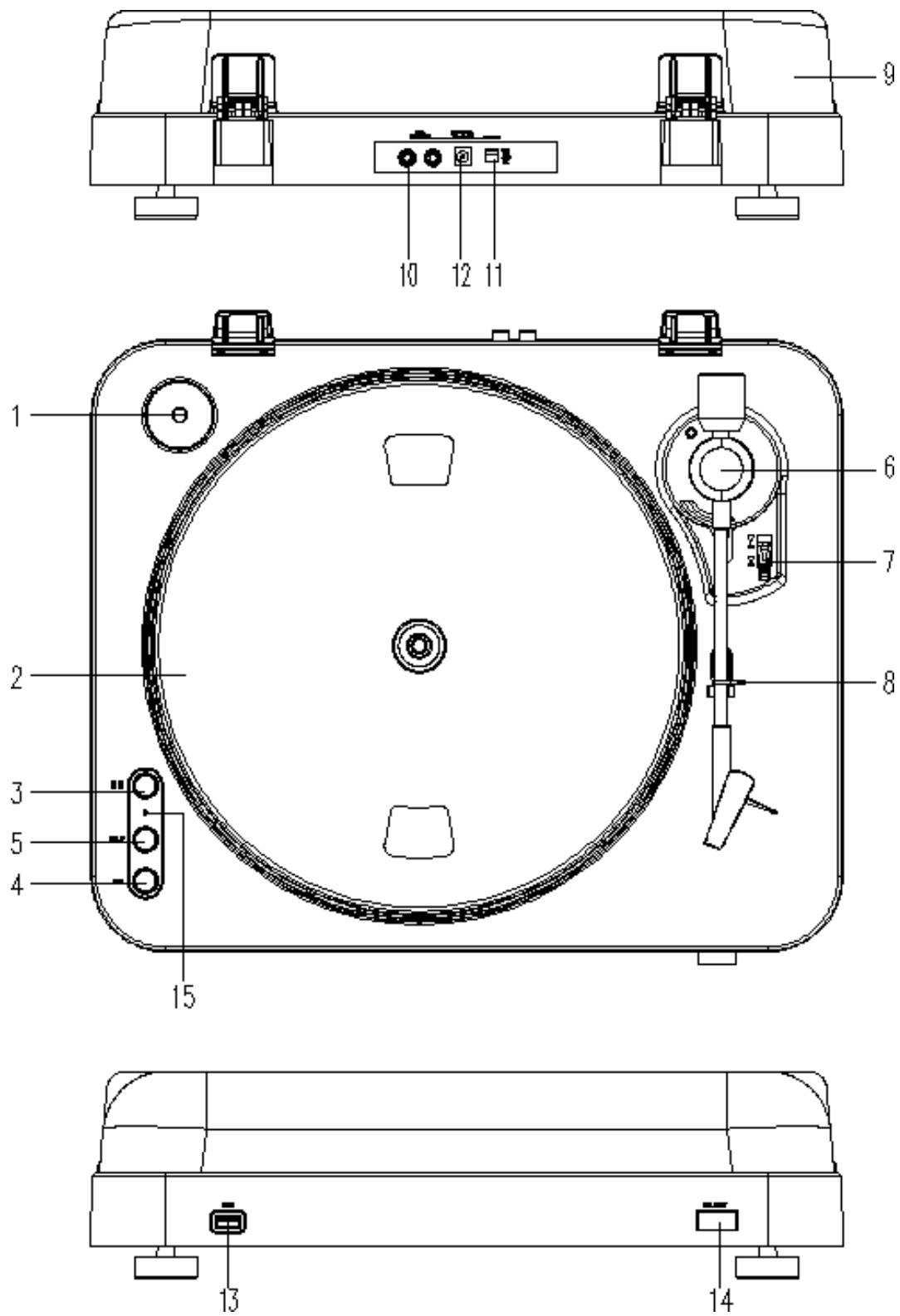
- Make sure that the drive belt is not twisted or distorted.
- Avoid oil. Oil splashes will make the belt slippery.

#### Auto Return Reset:

Always do the reset for Auto Return once you move this product. The mechanism of Auto Return will rotate irregularly when moving and it will cause the malfunction of Auto Return. The following steps will reset the mechanism to normal.

- Place a record on the platter and play it.
- Manually lever the tone arm and place it to the blank part of the end of the record.
- The mechanism of Auto Return function will be adjusted properly and the tone arm will automatically return to the arm rest.

## Description



- 1. Adaptor:**  
Use this adaptor when playing 45 RPM records.
- 2. Platter:**  
Place a record here to play.
- 3. 33/45 RPM Switch:**  
Switch 33 or 45 rpm for playing a record at a correct speed.
- 4. REC:**  
Press it to enter into record mode.
- 5. SPLIT**  
For stopping the current recording, forming a record file manually and then going on recording the next track.
- 6. Pick-up arm stand**
- 7. Pick-up Arm Lift Stick:**  
To raise up and down the Pick-up Arm and cue at a proper place of a vinyl.
- 8. Pick-up Arm Lock:**  
Use this to lock the Pick-up Arm in place when not in use.
- 9. Dust Cover:**  
Use this to protect the turntable from exposure to dust. The cover may be opened or removed during use, but should remain closed when the turntable is not in use.
- 10. RCA Line Out Cable**  
Connect the RCA line out to a mixer or an amplifier in your sound system.
- 11. Power Switch:**  
For turning the power on or off through this switch. Please switch off the unit after finishing the playing to save the energy..
- 12. Power Adaptor Connection**  
Connect here the AC adapter output.
- 13. USB Port Input:**  
Plug in a USB Pen Drive for recording the music from a record.  
\*The design is only for USB Flash Drive. To prevent the power supply is not sufficient and overheated of the circuit(IC), always get the external power supply if using a hard drive.
- 14. Reject**  
Press it to force the arm to return directly to the arm rest
- 15. LED**
  - USB Record Operation and LED Signal Indication
  - USB storage device is not plugged. -> LED light is off
- 16.** USB storage device is plugged in -> LED flashes
- 17.** When the system is ready to record. -> LED light is on
- 18.** Press REC button to start recording. -> LED blinks slowly.
- 19.** Press SPLIT button to create new file in the recording.
- 20.** Press REC button again to stop recording. -> LED is flashing for a short time, then LED light is stably on again.

Note: Do not remove the USB storage device if the LED is flashing.

## **Mains connection**

Ensure that the mains voltage of your home corresponds to the operating voltage of the unit. Your unit is ready to be connected to a correct voltage of your location.

## **Amplifier connection**

Connect RCA line out cable (10) to the AUX input on your amplifier:

- Red plug into R channel input.
- White plug into L channel input.
- Place the record of your choice on the turntable. If it is a 45 rpm, do not forget to place the adaptor (1) on the record spindle.
- Choose the desired playing speed:
  - o 33 rpm -> button unlocked
  - o 45 rpm-> button locked.
- Release the pick-up arm clip.
- Place the cartridge vertically over the first track of the record, the turntable starts turning.
- When the record is over, the pick-up arm returns to its rest , the turntable stops turning  
Take care that the pick-up lift stick is in forward-turned (lift down), close pick-up arm lock to secure pick-up arm.

## **Technical specification**

Power Supply: AC100-240 60/50HZ

Power Consumption: 12W

Wow & Flutter: 0.25%

Distortion: 3%~4%

S/N: 50 dB

Audio Output Voltage: 500mV  $\pm$ 200mV

## **\*IMPORTANT RECOMMENDATIONS**

We advise you to clean your records using an impregnated rag with an antistatic product for maximum enjoyment of your records and also to make them last.

We would also point out that for the same reason your stylus should be replaced periodically (approximately every 250 hours).

Dust the stylus from time to time using a very soft brush dipped in alcohol (brushing from the back to the front of the cartridge).



## 1. Guarantee

Lenco offers service and warranty in accordance to European law, which means that in case of repairs (both during and after the warranty period) you should contact your local dealer.

Important note: It is not possible to send products that need repairs to Lenco directly.

Important note: If this unit is opened or accessed by a non-official service center in any way, the warranty expires.

This device is not suitable for professional use. In case of professional use, all warranty obligations of the manufacturer will be voided.

## 2. Disclaimer

Updates to Firmware and/or hardware components are made regularly. Therefore some of the instruction, specifications and pictures in this documentation may differ slightly from your particular situation. All items described in this guide for illustration purposes only and may not apply to particular situation. No legal right or entitlements may be obtained from the description made in this manual.

## 3. Disposal of the Old Device



This symbol indicates that the relevant electrical product or battery should not be disposed of as general household waste in Europe. To ensure the correct waste treatment of the product and battery, please dispose them in accordance to any applicable local laws of requirement for disposal of electrical equipment or batteries. In so doing, you will help to conserve natural resources and improve standards of environmental protection in treatment and disposal of electrical waste (Waste Electrical and Electronic Equipment Directive).

## 4. CE Marking

Hereby, Lenco Benelux B.V., Thermiekstraat 1a, 6361 HB Nuth, The Netherlands, declares that this product is in compliance with the essential EU directive requirements.

The declaration of conformity may be consulted via [techdoc@commaxxgroup.com](mailto:techdoc@commaxxgroup.com)



## 5. Service

For more information and helpdesk support, please visit [www.lenco.com](http://www.lenco.com)

Lenco Benelux BV, Thermiekstraat 1a, 6361 HB, The Netherlands.

**LET OP:**

Het gebruik van afstandsbedieningen of aanpassingen of de uitvoering van procedures die niet in dit document zijn gespecificeerd, kan leiden tot gevaarlijke blootstelling aan straling.

**VOORZORGSMAATREGELEN VOOR GEBRUIK**

**ONTHOUD DE VOLGENDE INSTRUCTIES:**

1. Bedek of blokkeer de ventilatieopeningen niet. Wanneer u het apparaat op een schap plaatst, dient u 5 cm (2") vrije ruimte rondom het gehele apparaat te behouden.
2. Installeer het product volgens de meegeleverde gebruikershandleiding.
3. Houd het apparaat uit de buurt van hittebronnen, zoals radiatoren, verwarmingen, kachels, kaarsen en andere hittegenererende producten of open vuur. Het apparaat kan alleen worden gebruikt in een gematigd klimaat. Extreem koude of warme omgevingen dienen te worden vermeden. Het bedrijfstemperatuurbereik ligt tussen 0 °C en 35 °C.
4. Gebruik dit apparaat niet in de buurt van krachtige magnetische velden.
5. Elektrostatische ontlading kan normaal gebruik van dit apparaat verstoren. U hoeft het apparaat in dit geval slechts te resetten en opnieuw op te starten volgens de gebruikershandleiding. Wees voorzichtig tijdens bestandsoverdracht en gebruik het product in een omgeving zonder statische interferentie.
6. Waarschuwing! Steek nooit een voorwerp via de ventilatie- of andere openingen in het product. Er is hoogspanning in het product aanwezig en als u er een object insteekt, kan dat een elektrische schok veroorzaken en/of kortsluiting in de interne onderdelen. Mors om dezelfde reden geen water of vloeistof op het product.
7. Gebruik het toestel niet in vochtige ruimtes, zoals badkamers, stomende keukens of in de buurt van zwembaden.
8. Het apparaat mag niet worden blootgesteld aan druppels en spetters en zorg ervoor dat er geen met vloeistof gevulde voorwerpen, zoals vazen, op of in de buurt van het apparaat worden geplaatst.
9. Gebruik dit apparaat niet wanneer condensatie kan optreden. Wanneer het apparaat in een warme, natte ruimte wordt gebruikt, kunnen zich waterdruppels of condens vormen in het apparaat en kan het apparaat niet goed functioneren. Laat het apparaat 1 of 2 uur uit staan voordat u het inschakelt: het apparaat dient droog te zijn voordat deze stroom ontvangt.
10. Alhoewel dit apparaat met grote zorg gefabriceerd en verschillende keren geïnspecteerd is voordat het de fabriek verlaat, is het nog steeds mogelijk dat er problemen optreden, zoals met alle elektrische apparaten. Als u rook, een overmatige hitteontwikkeling of enig ander onverwacht verschijnsel opmerkt, moet u onmiddellijk de stekker van het netsnoer uit het stopcontact halen.
11. Dit apparaat moet worden gebruikt met een voedingsbron zoals gespecificeerd op het specificatielabel. Als u twijfelt over het type voeding dat gebruikt wordt in uw huis, raadpleeg dan uw dealer of plaatselijk energiebedrijf.
12. Buiten bereik van dieren houden. Sommige dieren kauwen graag op voedingskabels.
13. Gebruik een zacht, droog doekje om het apparaat te reinigen. Gebruik geen oplosmiddelen of op benzine gebaseerde vloeistoffen. U kunt een vochtig doekje met verdund schoonmaakmiddel gebruiken om hardnekkige vlekken te verwijderen.
14. De leverancier is niet verantwoordelijk voor schade of verloren gegevens veroorzaakt door storing, misbruik, modificatie van het apparaat of batterijvervanging.
15. Onderbreek nooit de verbinding wanneer het apparaat formatteert of bestanden overdraagt. De gegevens kunnen anders corrupt of verloren raken.
16. Indien het apparaat een USB-afspeelfunctie heeft, moet de USB-geheugenstick rechtstreeks op het apparaat worden aangesloten. Gebruik geen USB-verlengkabel, omdat die kan leiden tot storingen met foutieve gegevens als gevolg.
17. Het classificatielabel bevindt zich op de onderkant of het achterpaneel van het apparaat.
18. Dit hulpmiddel is niet bedoeld voor gebruik door mensen (inclusief kinderen) met een fysieke, zintuiglijke of mentale handicap, of een gebrek aan ervaring en kennis, tenzij zij toezicht of instructies hebben gekregen over het juiste gebruik van het hulpmiddel door een persoon die verantwoordelijk is voor hun veiligheid.
19. Dit product is alleen voor niet-professioneel gebruik bedoeld en niet voor commercieel of industrieel gebruik.
20. Verzeker u ervan dat het apparaat in een stabiele positie staat opgesteld. Schade die wordt veroorzaakt door het gebruik van dit product in een onstabiele positie, trillingen of schokken of het niet opvolgen van de waarschuwingen of voorzorgsmaatregelen in deze gebruikershandleiding wordt niet gedekt door de garantie.
21. Verwijder nooit de behuizing van dit apparaat.
22. Plaats dit apparaat nooit op andere elektrische apparatuur.
23. Geef kinderen geen gelegenheid in aanraking met plastic zakken te komen.

24. Gebruik uitsluitend uitbreidingen/accessoires gespecificeerd door de fabrikant.
25. Laat alle reparaties over aan gekwalificeerd onderhoudspersoneel. Onderhoud is nodig als het apparaat is beschadigd, bijvoorbeeld als de voedingskabel of de stekker is beschadigd, als er vloeistof op het apparaat is gemorst, als er voorwerpen in het apparaat zijn gevallen, als het apparaat is blootgesteld aan regen of vocht, als het apparaat niet normaal werkt of als het is gevallen.
26. Langdurige blootstelling aan harde geluiden van persoonlijke muzikspelers kan leiden tot tijdelijk of permanent gehoorverlies.
27. Als het product wordt geleverd met voedingskabel of wisselstroomvoedingsadapter:
  - Als er zich problemen voordoen, moet u de voedingskabel loskoppelen en het ter onderhoud aanbieden aan gekwalificeerd personeel.
  - Nooit op de voedingsadapter stappen of deze indrukken. Wees zeer voorzichtig, vooral in het gebied rond de stekkers en de kabelaansluitingen. Plaats geen zware voorwerpen op de voedingsadapter, om beschadiging ervan te voorkomen. Houd het gehele apparaat buiten bereik van kinderen! Wanneer kinderen met de voedingskabel spelen, kunnen zij ernstig letsel oplopen.
  - Haal de stekker uit het stopcontact tijdens onweer of wanneer u deze langere tijd niet gebruikt.
  - Het stopcontact moet in de buurt van de apparatuur zijn geïnstalleerd en eenvoudig te bereiken zijn.
  - Laat AC-stopcontacten of verlengsnoeren nooit overbelast raken. Overbelasting kan brand of een elektrische schok veroorzaken.
  - Apparaten met een Klasse 1 structuur dienen te worden aangesloten op een stopcontact met een beschermende aardverbinding.
  - Apparaten met een Klasse 2 structuur vereisen geen aardverbinding.
  - Houd altijd de stekker vast wanneer u deze uit het stopcontact trekt. Trek nooit aan de voedingskabel. Dit kan tot een kortsluiting leiden.
  - Gebruik nooit een beschadigde voedingskabel of stekker of een los stopcontact. Dit vormt namelijk een risico op brand of elektrische schokken.
28. Indien het product knoopcelbatterijen bevat of wordt geleverd met een afstandsbediening die knoopcelbatterijen bevat:
 

Waarschuwing:

  - “Batterij niet inslikken, chemisch brandgevaar” of gelijkwaardige werking.
  - De meegeleverde afstandsbediening bevat een knoopcelbatterij. Als de batterij wordt ingeslikt, kan deze in slechts 2 uur ernstige interne brandwonden veroorzaken en tot de dood leiden.
  - Houd nieuwe en gebruikte batterijen buiten bereik van kinderen.
  - Als de batterijhouder niet goed kan worden gesloten, dient u het product niet meer te gebruiken en buiten bereik van kinderen te houden.
  - Als u denkt dat batterijen zijn ingeslikt of binnenin een willekeurig lichaamsdeel terecht zijn gekomen, dient u onmiddellijk medische hulp te zoeken.
29. Waarschuwing m.b.t. het gebruik van batterijen:
  - Als de batterij onjuist wordt geplaatst, bestaat er explosiegevaar. Vervang de batterij alleen door een zelfde of vergelijkbare soort batterij.
  - Stel de batterij niet bloot aan extreem hoge of lage temperaturen of een lage luchtdruk op grote hoogte tijdens gebruik, opslag of transport.
  - Vervanging van een batterij door een incorrect type kan leiden tot een ontploffing of de lekkage van ontvlambare vloeistoffen of gas.
  - Het weggooiën van een batterij in het vuur of een hete oven, of het mechanisch verpletteren of insnijden van een batterij, kan leiden tot een explosie.
  - Het achterlaten van een batterij in een omgeving met extreem hoge temperaturen kan leiden tot een explosie of het lekken van brandbare vloeistof of gas.
  - Een batterij die aan een extreem lage luchtdruk wordt blootgesteld, kan leiden tot een explosie of het lekken van brandbare vloeistof of gas.
  - Aandacht voor het milieu is nodig bij het verwijderen van de batterijen.

## INSTALLATIE

- Pak alle onderdelen uit en verwijder de beschermende materialen.
- Sluit het apparaat niet aan op het stopcontact, voordat u de netspanning hebt gecontroleerd en voordat alle andere aansluitingen zijn gemaakt.

## Voedingsadapter

Fabrikant: Dongguan Blue Iron Enterprise

Modelnummer: BI12T-120100-I

**Gebruik alleen de originele wisselstroomadapter**

**Gebruik uitsluitend de lichtnetdapter die in de gebruiksaanwijzing wordt vermeld**

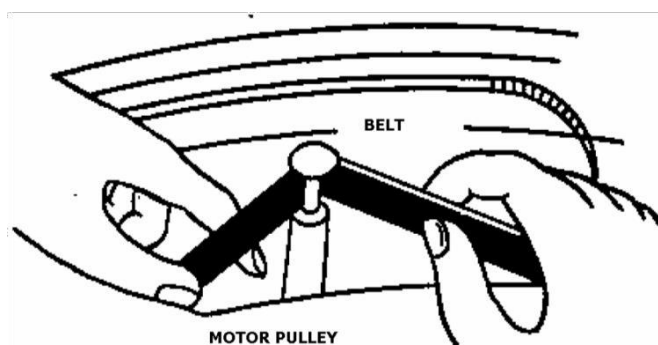
Informatie	Waarde en precisie
Naam of handelsmerk van de fabrikant, handelsregistratie en adres	- Dongguan Blue Iron Enterprise
Modelaanduiding	- BI12T-120100-I
Ingangsspanning	100-240V, 50/60H, 0.5A
Ingangsfrequentie AC	100-240V
Uitgangsspanning	3.0-24.0V
Uitgangsstroom	0.01-2.4A
Uitgang	12W
Gemiddelde actieve efficiëntie	84.1%
Efficiëntie bij lage belasting (10%)	79.27%
Verbruik onbelast vermogen	0.08W

## Montage:

### Aandrijfriem:

De aandrijfriem en het draaiplateau zijn op een correcte manier geïnstalleerd in de fabriek, maar het is mogelijk dat de aandrijfriem is losgeraakt tijdens het transport. Als dit zo is, volg dan de volgende procedure om installatie van de riem zelf uit te voeren.

- Verwijder de rubberen mat van het draaiplateau en de E-ring van de as van de draaitafel. Haal vervolgens het draaiplateau van de as.
- Plaats de aandrijfriem op de binnenste rand van het draaiplateau en trek hem door het gat.
- Houd de riem vast met uw vingers en plaats de riem op de motorpoelie, zoals getoond in de afbeelding.



- Klem de E-ring op de as en plaats de rubberen mat op het draaiplateau.

**Let op:**

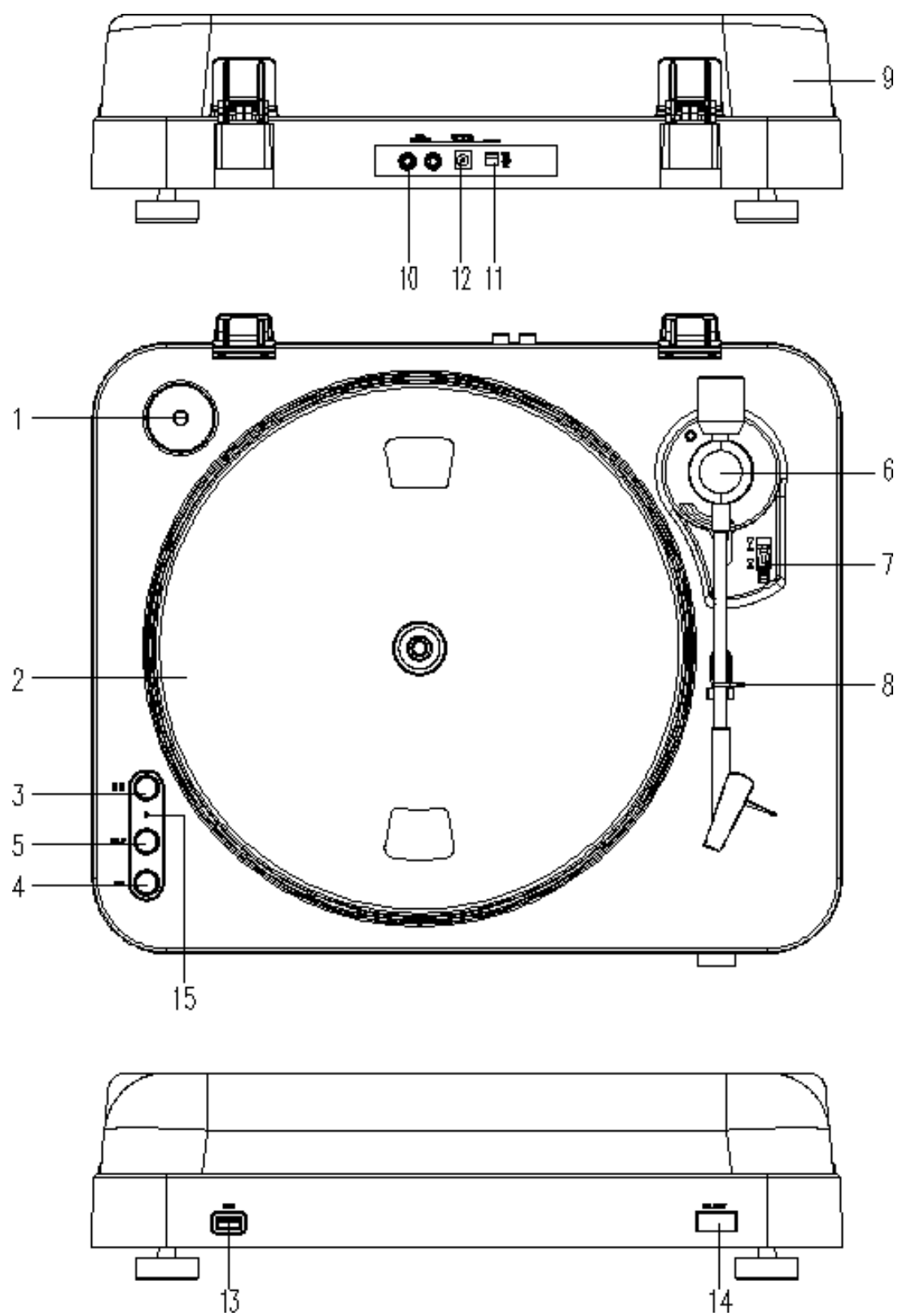
1. Zorg ervoor dat de aandrijfriem niet gedraaid of vervormd is.
2. Vermijd olie. Oliespatten maken de aandrijfriem glad.

**De automatische terugkeerfunctie resetten:**

Voer altijd de reset voor de automatische terugkeerfunctie uit als u het product verplaatst. Het mechanisme van de automatische terugkeerfunctie zal onregelmatig draaien wanneer u het apparaat verplaatst en dit zal ervoor zorgen dat de automatische terugkeerfunctie niet juist werkt. U kunt het mechanisme resetten door de volgende stappen te volgen.

1. Plaats een plaat op de draaitafel en speel de plaat af.
2. Til de toonarm handmatig op en plaats hem op het blanco gedeelte aan het eind van de plaat.
3. Het mechanisme van de automatische terugkeerfunctie wordt juist ingesteld en de toonarm zal automatisch terugkeren naar de armsteun.

## Omschrijving



- 1. Adapter:**  
Gebruik deze adapter bij het afspelen van 45-toerenplaten.
- 2. Draaiplateau:**  
Plaats hier een plaat om af te spelen.
- 3. 33/45-toerenschakelaar:**  
Schakel naar 33 of 45 toeren om een plaat met de juiste snelheid af te spelen.
- 4. REC:**  
Druk op deze knop om naar de opnamemodus te schakelen.
- 5. SPLIT**  
Om de huidige opname te stoppen, handmatig een opnamebestand te creëren en vervolgens door te gaan met het opnemen van de volgende track.
- 6. Steun voor pickuparm**
- 7. Stokje voor optillen pickuparm:**  
Voor het optillen en laten zakken van de pickuparm om deze op de juiste plaats van een plaat te plaatsen.
- 8. Vergrendeling pickuparm:**  
Gebruik deze vergrendeling om de pick-up arm op zijn plaats te houden wanneer de platenspeler niet wordt gebruikt.
- 9. Stofkap:**  
Gebruik deze stofkap om de draaitafel te beschermen tegen stof. Het deksel kan worden geopend of verwijderd tijdens gebruik, maar moet gesloten blijven als de draaitafel niet in gebruik is.
- 10. RCA Line Out-kabel**  
Sluit de RCA line out aan op een mixer of versterker in uw geluidssysteem.
- 11. Aan/uit-knop:**  
Gebruik deze knop voor het in-/uitschakelen van de draaitafel. Schakel de draaitafel na gebruik uit om energie te sparen..
- 12. Aansluiting stroomadapter:**  
Sluit hier de AC-adapteruitgang aan.
- 13. USB-poort:**  
Plaats een USB-stick om muziek van een plaat op te nemen.  
\* Het ontwerp is alleen geschikt voor gebruik van een USB-stick. Gebruik als u gebruik maakt van een harde schijf altijd externe voeding om stroomtekort en het oververhitten van het circuit (IC) te voorkomen.
- 14. Reject**  
Druk op deze knop om de arm te dwingen om direct terug te keren naar de armsteun
- 15. LED**
  - Opnemen op USB en de status van de LED-indicator
  - USB-opslagapparaat is niet aangesloten. -> LED is uit .
- 16.** USB-opslagapparaat is aangesloten -> LED knippert.
- 17.** Systeem is klaar voor opname -> LED brandt.
- 18.** Druk op REC om opname te starten -> LED knippert langzaam.
- 19.** Druk op SPLIT om een nieuw opnamebestand te creëren.
- 20.** Druk nogmaals op REC om de opname te stoppen. -> LED knippert kort en zal daarna weer constant branden.

Opmerking: Verwijder het USB-opslagapparaat niet als de LED knippert.

## Aansluiten op lichtnet

Zorg ervoor dat de netspanning in uw huis overeenkomt met de bedrijfsspanning van het apparaat. Uw apparaat is klaar om aangesloten te worden indien de netspanning juist is.

## Aansluiten versterker

Sluit de RCA line out-kabel (10) aan op de AUX-ingang van uw versterker:

- De rode stekker in de ingang van het R-kanaal.
- De witte stekker in de ingang van het L-kanaal.
- Plaats een plaat naar keuze op de draaitafel. Als het een 45-toerenplaat is, vergeet niet om de adapter (1) op de platenspil te plaatsen.
- Selecteer de gewenste afspeelsnelheid:
  - o 33 toeren -> knop is ontgrendeld
  - o 45 toeren -> knop is vergrendeld
- Ontgrendel de sluiting van de pick-up arm.
- Plaats de houder verticaal boven het eerste nummer van de plaat, het draaiplateau begint te draaien.
- Als de plaat is afgelopen zal de pick-up arm terugkeren naar de steun, het draaiplateau stopt met draaien.  
Zorg ervoor dat het stokje voor het optillen van de pickuparm naar voren is gedraaid (omlaag getild), sluit de vergrendeling van de pickuparm om de pickuparm vast te zetten.

## Technische specificaties

Voeding: AC100-240 60/50HZ

Stroomverbruik: 12W

Wow & Flutter: 0.25%

Vervorming: 3%~4%

S/N: 50 dB

Audio-uitgangsspanning: 500mV  $\pm$ 200mV

## \*BELANGRIJKE AANBEVELINGEN

Om maximaal van uw platen te genieten en deze lange tijd te kunnen gebruiken, adviseren wij u uw platen te reinigen met een geïmpregneerde doek met een antistatisch product.

Wij wijzen u er om dezelfde redenen op dat ook uw naald regelmatig dient te worden vervangen (ca. elke 250 uur).

Stof de naald van tijd tot tijd af met een zeer fijn borsteltje en een klein beetje alcohol (borstel van achter naar voren over het patroon).



## 1. Garantie

Lenco biedt service en garantie aan overeenkomstig met de Europese wetgeving. Dit houdt in dat u, in het geval van reparaties (zowel tijdens als na de garantieperiode), uw lokale handelaar moet contacteren.

Belangrijke opmerking: Het is niet mogelijk om producten die gerepareerd moeten worden direct naar Lenco te sturen.

Belangrijke opmerking: De garantie verloopt als een onofficieel servicecenter het apparaat op wat voor manier dan ook heeft geopend, of er toegang toe heeft gekregen.

Het apparaat is niet geschikt voor professioneel gebruik. In het geval van professioneel gebruik worden alle garantieverplichtingen van de fabrikant nietig verklaard.

## 2. Disclaimer

Er worden regelmatig updates in de firmware en/of hardwarecomponenten gemaakt. Daardoor kunnen gedeelten van de instructie, de specificaties en afbeeldingen in deze documentatie enigszins verschillen van uw eigen situatie. Alle onderwerpen die staan beschreven in deze handleiding zijn bedoeld als illustratie en zijn niet van toepassing op specifieke situaties. Aan de beschrijving in dit document kunnen geen rechten worden ontleend.

## 3. Afvoer van het oude apparaat



Dit symbool geeft aan dat het betreffende elektrische product of de batterij niet moet worden verwijderd als algemeen huishoudelijk afval in Europa. Zorg voor een juiste afvalverwerking door het product en de batterij in overeenstemming met alle van toepassing zijnde lokale wetten voor het verwijderen van elektrische apparatuur of batterijen te verwijderen. Als u dit doet, helpt u de natuurlijke hulpbronnen te behouden en de standaard van milieubescherming te verbeteren bij de behandeling en verwijdering van elektrisch afval (Afgedankte Elektrische en Elektronische Apparatuur).



## 4. CE-markering

Lenco Benelux B.V., Thermiekstraat 1a, 6361 HB Nuth, Nederland, verklaart hierbij dat dit product voldoet aan de vereisten van de essentiële EU-richtlijnen. De conformiteitsverklaring kan worden opgevraagd via [techdoc@commaxxgroup.com](mailto:techdoc@commaxxgroup.com)



## 5. Service

Bezoek voor meer informatie en helpdeskondersteuning [www.lenco.com](http://www.lenco.com)

Lenco Benelux BV, Thermiekstraat 1a, 6361 HB, Nederland.

**ACHTUNG:**

Eine andere als die hier beschriebene Bedienung, Einstellung oder Verwendung der Funktionen kann zu gefährlicher Strahlenbelastung führen.

**VORSICHTSMASSNAHMEN VOR DER BENUTZUNG**

**BEFOLGEN SIE IMMER FOLGENDE ANWEISUNGEN:**

1. Blockieren oder bedecken Sie keine Lüftungsöffnungen. Wenn Sie das Gerät auf ein Regal stellen, lassen Sie um das gesamte Gerät 5 cm (2") freien Platz.
2. Stellen Sie das Gerät entsprechend den Anweisungen der mitgelieferten Bedienungsanleitung auf.
3. Halten Sie das Gerät von Hitzequellen wie Radiatoren, Heizern, Öfen, Kerzen oder anderen hitzeerzeugenden Produkten oder offenen Flammen fern. Das Gerät darf nur bei gemäßigttem Klima verwendet werden. Sehr kalte oder heiße Umgebungen sind zu vermeiden. Der Betriebstemperaturbereich liegt zwischen 0 °C und 35 °C.
4. Meiden Sie bei der Nutzung des Produkts die Nähe starker Magnetfelder.
5. Elektrostatische Entladungen können die normale Verwendung von diesem Gerät stören. Sollte dies geschehen, führen Sie einfach einen Reset aus und starten Sie dann das Gerät entsprechend den Anweisungen dieser Bedienungsanleitung neu. Gehen Sie besonders bei Datenübertragungen mit dem Gerät vorsichtig um und führen Sie diese nur in einer antielektrischen Umgebung aus.
6. Warnung! Niemals Gegenstände durch die Lüftungsschlitze oder Öffnungen in das Gerät stecken. In diesem Gerät fließt Hochspannung und das Hineinstecken von Gegenständen kann zu elektrischem Schock und/oder Kurzschluss interner elektrischer Bauteile führen. Aus dem gleichen Grund kein Wasser oder Flüssigkeiten in das Gerät geben.
7. Benutzen Sie das Gerät nicht in nasser oder feuchter Umgebung wie Bad, Dampfküche oder in der Nähe von Schwimmbecken.
8. Das Gerät darf weder Tropf- noch Spritzwasser ausgesetzt werden und es dürfen keine mit Flüssigkeit gefüllten Behälter wie z.B. Vasen auf das Gerät oder in der Nähe des Gerätes gestellt werden.
9. Benutzen Sie das Gerät nicht bei Kondensationsgefahr. Wenn Sie das Gerät in einem warmen feuchten Raum benutzen, dann können sich im Inneren des Geräts Wassertropfen oder Kondensationen bilden und zu Fehlfunktionen des Geräts führen. Schalten Sie in diesem Fall das Gerät für 1 – 2 Stunden aus, bevor Sie es erneut einschalten: Das Gerät sollte vollständig getrocknet sein, wenn Sie es wieder einschalten.
10. Obwohl dieses Gerät unter größter Sorgfalt und vor Auslieferung mehrmals überprüft wurde, können trotzdem wie bei jedem anderen elektrischen Gerät auch Probleme auftauchen. Trennen Sie das Gerät im Falle einer Rauchentwicklung, starker Hitzeentwicklung oder jeden anderen unnatürlichen Erscheinung sofort vom Netz.
11. Dieses Gerät ist durch eine Stromquelle wie auf dem Typenschild angegeben zu betreiben. Halten Sie bei Unsicherheiten über die Art Ihrer Stromversorgung in Ihrer Wohnung Rücksprache mit Ihrem Händler oder Ihrer Stromzulieferfirma.
12. Halten Sie es von Haustieren fern. Einige Nagetiere lieben es, an Netzkabeln zu nagen.
13. Benutzen Sie für die Reinigung ein weiches und trockenes Tuch. Benutzen Sie niemals Lösungsmittel oder Flüssigkeiten auf Ölbasis. Benutzen Sie zum Entfernen hartnäckiger Flecken ein feuchtes Tuch mit mildem Reinigungsmittel.
14. Der Hersteller haftet nicht für Schäden oder Verluste durch Fehlfunktion, Zweckentfremdung oder Modifikation des Geräts oder durch Wechseln der Batterien.
15. Unterbrechen Sie die Verbindung nicht während einer Formatierung oder einer Datenübertragung. Bei Unterbrechung drohen Datenverlust und Datenbeschädigung.
16. Wenn das Gerät eine USB-Wiedergabefunktion besitzt, dann stecken Sie den USB-Stick direkt in das Gerät. Verwenden Sie kein USB-Verlängerungskabel, weil die erhöhte Störungsanfälligkeit zu Datenverlust führen könnte.
17. Das Typenschild befindet sich an der Unter- oder Rückseite des Geräts.
18. Dieses Gerät ist nicht zur Benutzung durch Personen (einschließlich Kinder) mit physischen, sensorischen oder mentalen Beeinträchtigungen oder ohne ausreichender Erfahrung vorgesehen, es sei denn, sie werden durch eine verantwortliche Person beaufsichtigt oder wurden in die ordnungsgemäße Bedienung des Gerätes durch eine für ihre Sicherheit verantwortliche Person eingewiesen.
19. Dieses Produkt ist nur für den nicht-professionellen Gebrauch und nicht für gewerbliche oder industrielle Zwecke bestimmt.
20. Stellen Sie sicher, dass das Gerät in einer stabilen Position aufgestellt ist. Schäden aufgrund Verwendung dieses Produkts in einer instabilen Position, Vibrationen, Stöße oder Nichtbeachtung der anderen in dieser

Bedienungsanleitung enthaltenen Warnungen und Sicherheitshinweise werden nicht durch die Garantie abgedeckt.

21. Entfernen Sie niemals das Gehäuse dieses Produkts.
22. Stellen Sie das Produkt niemals auf andere elektrische Geräte.
23. Halten Sie Kinder von den Plastiktüten fern.
24. Benutzen Sie nur vom Hersteller spezifizierte Erweiterungen/Zubehörteile.
25. Lassen Sie alle Eingriffe von qualifiziertem Servicepersonal ausführen. Eingriffe werden notwendig, wenn das Gerät auf irgendeine Weise wie beispielsweise am Netzkabel oder am Netzstecker beschädigt wurde, Flüssigkeit in das Gerät eingedrungen ist, Gegenstände in das Gerät gefallen sind, das Gerät Regen oder Feuchtigkeit ausgesetzt war, es heruntergefallen ist oder nicht ordnungsgemäß funktioniert.
26. Langes Hören lauter Töne aus einem Musikgerät kann zum zeitweiligen oder permanenten Hörverlust führen.
27. Wenn zum Lieferumfang des Produkts ein Netzkabel oder ein Netzadapter gehört:
  - Wenn irgendwelche Probleme auftreten, dann ziehen Sie den Netzstecker aus der Netzsteckdose und setzen Sie sich anschließend mit einer qualifizierten Fachkraft in Verbindung.
  - Treten Sie nicht auf das Netzteil und klemmen Sie es auch nicht ein. Geben Sie besonders im näheren Bereich des Steckers und der Stelle acht, wo das Kabel aus dem Gerät herausgeführt wird. Stellen Sie keine schweren Gegenstände auf das Netzteil, weil es dadurch beschädigt werden könnte. Halten Sie das gesamte Gerät außerhalb der Reichweite von Kindern! Durch Spielen mit dem Netzkabel können sie sich ernsthafte Verletzungen zuziehen.
  - Trennen Sie das Gerät während eines Gewitters oder bei längerer Nichtbenutzung vom Netz.
  - Die Wandsteckdose muss sich in der Nähe des Geräts befinden und einfach zu erreichen sein.
  - Steckdosen und Verlängerungsleitungen nicht überlasten. Eine Überlastung kann zu Brandgefahr bzw. Stromschlag führen.
  - Geräte der Schutzklasse 1 sind an eine Netzsteckdose mit Schutzleiter anzuschließen.
  - Geräte der Schutzklasse 2 benötigen keinen Schutzleiteranschluss.
  - Halten Sie den Netzstecker in der Hand, wenn Sie ihn aus der Netzsteckdose ziehen. Ziehen Sie ihn nicht durch Zerren am Kabel heraus. Das kann zu einem Kurzschluss führen.
  - Verwenden Sie weder ein beschädigtes Netzkabel noch einen beschädigten Stecker oder eine lockere Steckdose. Es besteht Brand- und Stromschlaggefahr.
28. Wenn das Produkt mit einer Fernbedienung mit Batterien/Knopfzellen geliefert wird oder das Produkt eine derartige Fernbedienung umfasst:

Warnung:

  - „Die Batterie nicht einnehmen, er besteht Verätzungsgefahr“.
  - [Die mit diesem Produkt mitgelieferte Fernbedienung] enthält eine Knopfzelle. Das Verschlucken der Batterie kann innerhalb von nur 2 Stunden zu schwersten inneren Verbrennungen mit Todesfolge führen.
  - Halten Sie neue und gebrauchte Batterien von Kindern fern.
  - Verwenden Sie dieses Produkt nicht weiter und halten Sie es von Kindern fern, wenn das Batteriefach nicht sicher schließt.
  - Suchen Sie umgehend ärztliche Hilfe auf, wenn Sie vermuten, dass Batterien verschluckt oder in Körperöffnungen eingeführt wurden.
29. Warnhinweise bzgl. der Verwendung von Batterien:
  - Es besteht Explosionsgefahr, wenn die Batterien nicht korrekt eingelegt werden. Nur mit Batterien des gleichen oder entsprechenden Typs ersetzen.
  - Die Batterie darf während der Benutzung, Aufbewahrung oder des Transports weder sehr hohen oder sehr niedrigen Temperaturen noch niedrigem Luftdruck in großen Höhenlagen ausgesetzt werden.
  - Die Ersetzung der Batterie mit einem falschen Batterietyp kann zum Explodieren der Batterie oder dem Auslaufen von entflammbarem Gas oder entflammbarer Flüssigkeit aus der Batterie führen.
  - Die Entsorgung der Batterie in Feuer oder einem heißen Ofen oder das mechanische Zerkleinern oder Zerteilen der Batterie kann zu Explosionen führen.
  - Das Verbleiben der Batterie in einer Umgebung mit sehr hohen Temperaturen kann zum Explodieren der Batterie oder dem Auslaufen von entflammbarem Gas oder entflammbarer Flüssigkeit führen.
  - Eine in einem sehr niedrigen Luftdruck ausgesetzte Batterie kann explodieren oder es kann aus einer in einem sehr niedrigen Luftdruck ausgesetzten Batterie entflammbares Gas oder entflammbare Flüssigkeit auslaufen.
  - Augenmerk ist auf den ökologischen Aspekt der Batterieentsorgung zu legen.

## ANSCHLUSS

- Packen Sie alle Teile aus und entfernen Sie danach die Schutzmaterialien.
- Schließen Sie das Gerät nicht eher an das Netz an, bevor Sie die Netzspannung überprüft haben und alle anderen notwendigen Verbindungen hergestellt sind.
- Die belüftungsöffnungen nicht blockieren. Achten sie darauf, dass um das gerät herum mehrere zentimeter freier platz ist.

### Netzteiladapter

Hersteller: Dongguan Blue Iron Enterprise

Modellnummer: BI12T-120100-I

**Verwenden Sie nur den originalen AC-Adapter**

**Verwenden Sie nur die im Handbuch angegebene Stromversorgung**

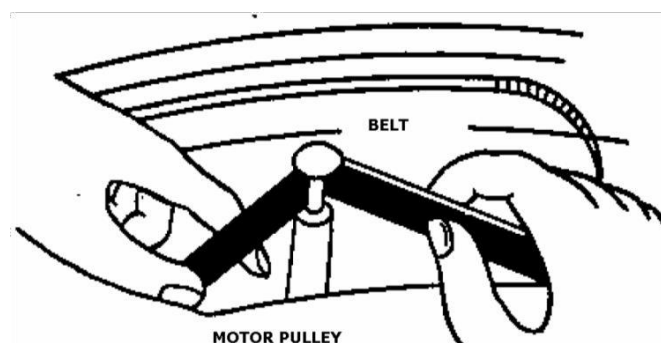
Informationen	Wert und Genauigkeit
Name des Herstellers oder der Handelsmarke, kommerzielle Zulassung und Anschrift	- Dongguan Blue Iron Enterprise
Modellidentifikator	- BI12T-120100-I
Eingangsspannung	100-240V, 50/60H, 0.5A
Wechselstromfrequenz des AC-Eingangs	100-240V
Ausgangsspannung	3.0-24.0V
Ausgangsstrom	0.01-2.4A
Ausgangsleistung	12W
Durchschnittliche Effizienz bei Normallast	84.1%
Effizienz bei Niederlast (10 %)	79.27%
Leistungsaufnahme bei Nulllast	0.08W

## Montage

### Antriebsriemen:

Der Riemen und der Plattenteller wurden bereits werksseitig installiert. Der Riemen kann jedoch während des Transports erschlaffen. Gehen Sie in solch einem Fall wie folgt vor, um den Riemen eigenständig zu installieren.

- A. Entfernen Sie die Gummimatte vom Plattenteller und den E-Ring von der Plattenwelle. Nehmen Sie dann den Plattenteller von der Welle.
- B. Setzen Sie den Antriebsriemen auf den inneren Rand des Plattentellers und ziehen Sie ihn durch das Loch.
- C. Halten Sie den Riemen mit Ihren Fingern fest und setzen Sie den Riemen dann auf die MOTORRIEMENSCHLEIBE wie nachfolgend dargestellt.



D. Befestigen Sie den E-Ring an der Welle und setzen Sie die Gummimatte auf den Plattenteller.

**Vorsicht:**

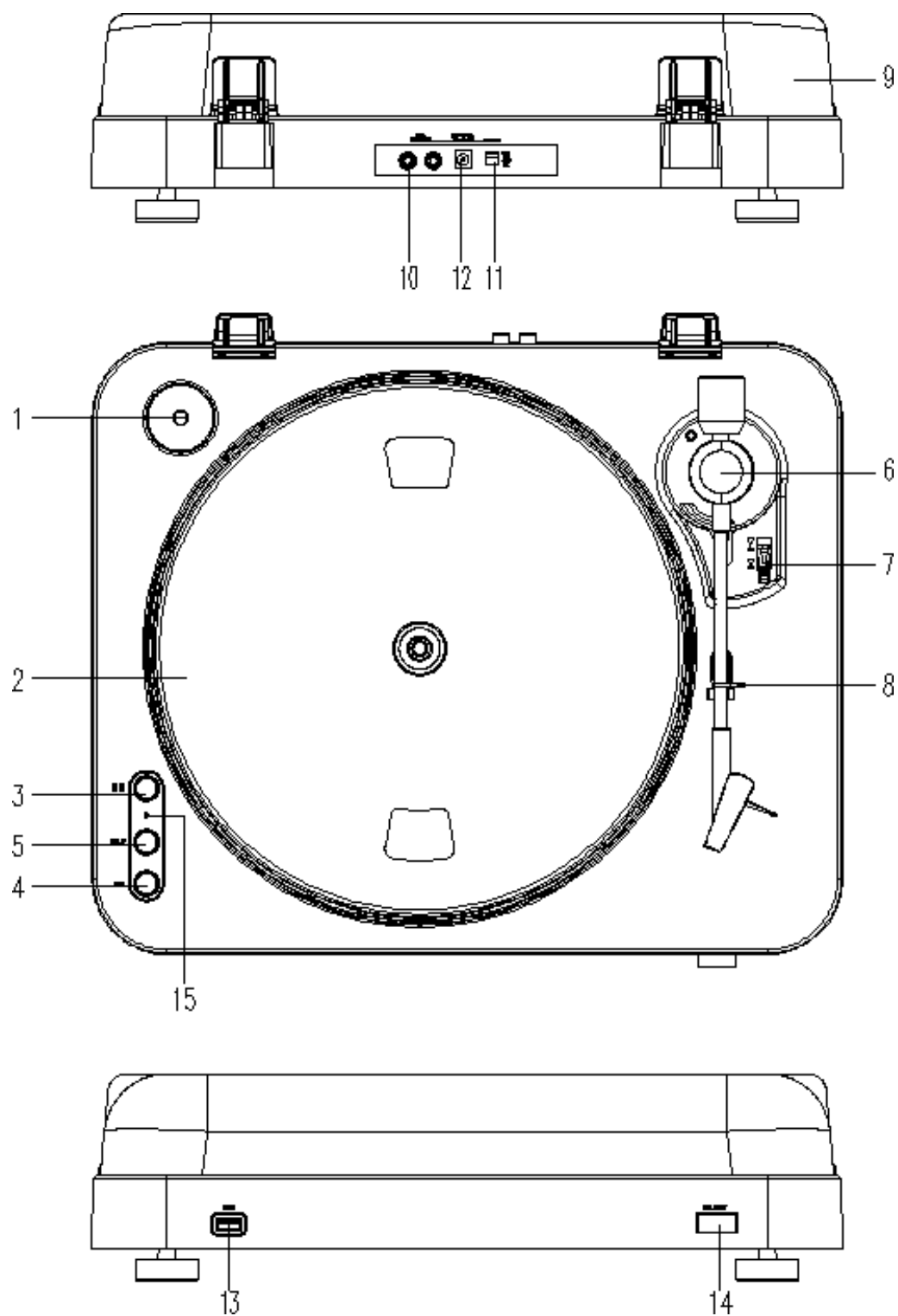
1. Vergewissern Sie sich, dass der Antriebsriemen weder verdreht noch verformt ist.
2. Vermeiden Sie Öl. Durch Ölspritzer wird der Riemen rutschig.

Rückstellung des automatischen Rückführmechanismus:

Setzen Sie den automatischen Rückführmechanismus immer zurück, nachdem Sie das Gerät umgestellt haben. Beim Umstellen des Geräts dreht sich der Rückholmechanismus unregelmäßig und kann daher Fehlfunktionen verursachen. Setzen Sie den Mechanismus wie folgt zurück:

1. Legen Sie eine Schallplatte auf und starten Sie die Wiedergabe.
2. Heben Sie den Tonarm manuell an und setzen Sie ihn dann auf das leere Ende der Schallplatte.
3. Der Mechanismus der Rückföhrfunktion wird entsprechend eingestellt und der Tonarm kehrt automatisch zur Tonarmstütze zurück.

## Aufbau des Geräts



- 1. Adapter:**  
Verwenden Sie diesen Adapter für die Wiedergabe von 45-er Schallplatten.
  - 2. Plattenteller:**  
Legen Sie hier die Schallplatten für die Wiedergabe auf.
  - 3. Umschalter 33/45-er Platten:**  
Stellen Sie den Schalter entsprechend ein, um 33-er oder 45-er Platten mit entsprechender Geschwindigkeit abzuspielen.
  - 4. Aufnahme (REC):**  
Drücken Sie diese Taste, um den Aufnahmemodus zu aktivieren.
  - 5. Trennen (SPLIT)**  
Aktuelle Aufnahme beenden, eine Aufnahme datei manuell erstellen, und dann die Aufnahme des nächsten Titels fortsetzen.
  - 6. Tonarmhalterung**
  - 7. Lifthebel des Tonarms:**  
Tonarm anheben und an einer bestimmten Stelle der Schallplatte herablassen.
  - 8. Verriegelung des Tonarms:**  
Verriegeln Sie den Tonarm entsprechend, wenn das Gerät nicht verwendet wird.
  - 9. Staubabdeckung:**  
Zum Schutz des Geräts vor Staub. Sie können die Abdeckung während des Gebrauchs öffnen oder schließen. Lassen Sie die Abdeckung während des Nichtgebrauchs geschlossen.
  - 10. RCA-Ausgangskabel**  
Verbinden Sie die RCA-Ausgänge mit einem Mixer oder Verstärker Ihrer Musikanlage.
  - 11. Betriebstaste:**  
Gerät ein- oder ausschalten. Schalten Sie das Gerät nach der Wiedergabe von Schallplatten aus, um Strom zu sparen.
  - 12. Netzteilanschluss:**  
Hier mit dem AC-Netzteilanschluss verbinden.
  - 13. USB-Eingang:**  
Schließen Sie einen USB-Stick an, um Musik der Schallplatte aufzunehmen.  
\*Nur für USB-Flashgeräte. Um eine unzureichende Stromversorgung oder eine Überhitzung des Kreislaufs (IC) zu vermeiden, verwenden Sie immer die externe Stromversorgung, wenn Sie eine Festplatte verwenden.
  - 14. Rückführung**  
Drücken Sie diese Taste, um den Tonarm direkt zur Armstütze zurückzuführen.
  - 15. LED**
    - Anzeige für USB-Aufnahme und LED-Signal
    - USB-Speichergerät nicht angeschlossen -> LED ist aus.
  - 16. USB-Speichergerät angeschlossen -> LED blinkt.**
  - 17. System ist bereit für die Aufnahme -> LED leuchtet.**
  - 18. Drücken Sie REC, um die Aufnahme zu starten -> LED blinkt langsam.**
  - 19. Drücken Sie SPLIT, um eine neue Aufnahme datei zu erstellen.**
  - 20. Drücken Sie REC erneut, um die Aufnahme zu beenden -> LED blinkt kurz und leuchtet dann wieder kontinuierlich.**
- Hinweis: Trennen Sie das USB-Gerät nicht, wenn die LED blinkt.

## **Anschluss an die Stromversorgung**

Vergewissern Sie sich, dass die Netzspannung in Ihrem Haushalt mit der Betriebsspannung des Geräts übereinstimmt. Ihr Gerät ist bereit, an eine richtige Spannungsversorgung Ihres Standorts angeschlossen zu werden.

## **Verbindung mit einem Verstärker**

Verbinden Sie das RCA-Ausgangskabel (10) mit dem AUX-Eingang Ihres Verstärkers:

- Roten Stecker an R Eingangskanal anschließen.
- Weißen Stecker an L Eingangskanal anschließen.
- Legen Sie die gewünschte Schallplatte auf das Gerät. Falls Sie eine 45-er Schallplatte auflegen, vergessen Sie nicht, den Adapter (1) auf der Welle zu installieren.
- Wiedergabegeschwindigkeit einstellen:
  - o 33 U/min -> Taste entsperrt
  - o 45 U/min -> Taste gesperrt.
- Lösen Sie den Clip des Tonarms.
- Setzen Sie den Tonabnehmer vertikal auf die erste Spur der Schallplatte; die Schallplatte beginnt sich zu drehen.
- Am Ende der Schallplatte kehrt der Tonarm zur Tonarmstütze zurück; die Schallplatte hört auf sich zu drehen.  
Achten Sie darauf, dass der Lifthebel des Tonarms nach vorn gestellt ist (Hebel unten).  
Schließen Sie den Verschluss, um den Tonarm zu sichern.

## **Technische Daten**

Stromversorgung: AC100-240 60/50HZ

Stromverbrauch: 12W

Tonhöenschwankungen: 0,25%

Verzerrungen: 3% - 4%

S/N: 50 dB

Audioausgangsspannung: 500mV  $\pm$ 200mV

### **\*WICHTIGE EMPFEHLUNGEN**

Wir empfehlen Ihnen, Ihre Schallplatten mit einem Tuch zu reinigen, das mit Antistatik-Produkt befeuchtet wurde, damit Sie Ihre Schallplatten in besserer Qualität und für längere Zeit genießen können.

Wir möchten auch darauf hinweisen, dass aus den gleichen Gründen die Nadel in regelmäßigen Abständen ersetzt werden sollte (ca. Alle 250 Stunden).

Entfernen Sie hin und wieder den Staub von der Nadel, indem Sie einen sehr weichen Pinsel verwenden, der in Alkohol eingetaucht wurde (bewegen Sie den Pinsel von hinten nach vorn über den Tonabnehmer).



## 1. Garantie

Lenco bietet Leistungen und Garantien im Einklang mit Europäischem Recht. Im Falle von Reparaturen (sowohl während als auch nach Ablauf der Garantiezeit) sollten Sie deshalb Ihren Einzelhändler kontaktieren.

Wichtiger Hinweis: Es ist nicht möglich, Geräte für Reparaturen direkt an Lenco zu schicken.

Wichtiger Hinweis: Falls dieses Gerät von einem nicht autorisierten Kundendienst geöffnet oder darauf zugegriffen wird, erlischt die Garantie.

Dieses Gerät ist nicht für professionelle Zwecke geeignet. Falls das Gerät für professionelle Zwecke eingesetzt wird, erlöschen alle Garantieverpflichtungen seitens des Herstellers.

## 2. Haftungsausschluss

Aktualisierungen der Firmware und/oder Hardware-Komponenten werden regelmäßig durchgeführt. Daher können einige der Anweisungen, Spezifikationen und Abbildungen in dieser Dokumentation von Ihrer individuellen Situation abweichen. Alle in diesem Handbuch beschriebenen Elemente dienen nur zur Illustration und treffen auf Ihre individuelle Situation möglicherweise nicht zu. Aus der in diesem Handbuch getätigten Beschreibung können keine Rechtsansprüche oder Ansprüche geltend gemacht werden.

## 3. Entsorgung des Altgeräts



Dieses Symbol zeigt an, dass das entsprechende Produkt oder dessen Batterie in Europa nicht mit dem normalen Hausmüll entsorgt werden darf. Um die ordnungsgemäße Abfallbehandlung des Produkts und dessen Batterie zu gewährleisten, müssen diese im Einklang mit allen anwendbaren örtlichen Vorschriften zur Entsorgung von Elektrogeräten und Batterien entsorgt werden. Dabei helfen Sie, natürliche Ressourcen zu schonen und Umweltschutzstandards zur Verwertung und Entsorgung von Altgeräten aufrecht zu halten (Waste Electrical and Electronic Equipment Directive).

## 4. CE-Kennzeichen

Hiermit erklärt Lenco Benelux B.V., Thermiekstraat 1a, 6361 HB Nuth, The Netherlands, dass dieses Produkt den grundsätzlichen Anforderungen der EU-Richtlinie entspricht. Die Konformitätserklärung ist erhältlich unter [techdoc@commaxxgroup.com](mailto:techdoc@commaxxgroup.com)



## 5. Service

Weitere Informationen und Unterstützung erhalten Sie unter [www.lenco.com](http://www.lenco.com)

Lenco Benelux BV, Thermiekstraat 1a, 6361 HB, Die Niederlande.

**ATTENTION :**

L'utilisation de commandes ou d'ajustements ou l'exécution de procédures autres que celles spécifiées dans le présent document peuvent entraîner une exposition dangereuse aux radiations.

**PRÉCAUTIONS AVANT UTILISATION**

**GARDEZ CES INSTRUCTIONS À L'ESPRIT :**

1. Ne couvrez pas et n'obtenez pas les ouvertures de ventilation. Lorsque vous placez l'appareil sur une étagère, laissez 5 cm (2") d'espace libre tout autour de l'appareil.
2. Installez-le conformément au mode d'emploi fourni.
3. Gardez l'appareil à l'écart des sources de chaleur telles que des radiateurs, appareils de chauffage, fours, bougies et autres produits générant de la chaleur ou une flamme nue. L'appareil ne peut être utilisé que dans des climats modérés. Les environnements extrêmement froids ou chauds doivent être évités. La plage de température de fonctionnement se situe entre 0° et 35° C.
4. Évitez d'utiliser l'appareil à proximité de champs magnétiques puissants.
5. Des décharges électrostatiques peuvent perturber le fonctionnement de cet appareil. Dans ce cas, il suffit de réinitialiser et de redémarrer l'appareil en suivant le mode d'emploi. Pendant le transfert de fichiers, manipulez l'appareil avec précaution et faites-le fonctionner dans un environnement sans électricité statique.
6. Mise en garde ! N'introduisez jamais un objet dans l'appareil par les ouvertures et les fentes de ventilation. Étant donné que des tensions élevées sont présentes à l'intérieur du produit, l'insertion d'un objet peut entraîner une électrocution et/ou court-circuiter les composants internes. Pour les mêmes raisons, ne versez pas de l'eau ou un liquide sur le produit.
7. Ne l'utilisez pas dans des endroits humides tels qu'une salle de bain, une cuisine pleine de vapeur ou à proximité d'une piscine.
8. L'appareil ne doit pas être exposé à des écoulements ou des éclaboussures et aucun objet contenant un liquide, tel qu'un vase, ne doit être posé sur ou près de l'appareil.
9. N'utilisez pas cet appareil lorsque de la condensation est possible. Lorsque l'appareil est utilisé dans une pièce humide et chaude, des gouttelettes d'eau ou de la condensation peuvent se former à l'intérieur de l'appareil et affecter son fonctionnement. Laissez l'appareil hors tension pendant 1 ou 2 heures avant de le mettre en marche : l'appareil doit être sec avant sa mise sous tension.
10. Bien que ce dispositif soit fabriqué avec le plus grand soin et contrôlé à plusieurs reprises avant de quitter l'usine, des problèmes peuvent néanmoins survenir, comme avec tous les appareils électriques. Si l'appareil émet de la fumée ou en cas d'accumulation excessive de la chaleur ou d'un phénomène inattendu, débranchez immédiatement la fiche d'alimentation du secteur.
11. Cet appareil doit fonctionner avec la source d'alimentation indiquée sur la plaque signalétique. Si vous n'êtes pas sûr du type d'alimentation utilisé chez vous, contactez votre revendeur ou le fournisseur local d'électricité.
12. Tenez l'appareil à l'abri des animaux. Certains animaux aiment ronger les cordons électriques.
13. Pour nettoyer l'appareil, servez-vous d'un chiffon doux et sec. N'utilisez pas de solvant ni d'autre liquide à base de pétrole. Pour enlever les taches importantes, vous pouvez vous servir d'un chiffon humide imbibé d'une solution de détergent diluée.
14. Le fournisseur n'est pas responsable des dommages ou pertes de données causés par un dysfonctionnement, une utilisation abusive, une modification de l'appareil ou un remplacement de la batterie.
15. N'interrompez pas la connexion lorsque l'appareil formate ou transfère des fichiers. Dans le cas contraire, les données pourraient être endommagées ou perdues.
16. Si l'appareil a une fonction de lecture USB, il faut brancher la clé USB directement sur l'appareil. N'utilisez pas un câble d'extension USB, car cela peut causer des interférences entraînant des pertes de données.
17. L'étiquette de classification se trouve sur le panneau inférieur ou arrière de l'appareil.
18. Cet appareil ne doit pas être utilisé par des personnes (y compris les enfants) souffrant de déficiences physiques, sensorielles ou mentales, ou d'un manque d'expérience et de connaissances, à moins qu'elles n'aient été supervisées ou qu'une personne responsable de leur sécurité ne leur ait donné des instructions sur l'utilisation correcte de l'appareil.
19. Ce produit est réservé à un usage non professionnel, et non pas à un usage commercial ni industriel.
20. Vérifiez que l'appareil est en position stable. La garantie ne couvre pas les dégâts occasionnés par l'utilisation de cet appareil en position instable, par les vibrations, les chocs ou par la non-observation de tout autre avertissement ou précaution contenus dans ce mode d'emploi.
21. N'ouvrez jamais cet appareil.
22. Ne placez jamais cet appareil sur un autre appareil électrique.
23. Ne laissez pas les sacs en plastique à la portée des enfants.

24. Utilisez uniquement les accessoires recommandés par le fabricant.
25. Confiez l'entretien et les réparations à un personnel qualifié. Une réparation est nécessaire lorsque l'appareil a été endommagé de quelque façon que ce soit, par exemple lorsque le cordon d'alimentation ou la prise sont endommagés, lorsqu'un liquide s'est déversé ou des objets sont tombés sur l'appareil, lorsque l'appareil a été exposé à la pluie ou à l'humidité, lorsqu'il ne fonctionne pas correctement ou est tombé.
26. Une exposition prolongée à la musique avec un volume élevé peut entraîner une perte auditive temporaire ou permanente.
27. Si l'appareil est livré avec un câble d'alimentation ou un adaptateur secteur :
- En cas de problème, débranchez le cordon d'alimentation CA et confiez l'entretien à un personnel qualifié.
  - Ne marchez pas sur l'adaptateur secteur ou ne le coincez pas. Faites très attention, en particulier à proximité des fiches et du point de sortie du câble. Ne placez pas d'objets lourds sur l'adaptateur secteur, car ils pourraient l'endommager. Gardez l'appareil hors de portée des enfants ! Ils pourraient se blesser gravement s'ils jouent avec le câble d'alimentation.
  - Débranchez cet appareil pendant les orages ou lorsqu'il n'est pas utilisé pendant une longue durée.
  - La prise secteur doit être installée près de l'appareil et doit être facilement accessible.
  - Ne surchargez pas les prises de courant ou les rallonges. Une surcharge peut entraîner un incendie ou une électrocution.
  - Les appareils de classe 1 doivent être branchés à une prise de courant disposant d'une connexion protectrice à la terre.
  - Les appareils à la norme de construction de classe 2 ne nécessitent pas de connexion à la terre.
  - Tirez toujours sur la fiche pour débrancher le cordon de la prise secteur. Ne tirez pas sur le cordon d'alimentation. Cela pourrait provoquer un court-circuit.
  - N'utilisez pas un cordon ou une fiche d'alimentation endommagé ni une prise desserrée. Vous courez un risque d'incendie ou de décharge électrique.
28. Si le produit contient ou est livré avec une télécommande contenant des piles boutons :
- Avertissement :
- « N'ingérez pas la pile, car vous risquez une brûlure chimique » ou une formule équivalente.
  - La télécommande fournie contient une pile bouton/pièce de monnaie. Si la pile est avalée, elle peut causer de graves brûlures internes en seulement 2 heures et peut entraîner la mort.
  - Tenez les piles neuves et usagées hors de portée des enfants.
  - Si le compartiment à piles ne se ferme pas correctement, cessez d'utiliser l'appareil et tenez-le hors de portée des enfants.
  - Si vous pensez que les piles ont été avalées ou placées à l'intérieur d'une partie du corps, consultez un médecin immédiatement.
29. Mise en garde relative à l'utilisation des piles :
- Risque d'explosion si la pile est mal remplacée. Remplacez les piles par des piles d'un type identique ou équivalent.
  - Pendant l'utilisation, le stockage ou le transport, la pile ne doit pas être soumise à des températures extrêmement élevées ou basses, à une faible pression d'air à haute altitude.
  - Le remplacement d'une pile par une autre de type incorrect peut entraîner une explosion ou une fuite de liquide ou de gaz inflammable.
  - L'introduction d'une pile dans le feu ou dans un four chaud, l'écrasement ou le découpage mécanique peut entraîner une explosion.
  - L'exposition d'une pile dans un environnement à température extrêmement élevée peut entraîner une explosion ou une fuite de liquide ou de gaz inflammable.
  - L'exposition d'une pile à une pression d'air extrêmement basse peut entraîner une explosion ou une fuite de liquide ou de gaz inflammable.
  - Veuillez considérer les questions environnementales lors de la mise au rebut des piles.

## INSTALLATION

- Déballez toutes les pièces et enlevez le matériau de protection.
- Ne connectez pas l'unité au secteur avant d'avoir vérifié la tension du secteur et avant que toutes les autres connexions n'aient été effectuées.

## Adaptateur de puissance

Fabricant : Dongguan Blue Iron Enterprise

Numéro du modèle : BI12T-120100-I

**Utilisez uniquement l'adaptateur CA d'origine**

**Utilisez uniquement l'alimentation électrique indiquée dans le mode d'emploi**

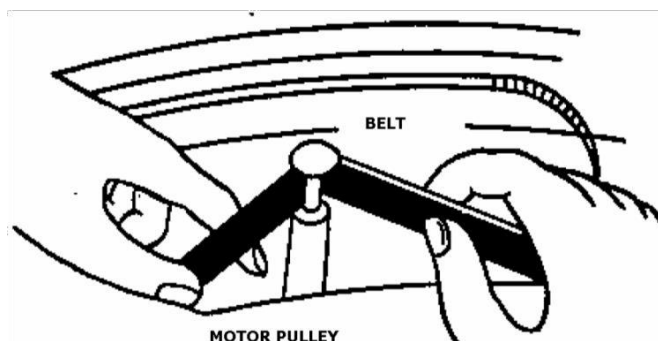
Informations	Valeur et précision
Nom ou marque du fabricant, enregistrement commercial et adresse	- Dongguan Blue Iron Enterprise
Référence du modèle	- BI12T-120100-I
Tension d'entrée	100-240V, 50/60H, 0.5A
Fréquence du CA d'entrée	100-240V
Tension de sortie	3.0-24.0V
Courant de sortie	0.01-2.4A
Puissance de sortie	12W
Rendement moyen en mode actif	84.1%
Rendement à faible charge (10 %)	79.27%
Consommation électrique sans charge	0.08W

## Assemblage

### Courroie :

La courroie et le plateau tourne-disque ont été correctement installés à l'usine, mais il se peut que la courroie se desserre lors du transport. Si tel est le cas, veuillez suivre les instructions suivantes pour installer la courroie vous-même.

1. Enlevez le tapis de caoutchouc du plateau tourne-disque et l'anneau E de l'axe du tourne-disque, puis enlevez le plateau tourne-disque de l'axe.
2. Mettez la courroie sur le bord intérieur du plateau tourne-disque et tirez-la par le trou.
3. Maintenez la courroie avec vos doigts et placez-la sur la poulie du moteur comme indiqué sur le dessin.



4. Accrochez l'anneau E sur l'axe et placez le tapis de caoutchouc sur le plateau tourne-disque.

**Attention:**

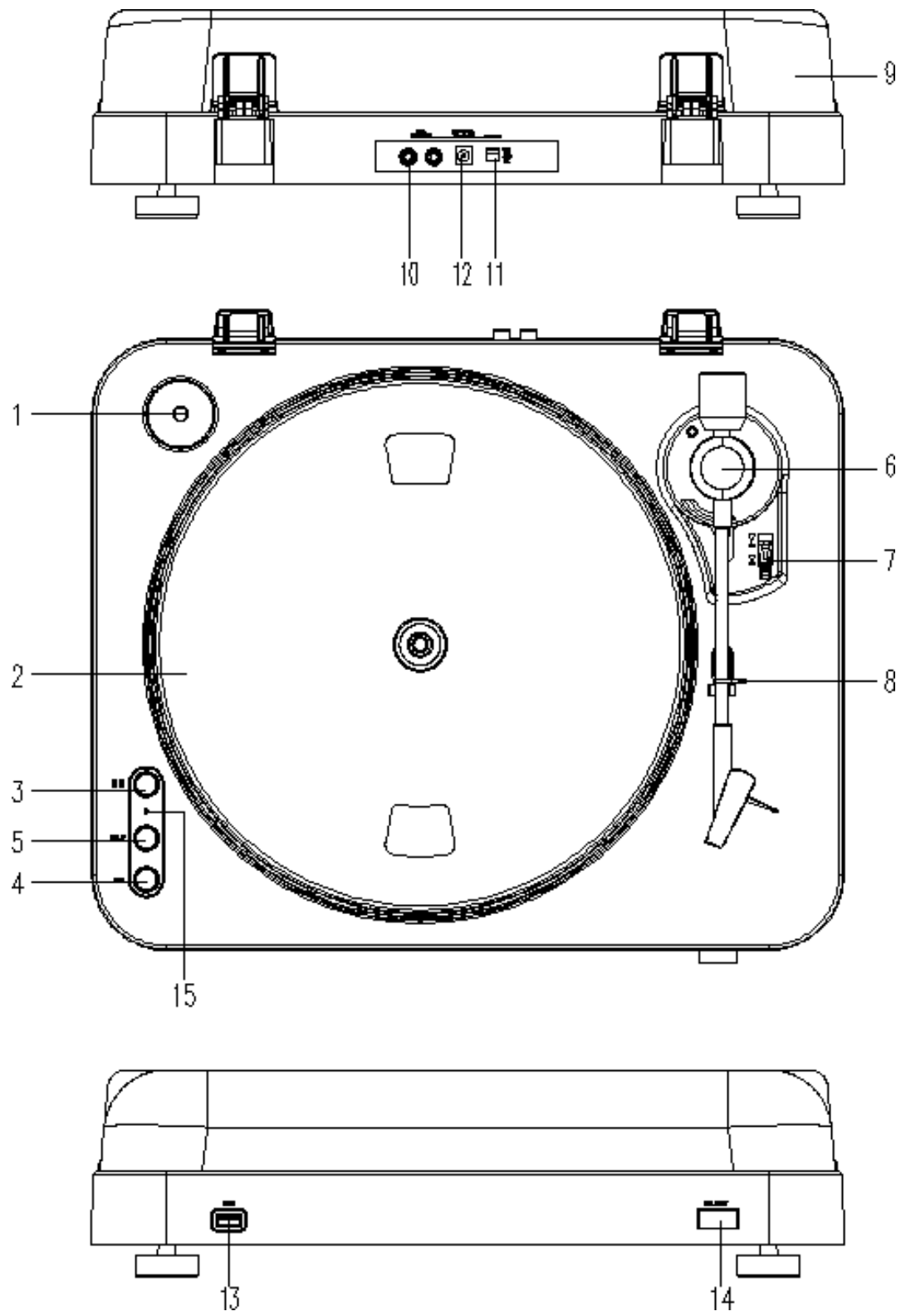
1. Assurez-vous que la courroie ne soit pas entortillée ou tordue.
2. Évitez l'huile Les taches d'huiles rendent la courroie glissante.

**Réinitialisation du retour automatique**

Réinitialisez systématiquement le retour automatique dès que vous bougez ce produit. Le mécanisme de retour automatique tournera irrégulièrement après un déplacement et cela causera un dysfonctionnement du retour automatique. Suivez les instructions suivantes pour réinitialiser le mécanisme.

1. Placez un disque sur le plateau et jouez-le.
2. Levez le bras de lecture et placez-le sur la partie blanche au centre du disque.
3. Le mécanisme de retour automatique sera correctement ajusté et le bras de lecture retournera automatiquement sur le repose-bras.

## Description



- 1. Adaptateur :**  
Utilisez cet adaptateur lorsque vous jouez des disques 45 tours.
- 2. Plateau :**  
Placez un disque ici pour le jouer
- 3. Bouton 33/45 tours :**  
Positionnez sur 33 ou 45 tours pour lire un disque à la vitesse appropriée.
- 4. REC :**  
Appuyez sur ce bouton pour passer en mode enregistrement.
- 5. SPLIT**  
Pour arrêter l'enregistrement en cours, passer manuellement sur une autre piste puis continuer à enregistrer la chanson suivante.
- 6. Pied du bras de lecture :**
- 7. Tige levier du bras de lecture :**  
Pour soulever et baisser le bras de lecture et le placer sur le point approprié d'un disque vinyle.
- 8. Verrou du bras de lecture :**  
Utilisez cet accessoire pour verrouiller le bras de lecture à sa place lorsqu'il est inutilisé.
- 9. Capot anti poussière :**  
Utilisez cet accessoire pour protéger le tourne-disque de l'exposition à la poussière. Le capot peut être ouvert et enlevé en cours d'utilisation, mais il doit rester fermé lorsque le tourne-disque est inutilisé.
- 10. Cable sortie RCA**  
Connectez la sortie RCA sur un mélangeur ou un amplificateur de votre système de sonorisation.
- 11. Interrupteur :**  
Allumez ou éteignez votre appareil grâce à ce bouton. Éteignez l'unité après avoir terminé la lecture, pour économiser de l'énergie.
- 12. Branchement de l'adaptateur de courant:**  
Branchez ici la sortie de l'adaptateur secteur.
  
- 13. Entrée Port USB :**  
Branchez une clé USB pour enregistrer de la musique depuis un disque.  
\*uniquement conçu pour les clés USB à mémoire flash. Pour prévenir les baisses de tension et les surchauffe du circuit (IC), utilisez systématiquement une source d'alimentation externe si vous utilisez un disque dur.
  
- 14. Rejeter**  
Appuyez pour forcer le bras à retourner directement sur le support.
- 15. DEL**
  - Signaux d'indication lumineuse des opérations d'enregistrement USB
  - Le dispositif de stockage USB n'est pas branché. -> la DEL est éteinte
- 16.** Le dispositif de stockage USB est branché -> la DEL scintille
- 17.** Le système est prêt à enregistrer. -> la DEL est allumée
- 18.** Appuyez sur la touche REC pour démarrer l'enregistrement. -> la DEL clignote lentement.
- 19.** Appuyez sur la touche SPLIT pour créer un nouveau fichier d'enregistrement.
- 20.** Appuyez à nouveau sur la touche REC pour stopper l'enregistrement. -> la DEL clignote un court instant, puis la lumière de la DEL se stabilise à nouveau.

Remarque : N'enlevez pas le dispositif de stockage USB lorsque la DEL clignote.

## Connexion au secteur

Assurez-vous que la tension du secteur de votre foyer corresponde à la tension de fonctionnement de l'unité. Votre unité est prête à être connectée à voltage correct de la location de votre choix.

## Connexion de l'amplificateur

Connectez le câble de sortie RCA (10) à l'entrée AUX de votre amplificateur.

- La fiche rouge dans l'entrée R de la chaîne.
- La fiche blanche dans l'entrée L de la chaîne.
- Placez le disque de votre choix sur le tourne-disque. S'il s'agit d'un 45 tours, n'oubliez pas de placer l'adaptateur (1) sur la broche du tourne-disque.
- Choisissez la vitesse de lecture désirée :
  - o 33 tours -> bouton déverrouillé
  - o 45 tours -> bouton verrouillé
- Relâchez la tige levier du bras de lecture.
- Placez le bras de lecture verticalement au dessus de la première piste du disque, le tourne-disque se met à tourner.
- Lorsque le disque est fini, le bras de lecture retourne en position de repos, le tourne-disque cesse de tourner.  
Veillez à ce que la tige levier du bras de lecture soit tournée vers l'avant (baissée), fermez le verrou du bras de lecture pour fixer ce dernier.

## Spécifications techniques

Alimentation : AC100-240 60/50HZ

Consommation énergétique 12W

Pleurage et grésillement : 0,25%

Distorsion : 3%~4%

S/N: 50 dB

Tension sortie audio : 500mV  $\pm$ 200mV

### **\*RECOMMANDATIONS IMPORTANTES**

Nous vous recommandons de nettoyer les disques avec un tissu imprégné de produit antistatique pour que vous en profitiez au maximum et pour prolonger leur vie.

Remarque : pour les mêmes raisons votre tête de lecture doit être changée périodiquement (environ toutes les 250 heures).

Époussetez la tête de lecture de temps en temps grâce à une brosse très douce trempée dans de l'alcool (en brossant de l'arrière vers l'avant de la cartouche).



## 1. Garantie

Lenco propose un entretien et une garantie conformément à la législation européenne, ce qui signifie qu'en cas de besoin de réparation (aussi bien pendant et après la période de garantie), vous pouvez contacter votre revendeur le plus proche.

Remarque importante : Il n'est pas possible de renvoyer l'appareil pour réparation directement à Lenco.

Remarque importante : Si l'unité est ouverte ou modifiée de quelque manière que ce soit par un réparateur non agréé, la garantie serait caduque.

Cet appareil ne convient pas à une utilisation professionnelle. En cas d'utilisation professionnelle, les obligations de garantie du fabricant seront annulées.

## 2. Clause de non responsabilité

Des mises à jour du logiciel et/ou des composants informatiques sont régulièrement effectuées. Il se peut donc que certaines instructions, caractéristiques et images présentes dans ce document diffèrent légèrement de votre configuration spécifique. Tous les articles décrits dans ce guide le sont fournis uniquement à des fins d'illustration et peuvent ne pas s'appliquer à une configuration spécifique. Aucun droit légal ne peut être obtenu depuis les informations contenues dans ce manuel.

## 3. Mise au rebut de l'appareil usagé



Ce symbole indique que l'équipement électrique concerné ou la batterie ne doivent pas être jetés parmi les autres déchets ménagers en Europe. Afin de garantir un traitement approprié de la batterie ou de l'appareil usagés, veuillez les mettre au rebut conformément à la réglementation locale en vigueur relative aux équipements électriques et autres batteries. En agissant de la sorte, vous contribuerez à la préservation des ressources naturelles et à l'amélioration des niveaux de protection environnementale concernant le traitement et la destruction des déchets électriques (Directive sur les déchets des équipements électriques et électroniques).

## 4. Marquage CE

Par la présente, Lenco Benelux B.V., Thermiekstraat 1a, 6361 HB Nuth, Pays-Bas, déclare que ce produit est conforme aux exigences principales des directives européennes. La déclaration de conformité peut être consultée au lien : [techdoc@commaxxgroup.com](mailto:techdoc@commaxxgroup.com)



## 5. Service

Pour en savoir plus et obtenir de l'assistance, visitez [www.lenco.com](http://www.lenco.com)

Lenco Benelux BV, Thermiekstraat 1a, 6361 HB, The Netherlands.

**PRECAUCIÓN:**

El uso de controles o ajustes o rendimiento de procedimientos excepto aquellos que los aquí especificados puede provocar una exposición peligrosa a la radiación.

**PRECAUCIONES PREVIAS AL USO****TENGA ESTAS INSTRUCCIONES EN MENTE:**

1. No cubra o bloquee ninguna apertura de ventilación. Cuando coloque el dispositivo en una estantería, deje 5 cm (2") de espacio libre alrededor de todo el dispositivo.
2. Instálelo conforme al manual de usuario que se adjunta.
3. Mantenga el aparato alejado de fuentes de calor, como radiadores, calentadores, estufas, velas u otros productos que generen calor o llama viva. El aparato solo puede usarse en climas moderados. Se deben evitar los ambientes extremadamente fríos o cálidos. La gama de temperatura de funcionamiento es de entre 0° y 35°C.
4. Evite usar el dispositivo cerca de campos magnéticos fuertes.
5. Una descarga electrostática puede entorpecer el uso normal de este dispositivo. En tal caso, simplemente reinicielo siguiendo el manual de instrucciones. Durante la transmisión de archivos, por favor manéjelo con cuidado opérela en un entorno libre de electricidad estática.
6. ¡Advertencia! Nunca inserte un objeto en el producto a través de las ventilaciones o aperturas. Alto voltaje fluye a través del producto e insertar un objeto puede provocar una descarga eléctrica y/o un cortocircuito de sus componentes internos. Por el mismo motivo, no derrame agua o líquidos en el producto.
7. No lo utilice en zonas húmedas, como cuartos de baño, cocinas en las que se forme vapor ni cerca de piscinas.
8. El aparato no debe exponerse a goteos o salpicaduras y asegúrese de que se colocan sobre o cerca del aparato objetos llenos de líquidos, como jarrones.
9. No use este dispositivo cuando se pueda producir condensación. Cuando la unidad se usa en una sala húmeda cálida, se pueden formar gotitas de agua o condensación en el interior de la unidad y esta puede no funcionar adecuadamente; deje que la unidad se apague durante 1 o 2 horas antes de volver a encender la unidad: el aparato debe estar seco antes de conectarse a una fuente de alimentación.
10. Aunque este dispositivo está fabricado con el máximo cuidado y comprobado varias veces antes de salir de fábrica, todavía es posible que se puedan producir problemas, al igual que con todos los aparatos eléctricos. Si observa la aparición de humo, una acumulación excesiva de calor o cualquier otro fenómeno inesperado, deberá desconectar inmediatamente el enchufe de la toma de corriente.
11. Este dispositivo debe funcionar con una fuente de alimentación que se especifica en la etiqueta de especificaciones. Si no está seguro del tipo de alimentación que se usa en su hogar, consulte con el distribuidor o una compañía eléctrica local.
12. Manténgalo alejado de los animales. A algunos animales les encanta morder los cables de alimentación.
13. Para limpiar el dispositivo use un paño seco y suave. No utilice líquidos disolventes ni con base de petróleo. Para eliminar manchas difíciles, puede usar un paño húmedo con detergente diluido.
14. El proveedor no asume ninguna responsabilidad por daños o datos perdidos provocados por un funcionamiento incorrecto, uso incorrecto, modificación del dispositivo o sustitución de la batería.
15. No interrumpa la conexión cuando el dispositivo esté formateando o transfiriendo archivos. En caso contrario, los datos se pueden estropear o perder.
16. Si la unidad dispone de función de reproducción USB, se debe conectar la memoria USB directamente en la unidad. No utilice un cable de extensión USB ya que pueden crear interferencias que causen una pérdida de datos.
17. La etiqueta calificativa se encuentra en la parte inferior o en el panel posterior del aparato.
18. Este dispositivo no está diseñado para su uso por parte de personas (incluyendo niños) con discapacidad física, sensorial o mental o con falta de experiencia o conocimientos, salvo que se les haya dado supervisión o instrucciones acerca del uso correcto del dispositivo por parte de una persona responsable de su seguridad.
19. Este producto está diseñado para un uso no profesional únicamente y no para un uso comercial o industrial.
20. Asegúrese de que la unidad esté fijada en una posición estable. La garantía no cubrirá los daños derivados de usar este producto en una posición inestable, vibraciones o golpes o por no seguir otras advertencias o precauciones que aparecen en este manual de usuario.
21. Nunca retire la carcasa del dispositivo.
22. Nunca coloque este dispositivo sobre otro equipo eléctrico.
23. Mantenga las bolsas de plástico fuera del alcance de los niños.
24. Use únicamente los dispositivos/accesorios especificados por el fabricante.

25. Remita todas las reparaciones al personal cualificado. Es necesario el mantenimiento cuando el aparato presenta cualquier tipo de daño, por ejemplo, el cable de alimentación o el enchufe presentan daños; se ha vertido líquido sobre el aparato; se han caído objetos en el aparato; el aparato se ha expuesto a la lluvia o humedad; el aparato no funciona normalmente o se ha caído.
26. Una larga exposición a sonidos elevados de reproductores de música personales puede provocar una pérdida de audición temporal o permanente.
27. Si el producto viene con un cable de alimentación o un adaptador de corriente de CA:
  - Si se produce cualquier problema, desconecte el cable de alimentación CA y remítalo a mantenimiento por parte de personal cualificado.
  - No pise o pince el adaptador de alimentación. Tenga mucho cuidado, en especial en las zonas alrededor de las tomas y el punto de salida del cable. No coloque objetos pesados en el adaptador de alimentación, ya que pueden dañarlo. ¡Mantenga el dispositivo fuera del alcance de los niños! Si juegan con el cable de alimentación, puede sufrir lesiones graves.
  - Desconecte el dispositivo durante tormentas eléctricas o cuando no vaya a usarse durante periodos prolongados de tiempo.
  - La salida de la toma debe instalarse cerca del equipo y debe ser fácilmente accesible.
  - No sobrecargue las tomas CA o los cables de extensión. La sobrecarga puede provocar un incendio o una descarga eléctrica.
  - Los dispositivos con construcción de Clase 1 deben estar conectados a una toma de corriente con una conexión a tierra protegida.
  - Los dispositivos con construcción de Clase 2 no requieren una conexión a tierra.
  - Sujete siempre el enchufe cuando los extraiga de la toma de corriente. No tire del cable de alimentación. Esto puede provocar un cortocircuito.
  - No utilice un cable de alimentación o enchufe deteriorado o una toma suelta. Si lo hace, podría provocar un incendio o una descarga eléctrica.
28. Si el producto contiene o se entrega con un mando a distancia que contiene pilas de botón / celdas:
 

Advertencia:

  - “Ni ingiera la pila, riesgo de quemadura química” o frase equivalente.
  - [El mando a distancia que se suministra] Este producto contiene una pila de tipo botón/moneda. Si la pila se traga, puede provocar graves quemaduras internas en sólo 2 horas y podría ocasionar la muerte.
  - Mantenga las pilas nuevas o usadas fuera del alcance de los niños.
  - Si el compartimiento de las pilas no se cierra correctamente, deje de usar el producto y no lo deje al alcance los niños.
  - Si tiene la sospecha de que una pila ha sido ingerida o se encuentra en algún lugar del cuerpo, busque inmediatamente atención médica.
29. Precaución sobre el uso de las pilas:
  - Existe riesgo de explosión si la pila no se sustituye correctamente. Sustitúyala únicamente con otra del mismo tipo u otro equivalente.
  - No se pueden exponer las pilas a temperaturas extremadamente altas o bajas, baja presión de aire a gran altitud durante el uso, almacenamiento o transporte.
  - Si cambia la pila por otra que no sea la correcta, se puede producir una explosión o la fuga de líquidos o gases inflamables.
  - Si arroja la pila al fuego o a un horno caliente, o aplasta o corta mecánicamente una pila, podría provocar una explosión.
  - Si deja una pila en un lugar con temperaturas extremadamente altas, se puede producir una explosión o una fuga de líquido o gas inflamable.
  - Si se expone la pila a una presión de aire extremadamente baja, se puede producir una explosión o la fuga de líquidos o gases inflamables.
  - Se debe prestar atención a los aspectos medioambientales sobre la eliminación de baterías.

## INSTALACIÓN

- Desembale todas las piezas y retire el material protector.
- No conecte la unidad a la corriente eléctrica antes de comprobar la tensión de la corriente y antes de que se hayan hecho todas las demás conexiones.

### Adaptador de alimentación

Fabricante: Dongguan Blue Iron Enterprise

Número de modelo: BI12T-120100-I

**Utilice únicamente el adaptador de CA original**

**Utilice únicamente la fuente de alimentación indicada en las instrucciones de uso**

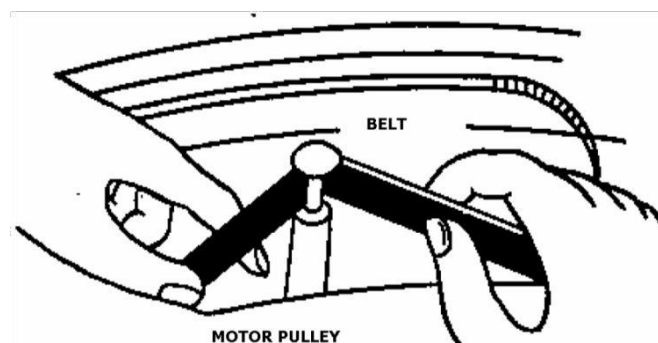
Información	Valor y precisión
Nombre de los fabricantes o marcas registradas, registro 36ctive36ial y dirección	- Dongguan Blue Iron Enterprise
Identificador del modelo	- BI12T-120100-I
Tensión de entrada	100-240V, 50/60H, 0.5A
Frecuencia CA de entrada	100-240V
Tensión de salida	3.0-24.0V
Corriente de salida	0.01-2.4A
Potencia de salida	12W
Eficiencia 36ctive media	84.1%
Eficiencia a carga baja (10%)	79.27%
Consumo energético sin carga	0.08W

### Montaje

#### Correa de transmisión:

La correa y el plato del tocadiscos han sido instalados correctamente en la fábrica de montaje, aunque la correa podría haberse soltado durante su transporte. Si ese fuera el caso, podrá seguir los siguientes procedimientos para que usted mismo pueda instalar la correa de transmisión.

1. Retire el tapete de goma del plato del tocadiscos y el anillo E del eje del tocadiscos, después libere el plato del tocadiscos del eje.
2. Pase la correa de transmisión por el borde interno del plato del tocadiscos y después tire de ella por el orificio.
3. Sostenga la correa con sus dedos y colóquela sobre la polea motora, tal y como se ve en la ilustración.



4. Sujete el anillo E en el eje y vuelva a colocar el tapete de goma sobre el plato del tocadiscos.

**Precaución:**

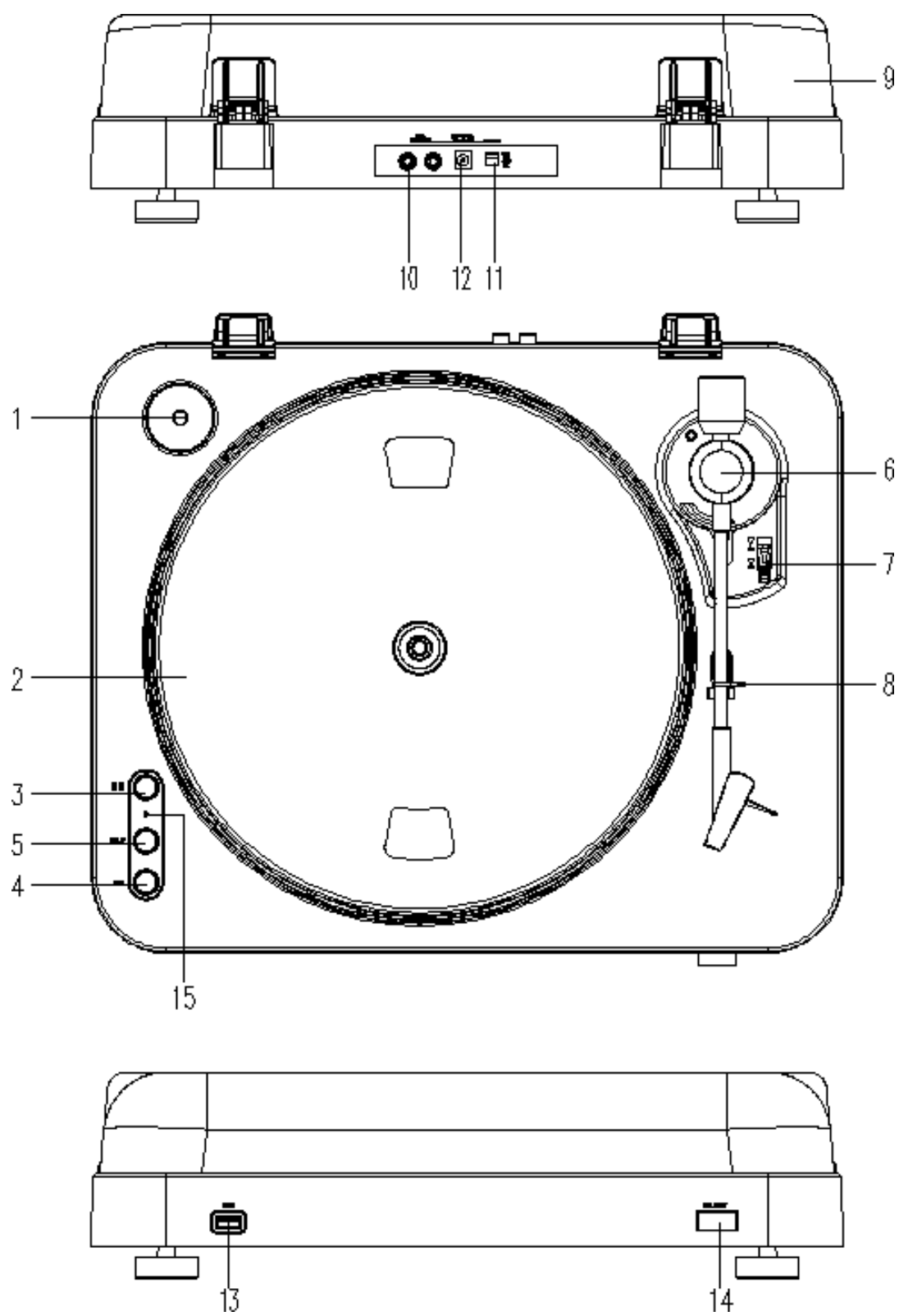
1. Asegúrese de que la correa de transmisión no está retorcida ni deformada.
2. Evite el uso de aceites. Las salpicaduras de aceite harán que la correa esté resbaladiza.

**Reinicio del retorno automático:**

Reinicie siempre el retorno automático cuando desplace este producto. El mecanismo de retorno automático girará de forma irregular al moverlo, provocando que la función de retorno automático falle. Los pasos siguientes le ayudarán a restablecer el funcionamiento del mecanismo.

1. Coloque un disco sobre el plato y reproduzca.
2. Levante el brazo del tocadiscos manualmente y colóquelo en la parte vacía del final del disco.
3. El mecanismo de retorno automático se ajustará correctamente y el brazo del tocadiscos regresará al reposo del brazo automáticamente.

## Descripción



- 1. Adaptador:**  
Use este adaptador cuando reproduzca discos a 45 RPM.
- 2. Plato:**  
Coloque aquí un disco para reproducirlo.
- 3. Interruptor de 33/45 RPM:**  
Seleccione 33 o 45 rpm para reproducir un disco a la velocidad correcta.
- 4. REC:**  
Púlselo para entrar en el modo de grabación.
- 5. SPLIT**  
Para detener la grabación en curso, formar un archivo de grabación manualmente y después pasar a la grabación de la pista siguiente.
- 6. Soporte del brazo del tocadiscos**
- 7. Palanca de alzamiento del brazo del tocadiscos:**  
Para alzar y bajar el brazo del tocadiscos y colocarlo en el lugar del disco elegido.
- 8. Cierre de bloqueo del brazo del tocadiscos:**  
Use este cierre para bloquear el brazo del tocadiscos en su reposo cuando no lo esté usando.
- 9. Tapa cubrepolvos:**  
Úsela para proteger el tocadiscos de la exposición al polvo. La tapa podrá estar abierta o ser desmontada durante su uso, pero deberá permanecer cerrada cuando el tocadiscos no se esté usando.
- 10. Cable de salida RCA**  
Conecte la salida RCA a un mezclador o amplificador de su sistema de sonido.
- 11. Interruptor de encendido:**  
Para encender o apagar el tocadiscos. Por favor, apague la unidad cuando haya finalizado la reproducción para ahorrar energía.
- 12. Conexión del adaptador eléctrico:**  
Conecte aquí la salida del adaptador de corriente.
- 13. Entrada del puerto USB:**  
Conecte una unidad de memoria USB para la grabación de música de un disco.  
\*El diseño es solo para unidades de memoria USB Flash. Para evitar que la alimentación sea insuficiente y los circuitos se calienten en exceso (IC), use la alimentación externa si recurre a un disco duro.
- 14. Reject**  
Púlselo para hacer que el brazo del tocadiscos regrese directamente a su reposo.
- 15. LED**
  - Uso de la grabación USB y señales de indicación LED
  - Dispositivo de almacenamiento USB no conectado. -> LED apagado
- 16.** Dispositivo de almacenamiento USB conectado -> LED parpadeando
- 17.** Cuando el sistema esté listo para grabar. -> LED encendido
- 18.** Pulse el botón REC para comenzar la grabación. -> LED parpadeando despacio.
- 19.** Pulse el botón SPLIT para crear un nuevo archivo en la grabación.
- 20.** Pulse de nuevo el botón REC para detener la grabación. -> LED parpadeando durante unos momentos, después pasará a estar encendido de forma continua.

Nota: No retire el dispositivo de almacenamiento USB si el LED está parpadeando.

## Conexión a la red de suministro

Asegúrese de que el voltaje de la red de suministro de su hogar corresponde con el voltaje operativo de la unidad. Su unidad estará lista para la conexión al voltaje correcto de su localidad.

## Conexión a un amplificador

Conecte el cable de salida RCA (10) a la entrada AUX de su amplificador:

- Clavija roja en la entrada de canal R.
- Clavija blanca en la entrada de canal L.
- Coloque el disco de su elección sobre el tocadiscos. Si se trata de uno de 45 rpm, no olvide colocar el adaptador (1) sobre el eje.
- Elija la velocidad de reproducción que corresponda:
  - o 33 rpm -> botón levantado
  - o 45 rpm-> botón pulsado.
- Libere la sujeción del brazo del tocadiscos.
- Coloque el cartucho verticalmente sobre la primera pista del disco, entonces el tocadiscos comenzará a girar.
- Cuando el disco haya finalizado, el brazo del tocadiscos regresará a su reposo y el tocadiscos dejará de girar.  
Tenga cuidado de que la palanca de alzado se encuentra en posición avanzada (bajada), eche el cierre del brazo de l tocadiscos para asegurarlo.

## Especificaciones técnicas

Alimentación: AC100-240 60/50HZ

Consumo: 12W

Ululación y trémolo: 0,25%

Distorsión: 3%~4%

S/N: 50 dB

Voltaje de salida de audio: 500mV  $\pm$ 200mV

## \*RECOMENDACIONES IMPORTANTES

Le aconsejamos limpiar sus discos con un paño impregnado en un producto antiestático para disfrutar al máximo de su música y hacer que los discos duren más tiempo.

Asimismo nos gustaría apuntar que por los mismos motivos la aguja debe sustituirse periódicamente (aproximadamente cada 250 horas).

Quite el polvo a la aguja cada cierto tiempo usando un cepillo muy suave impregnado de alcohol (cepillando de atrás hacia delante del cartucho).



## 1. Garantía

Lenco ofrece servicio y garantía en cumplimiento con las leyes de la Unión Europea, lo cual implica que, en caso de que su producto precise ser reparado (tanto durante como después del periodo de garantía), deberá contactar directamente con su distribuidor.

Nota importante: No es posible enviar sus reparaciones directamente a Lenco.

Nota importante: Si la unidad es abierta por un centro de servicio no oficial, la garantía quedará anulada.

Este aparato no es adecuado para el uso profesional. En caso de darle un uso profesional, todas las obligaciones de garantía del fabricante quedarán anuladas.

## 2. Exención de responsabilidad

Regularmente se llevan a cabo actualizaciones en el Firmware y en los componentes del hardware. Por esta razón, algunas de las instrucciones, especificaciones e imágenes incluidas en este documento pueden diferir ligeramente respecto a su situación particular. Todos los elementos descritos en esta guía tienen un objetivo de mera ilustración, y pueden no ser de aplicación en su situación particular. No se puede obtener ningún derecho ni derecho legal a partir de la descripción hecha en este manual.

## 3. Eliminación del antiguo dispositivo



Este símbolo indica que no deberá deshacerse del producto eléctrico o batería en cuestión junto con los residuos domésticos, en el ámbito de la UE. Para garantizar un tratamiento residual correcto del producto y su batería, por favor, elimínelos cumpliendo con las leyes locales aplicables sobre requisitos para el desechado de equipos eléctricos y baterías. De hacerlo, ayudará a conservar recursos naturales y mejorar los estándares de protección medioambiental en el tratamiento y eliminación de residuos eléctricos (Directiva sobre la Eliminación de Equipos Eléctricos y Electrónicos).

## 4. Marca CE

Por la presente, Lenco Benelux B.V., Thermiekstraat 1a, 6361 HB Nuth, Países Bajos, declara que este producto cumple con las exigencias esenciales de la directiva de la UE. La declaración de conformidad puede consultarse mediante [techdoc@commaxxgroup.com](mailto:techdoc@commaxxgroup.com)



## 5. Service (Servicio)

Para obtener más información y soporte del departamento técnico, por favor, visite la página web [www.lenco.com](http://www.lenco.com)  
Lenco Benelux BV, Thermiekstraat 1a, 6361 HB, Países Bajos.

**ATTENZIONE:**

L'utilizzo di controlli o regolazioni o l'esecuzione di procedure diverse da quelle specificate può causare l'esposizione a radiazioni pericolose.

**PRECAUZIONI PRIMA DELL'USO**

**CONSERVARE QUESTE ISTRUZIONI:**

1. Non coprire o bloccare le aperture di ventilazione. Quando si posiziona il dispositivo su uno scaffale, lasciare uno spazio libero di 5 cm (2") attorno all'intero perimetro.
2. Installare secondo quanto riportato nel manuale fornito.
3. Tenere il dispositivo lontano da sorgenti termiche come radiatori, termosifoni, stufe, candele e altri prodotti che generano calore o fiamme libere. Il dispositivo può essere utilizzato solo in climi moderati. Evitare ambienti estremamente freddi o caldi. Temperatura operativa compresa tra 0° e 35°C.
4. Evitare l'uso del dispositivo in presenza di forti campi magnetici.
5. Le scariche elettrostatiche possono interferire con il normale utilizzo di questo dispositivo. In tal caso, è sufficiente ripristinare e riavviare il dispositivo seguendo il manuale di istruzioni. Durante la trasmissione di file, maneggiarlo con cura e operare in un ambiente privo di elettricità statica.
6. Avviso! Non inserire mai oggetti nel prodotto attraverso le prese d'aria o le aperture. All'interno del prodotto sono presenti tensioni elevate e l'inserimento di un oggetto può provocare scariche elettriche e/o cortocircuiti. Per lo stesso motivo, non versare acqua o liquidi sul prodotto.
7. Non utilizzare in aree umide o bagnate come bagni, cucine con vapore o piscine.
8. Non esporre il dispositivo a schizzi o gocciolamenti di liquidi; non poggiare sopra o accanto al dispositivo oggetti contenenti liquidi, ad esempio vasi.
9. Non utilizzare questo dispositivo in caso di condensa. Quando l'unità viene utilizzata in una stanza calda e umida, all'interno dell'unità possono formarsi goccioline d'acqua o condensa e l'unità potrebbe non funzionare correttamente; lasciare l'unità spenta per 1 o 2 ore prima di accenderla: l'unità deve essere asciutta prima di essere alimentata.
10. Sebbene questo dispositivo sia fabbricato con la massima cura e controllato più volte prima di lasciare la fabbrica, è comunque possibile che si verifichino problemi come per qualsiasi altra apparecchiatura elettrica. Se si nota fumo, eccessivo accumulo di calore o altri fenomeni imprevedibili, scollegare immediatamente la spina dalla presa di alimentazione principale.
11. Questo dispositivo deve funzionare con una fonte di alimentazione con i valori indicati sull'etichetta delle specifiche. Se non si è sicuri del tipo di alimentazione utilizzata in casa, consultare il rivenditore o la compagnia elettrica locale.
12. Tenere fuori dalla portata degli animali domestici, Ad alcuni animali piace mordere i cavi di alimentazione.
13. Per pulire il dispositivo, utilizzare un panno morbido e asciutto. Non usare solventi o liquidi a base di benzina. Per rimuovere le macchie persistenti, è possibile utilizzare un panno umido con detergente diluito.
14. Il fornitore non è responsabile per danni o perdita di dati causati da malfunzionamento, uso improprio, modifica del dispositivo o sostituzione della batteria.
15. Non interrompere la connessione quando il dispositivo sta formattando o trasferendo file. In caso contrario, i dati potrebbero essere danneggiati o andare persi.
16. Se l'unità dispone della funzione di riproduzione USB, la chiavetta USB deve essere collegata direttamente all'unità. Non utilizzare una prolunga USB perché può causare interferenze con conseguenti anomalie dati.
17. L'etichetta di classificazione è stata contrassegnata sul pannello inferiore o posteriore del dispositivo.
18. Questo dispositivo non è destinato all'uso da parte di persone (compresi i bambini) con disabilità fisiche, sensoriali o mentali, o mancanti di esperienza e conoscenza, a meno che non siano sotto supervisione o abbiano ricevuto istruzioni circa l'uso corretto del dispositivo da parte di chi è responsabile per la loro sicurezza.
19. Questo prodotto è destinato esclusivamente all'uso non professionale e non commerciale o industriale.
20. Assicurarsi che l'unità sia collocata in una posizione stabile. I danni causati dall'uso di questo prodotto in una posizione instabile, vibrazioni o urti o la mancata osservanza di qualsiasi altro avvertimento o precauzione indicati in questo manuale utente non saranno coperti da garanzia.
21. Non rimuovere mai la carcassa di questo dispositivo.
22. Non posizionare mai questo dispositivo su altre apparecchiature elettriche.
23. Non permettere ai bambini di accedere ai sacchetti di plastica.
24. Utilizzare solo collegamenti/accessori specificati dal produttore.
25. Rivolgersi a personale qualificato per l'assistenza. L'assistenza è necessaria quando il dispositivo è stato in qualche modo danneggiato, come il cavo di alimentazione o la spina, quando è stato versato del liquido o

sono caduti oggetti nel dispositivo, quando il dispositivo è stato esposto a pioggia o umidità, non funziona normalmente o è stato abbandonato.

26. L'esposizione prolungata ai suoni ad alto volume dei lettori musicali può causare una perdita temporanea o permanente dell'udito.
27. Se il prodotto viene consegnato con cavo di alimentazione o adattatore di alimentazione CA:
  - In caso di problemi, scollegare il cavo di alimentazione CA e rivolgersi a personale qualificato per l'assistenza.
  - Non calpestare o schiacciare l'alimentatore. Fare molta attenzione, in particolare vicino alle prese e al punto di uscita del cavo. Non posizionare oggetti pesanti sull'alimentatore in quanto potrebbero danneggiarlo. Tenere il dispositivo fuori dalla portata dei bambini. Giocando con il cavo di alimentazione possono infortunarsi seriamente.
  - Scollegare il dispositivo durante i temporali o quando non viene utilizzato per un lungo periodo.
  - La presa di corrente deve essere installata vicino all'apparecchio e deve essere facilmente accessibile.
  - Non sovraccaricare le prese CA né le prolunghie. Il sovraccarico può causare incendi o scariche elettriche.
  - I dispositivi con struttura di classe 1 devono essere collegati a una presa di rete con connessione di messa a terra di protezione.
  - I dispositivi con struttura di classe 2 non richiedono un collegamento a terra.
  - Tenere sempre la spina quando la si estrae dalla presa di rete. Non tirare il cavo di alimentazione. Ciò può causare un cortocircuito.
  - Non utilizzare un cavo o una presa di alimentazione danneggiati o una presa non fissata. Tale azione potrebbe provocare incendi o scariche elettriche.
28. Se il prodotto contiene o viene consegnato con un telecomando contenente batterie a pulsante/a bottone:  
Avvertenza:
  - "Non ingerire la batteria, pericolo di ustioni chimiche" o funzionamento equivalente.
  - (Il telecomando in dotazione con) Il presente prodotto contiene una pila a bottone. Se ingerita, la batteria può causare gravi ustioni interne in sole 2 ore e portare alla morte.
  - Tenere le batterie, nuove o usate, fuori dalla portata dei bambini.
  - Se il vano batteria non si chiude completamente, interrompere l'uso del dispositivo e tenerlo fuori della portata dei bambini.
  - Se si teme che delle batterie possano essere state inghiottite o essere venute a contatto con qualsiasi parte interna del corpo, contattare immediatamente un medico.
29. Precauzioni sull'uso delle batterie:
  - Pericolo di esplosione se la batteria viene sostituita in modo errato. Sostituire solo con lo stesso tipo o equivalente.
  - Non sottoporre le batterie a temperature estreme alte o basse, bassa pressione dell'aria ad alta quota durante l'uso, lo stoccaggio o il trasporto.
  - La sostituzione con una batteria di tipo errato può provocare un'esplosione o la perdita di liquidi o gas infiammabili.
  - Lo smaltimento di una batteria nel fuoco o in un forno caldo o lo schiacciamento o il taglio meccanico di una batteria possono provocare un'esplosione.
  - Lasciare una batteria in un ambiente circostante a temperatura estremamente elevata può provocare un'esplosione o una perdita di liquidi o gas infiammabili.
  - Una batteria soggetta a una pressione dell'aria estremamente bassa può provocare un'esplosione o una perdita di liquidi o gas infiammabili.
  - È necessario prestare attenzione agli aspetti ambientali legati allo smaltimento delle batterie.

#### **INSTALLAZIONE**

- Disimballare tutte le parti e rimuovere il materiale protettivo.
- Non collegare l'unità alla rete elettrica prima di avere controllato la tensione di rete e prima che siano stati effettuati tutti gli altri collegamenti.

## Alimentatore

Produttore: Dongguan Blue Iron Enterprise

Numero di modello: BI12T-120100-I

**Utilizzare solo adattatore CA originale**

**Utilizzare solo l'alimentazione indicata nel presente manuale.**

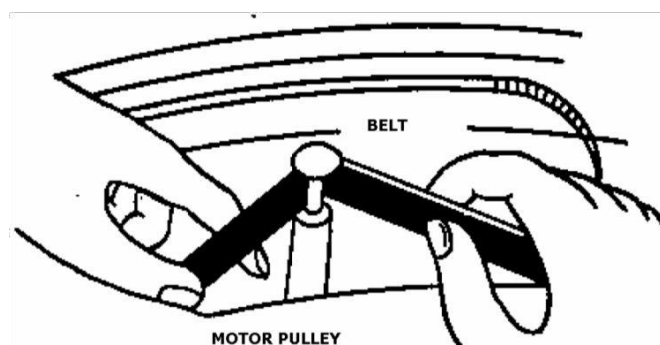
Informazioni	Valore e precisione
Nome del produttore o marchio commerciale, registrazione commerciale e indirizzo	- Dongguan Blue Iron Enterprise
Identificatore del modello	- BI12T-120100-I
Tensione in ingresso	100-240V, 50/60H, 0,5A
Frequenza in ingresso CA	100-240V
Tensione in uscita	3,0-24,0V
Corrente in uscita	0,01-2,4A
Potenza in uscita	12 W
Efficienza media attiva	84,1%
Efficienza a basso carico (10%)	79,27%
Nessun carico Consumo energetico	0,08W

## Montaggio

### Trasmissione a cinghia:

La cinghia e il piatto del giradischi sono stati installati correttamente in fabbrica, ma la cinghia potrebbe essere allentata durante il trasporto. In tal caso, per l'installazione della cinghia verranno adottate le seguenti procedure.

- Rimuovere il tappetino di gomma dal piatto del giradischi e l'anello E dall'albero del giradischi, quindi rilasciare il piatto del giradischi dall'albero
- Mettere la cinghia di trasmissione sul bordo interno del piatto del giradischi e tirarla attraverso il foro
- Tenere la cinghia con le dita e posizionare la cinghia sulla puleggia del motore come mostrato nel disegno.



- Agganciare l'anello E sull'albero e posizionare il tappetino di gomma sul piatto del giradischi.

EN	IT
BELT	CINGHIA
MOTOR PULLEY	Puleggia Del Motore

**Attenzione:**

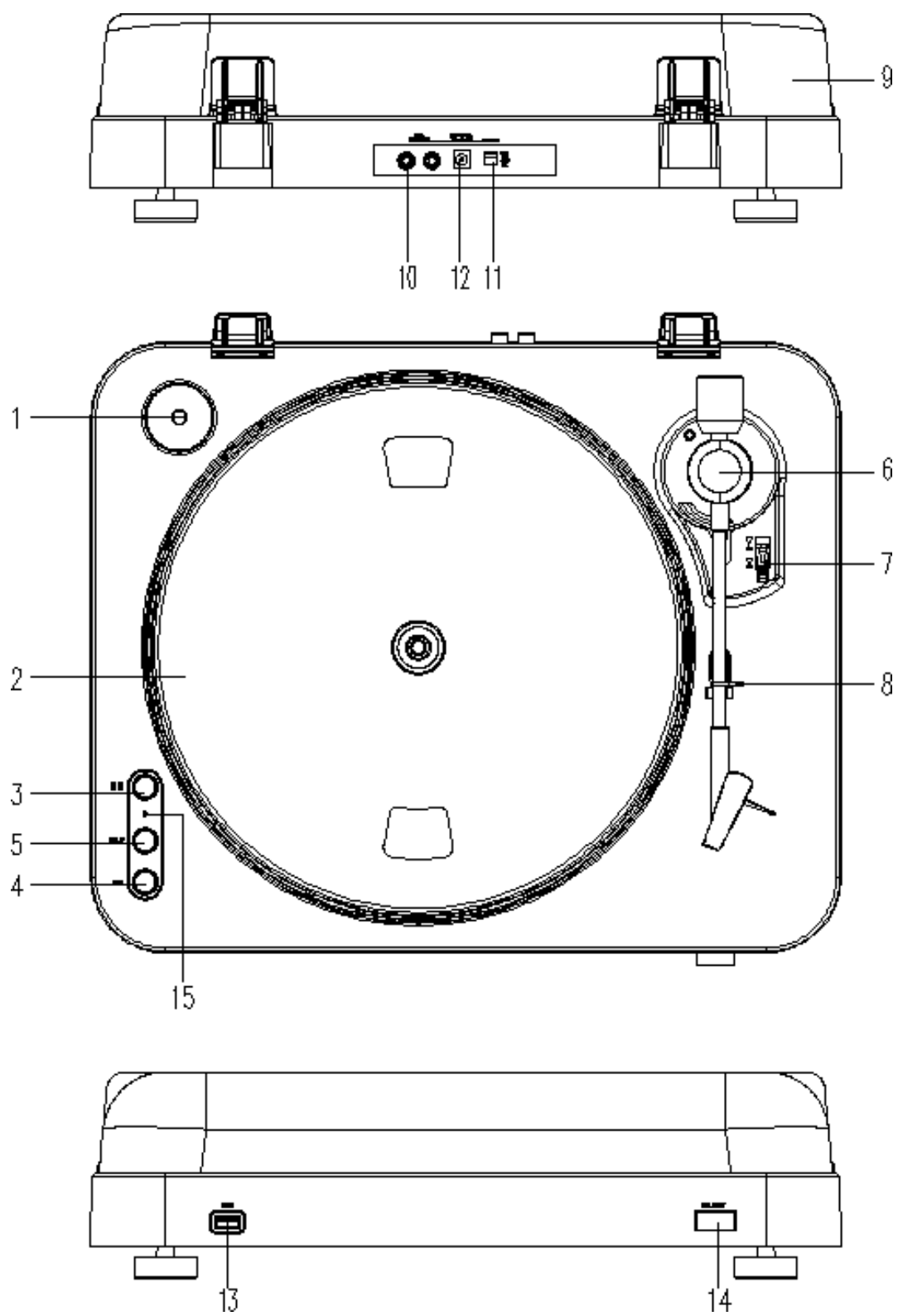
1. Assicurarsi che la cinghia di trasmissione non sia attorcigliata o deformata.
2. Evitare l'olio. Gli schizzi d'olio renderanno la cinghia scivolosa.

**Ripristino ritorno automatico:**

Effettuare sempre il ripristino per il ritorno automatico una volta spostato questo prodotto. Il meccanismo di ritorno automatico ruoterà in modo irregolare durante lo spostamento e causerà il malfunzionamento del ritorno automatico. I seguenti passaggi ripristineranno il meccanismo alla normalità.

4. Porre un disco sul piatto e riprodurlo.
5. Fare leva manualmente sul braccio e posizionalo sulla parte vuota della fine del disco.
6. Il meccanismo della funzione di ritorno automatico verrà regolato correttamente e il braccio tornerà automaticamente al supporto del braccio.

## Descrizione



- 1. Adattatore:**  
Utilizzare questo adattatore quando si riproducono dischi 45 giri.
- 2. Piatto:**  
Porre qui un disco da riprodurre.
- 3. Selettore 33/45 giri:**  
Selezionare 33 o 45 giri per riprodurre un disco alla velocità corretta.
- 4. REC:**  
Premerlo per accedere alla modalità di registrazione.
- 5. DIVISORE**  
Per interrompere la registrazione corrente, formare manualmente un file di registrazione e quindi continuare a registrare la traccia successiva.
- 6. Supporto braccio di pick-up**
- 7. Stick sollevamento braccio di pick-up:**  
Per alzare e abbassare il braccio del pick-up e puntare in un punto appropriato di un vinile.
- 8. Blocco braccio di pick-up:**  
Utilizzare per bloccare il braccio in posizione quando il giradischi non viene utilizzato.
- 9. Copertura antipolvere:**  
Usarla per proteggere il giradischi dall'esposizione alla polvere. La copertura può essere aperta o rimossa durante l'uso, ma deve restare chiusa quando il giradischi non è in uso.
- 10. Cavi uscita linea RCA**  
Collegare l'uscita della linea RCA a un mixer o un amplificatore nel proprio impianto audio.
- 11. Interruttore:**  
accendere e spegnere con questo interruttore. Spegnere l'unità dopo aver terminato la riproduzione per risparmiare energia.
- 12. Connessione alimentatore**  
Collegare qui l'alimentatore CA.
- 13. Ingresso porta USB:**  
Collegare una chiavetta USB per registrare la musica da un disco.  
\*Il design è solo per chiavetta USB. Per evitare che l'alimentazione non sia sufficiente e si surriscaldi il circuito (IC), procurarsi sempre l'alimentatore esterno se si utilizza un disco rigido.
- 14. Reject**  
Premerlo per forzare il braccio a tornare direttamente al supporto del braccio
- 15. LED**
  - Operazione registrazione USB e indicazione segnale LED
  - Il dispositivo di archiviazione USB non è collegato. -> Spia LED spenta
- 16.** Dispositivo di archiviazione USB è collegato -> Il LED lampeggia
- 17.** Quando il sistema è pronto per registrare. -> Spia LED accesa
- 18.** Premere il pulsante REC per avviare la registrazione. -> Il LED lampeggia lentamente.
- 19.** Premere il pulsante DIVIDI per creare un nuovo file nella registrazione.
- 20.** Premere nuovamente il pulsante REC per arrestare la registrazione. -> La spia LED lampeggia brevemente per poi restare accesa.

Nota: non rimuovere il dispositivo di archiviazione USB se il LED sta lampeggiando.

### **Collegamento alla rete**

Assicurarsi che la tensione di rete della casa corrisponda alla tensione di esercizio dell'unità. La propria unità è pronta per essere collegata alla tensione corretta della propria località.

## Connessione amplificatore

Collegare il cavo di uscita della linea RCA (10) all'ingresso AUX dell'amplificatore:

- Collegare rosso all'ingresso del canale R.
- Collegare bianco all'ingresso del canale L.
- Posizionare il disco di propria scelta sul giradischi. Se si tratta di un 45 giri, non dimenticare di posizionare l'adattatore (1) sul mandrino del disco.
- Scegliere la velocità di riproduzione desiderata:
  - 33 rpm -> pulsante sbloccato
  - 45 rpm-> pulsante bloccato.
- Rilasciare la clip del braccio di pick-up.
- Posizionare la cartuccia verticalmente sulla prima traccia del disco, il giradischi inizia a girare.
- Al termine della registrazione, il braccio torna sul suo supporto e il piatto del giradischi smette di girare. Assicurarsi che la leva di sollevamento del braccio sia rivolta in avanti (in basso), quindi fissare il braccio in posizione chiudendo il blocco.

## Specifiche Tecniche

Alimentazione: 100-240 CA 60/50

HZ Potenza assorbita: 12 W

Wow & Flutter: 0,25%

Distorsione: 3%~4%

Rapporto

segnale/rumore: 50

dB

Tensione in uscita audio: 500mV  $\pm$ 200mV

## \*RACCOMANDAZIONI IMPORTANTI

Ti consigliamo di pulire i tuoi dischi usando uno straccio impregnato con un prodotto antistatico per il massimo godimento dei tuoi dischi e anche per farli durare.

Segnaliamo inoltre che, per lo stesso motivo, la puntina dovrebbe essere sostituita periodicamente (circa ogni 250 ore)

Spolverare la puntina di tanto in tanto utilizzando una spazzola molto morbida imbevuta di alcool (spazzolando dal retro verso il davanti della testina).



## 1. Garanzia

Lenco offre assistenza e garanzia in conformità con la legge europea, il che significa che in caso di riparazioni (sia durante che dopo il periodo di garanzia) è necessario contattare il rivenditore locale.

Nota importante: Non è possibile inviare direttamente a Lenco i prodotti da riparare.

Nota importante: Qualora l'unità venga aperta o manomessa in qualsiasi modo da un centro di assistenza non riconosciuto, la garanzia decade.

Questo dispositivo non è adatto per l'uso professionale. Qualora l'unità venga utilizzata per scopi professionali, tutti gli obblighi del produttore derivanti dalla garanzia sono nulli.

## 2. Clausola di esclusione della responsabilità

Il firmware e/o i componenti hardware vengono aggiornati regolarmente. Pertanto, è possibile che alcune parti relative a istruzioni, specifiche e immagini contenute nella presente documentazione siano diverse da quanto riscontrato nel singolo caso. Tutte le descrizioni incluse in questa guida sono fornite a puro titolo illustrativo e non si applicano necessariamente alla specifica situazione. Nessun diritto legale o contrattuale può derivare dalle descrizioni contenute nel presente libretto di istruzioni.

## 3. Smaltimento a fine vita del dispositivo



Questo simbolo indica che in Europa è vietato gettare il relativo prodotto elettrico o batteria tra i rifiuti domestici. Per il corretto smaltimento a fine vita del prodotto e della batteria, attenersi alle vigenti normative locali per il trattamento dei rifiuti da apparecchiature elettriche ed elettroniche e delle batterie. In tal modo si contribuisce a salvaguardare le risorse naturali e a migliorare gli standard per la protezione dell'ambiente nel trattamento dei rifiuti da apparecchiature elettriche ed elettroniche (Direttiva RAEE).

## 4. Marchio CE

Con la presente, Lenco Benelux B.V., Thermiekstraat 1a, 6361 HB Nuth, Paesi Bassi, dichiara che questo prodotto è conforme ai requisiti essenziali della Direttiva europea.

La dichiarazione di conformità può essere richiesta inviando un'e-mail a [techdoc@commaxxgroup.com](mailto:techdoc@commaxxgroup.com)



## 5. Assistenza

Per ulteriori informazioni e accesso all'helpdesk, visitare il sito [www.lenco.com](http://www.lenco.com)

Lenco Benelux BV, Thermiekstraat 1a, 6361 HB, Paesi Bassi