

Classic Phono by **Lenco**

Model TT-34



User Manual Wooden Turntable with USB Connection

Gebruikershandleiding Houten Platenspeler Met USB-aansluiting

Benutzerhandbuch Holzplattenspieler mit USB- Anschluss

Mode d'emploi Tourne-disque en bois avec port USB

Manual de usuario Tocadiscos de madera con conexión USB

Index

English.....	3
Nederlands	14
Deutsch.	29
Français.....	42
Español.....	53
Italiano.....	65

CAUTION:

Usage of controls or adjustments or performance of procedures other than those specified herein may result in hazardous radiation exposure.

PRECAUTIONS BEFORE USE

KEEP THESE INSTRUCTIONS IN MIND:

1. Do not cover or block any ventilation openings. When placing the device on a shelf, leave 5 cm (2") free space around the whole device.
2. Install in accordance with the supplied user manual.
3. Keep the device away from heat sources such as radiators, heaters, stoves, candles and other heat-generating products or naked flame. The device can only be used in moderate climates. Extremely cold or warm environments should be avoided. Working temperature between 0° and 35°C.
4. Avoid using the device near strong magnetic fields.
5. Electrostatic discharge can disturb normal usage of this device. If so, simply reset and restart the device following the instruction manual. During file transmission, please handle with care and operate in a static-free environment.
6. Warning! Never insert an object into the product through the vents or openings. High voltage flows through the product and inserting an object can cause electric shock and/or short circuit internal parts. For the same reason, do not spill water or liquid on the product.
7. Do not use in wet or moist areas such as bathrooms, steamy kitchens or near swimming pools.
8. The device shall not be exposed to dripping or splashing and make sure that no objects filled with liquids, such as vases, are placed on or near the apparatus.
9. Do not use this device when condensation may occur. When the unit is used in a warm wet room with damp, water droplets or condensation may occur inside the unit and the unit may not function properly; let the unit stand in power OFF for 1 or 2 hours before turning on the power: the unit should be dry before getting any power.
10. Although this device is manufactured with the utmost care and checked several times before leaving the factory, it is still possible that problems may occur, as with all electrical appliances. If you notice smoke, an excessive build-up of heat or any other unexpected phenomena, you should disconnect the plug from the main power socket immediately.
11. This device must operate on a power source as specified on the specification label. If you are not sure of the type of power supply used in your home, consult your dealer or local power company.
12. Keep away from animals. Some animals enjoy biting on power cords.
13. To clean the device, use a soft dry cloth. Do not use solvents or petrol based fluids. To remove severe stains, you may use a damp cloth with dilute detergent.
14. The supplier is not responsible for damage or lost data caused by malfunction, misuse, modification of the device or battery replacement.
15. Do not interrupt the connection when the device is formatting or transferring files. Otherwise, data may be corrupted or lost.
16. If the unit has USB playback function, the USB memory stick should be plugged into the unit directly. Don't use an USB extension cable because it can cause interference resulting in failing of data.
17. The rating label has been marked on the bottom or back panel of the device.

18. This device is not intended for use by people (including children) with physical, sensory or mental disabilities, or a lack of experience and knowledge, unless they're under supervision or have received instructions about the correct use of the device by the person who is responsible for their safety.
19. This product is intended for non professional use only and not for commercial or industrial use.
20. Make sure the unit is adjusted to a stable position. Damage caused by using this product in an unstable position vibrations or shocks or by failure to follow any other warning or precaution contained within this user manual will not be covered by warranty.
21. Never remove the casing of this device.
22. Never place this device on other electrical equipment.
23. Do not allow children access to plastic bags.
24. Only use attachments/accessories specified by the manufacturer.
25. Refer all servicing to qualified service personnel. Servicing is required when the device has been damaged in any way, such as the power supply cord or the plug, when liquid has been spilled or objects have fallen into the device, when the device has been exposed to rain or moisture, does not operate normally, or has been dropped.
26. Long exposure to loud sounds from personal music players may lead to temporary or permanent hearing loss.
27. If the product is delivered with power cable or AC power adaptor:
 - If any trouble occur, disconnect the AC power cord and refer servicing to qualified personnel.
 - Don't step on or pinch the power adaptor. Be very careful, particularly near the plugs and the cable's exit point. Do not place heavy items on the power adaptor, which may damage it. Keep the entire device out of children's reach! When playing with the power cable, they can seriously injure themselves.
 - Unplug this device during lightning storms or when unused for a long period.
 - The socket outlet must be installed near the equipment and must be easily accessible.
 - Do not overload ac outlets or extension cords. Overloading can cause fire or electric shock.
 - Devices with class 1 construction should be connected to a main socket outlet with a protective earthed connection.
 - Devices with class 2 construction do not require a earthed connection.
 - Always hold the plug when pulling it out of the main supply socket. Do not pull the power cord. This can cause a short circuit.
 - Do not use a damaged power cord or plug or a loose outlet. Doing so may result in fire or electric shock.
28. If the product contains or is delivered with a remote control containing coin/cell batteries:
Warning:
 - "Do not ingest battery, Chemical Burn Hazard" or equivalent working.
 - [The remote control supplied with] This product contains a coin/button cell battery. If the battery is swallowed, it can cause severe internal burns in just 2 hours and can lead to death.
 - Keep new and used batteries away from children.
 - If the battery compartment does not close securely, stop using the product and keep it away from children.
 - If you think batteries might have been swallowed or placed inside any part of the body, seek immediate medical attention.
29. Caution about the use of Batteries:

- Danger of explosion if battery is incorrectly replaced. Replace only with the same or equivalent type.
- Battery cannot be subjected to high or low extreme temperatures, low air pressure at high altitude during use, storage or transportation.
- Replacement of a battery with an incorrect type that can result in an explosion or the leakage of flammable liquid or gas.
- Disposal of a battery into fire or a hot oven, or mechanically crushing or cutting of a battery, that can result in an explosion.
- Leaving a battery in an extremely high temperature surrounding environment that can result in an explosion or that leakage of flammable liquid or gas.
- A battery subjected to extremely low air pressure that may result in an explosion or the leakage of flammable liquid or gas.
- Attention should be drawn to the environmental aspects of battery disposal.

INSTALLATION

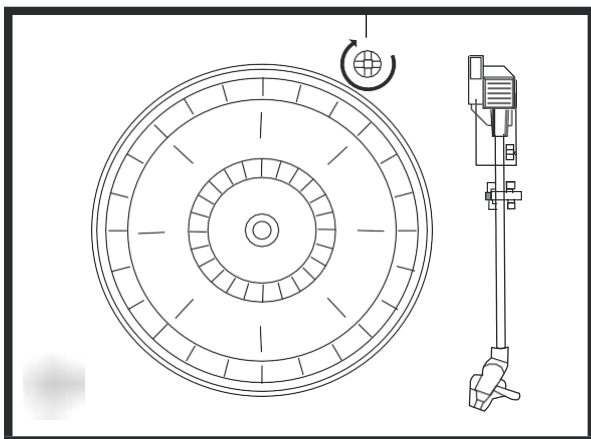
- Unpack all parts and remove protective material.
- Do not connect the unit to the mains before checking the mains voltage and before all other connections have been made.

PREPARATION FOR USE

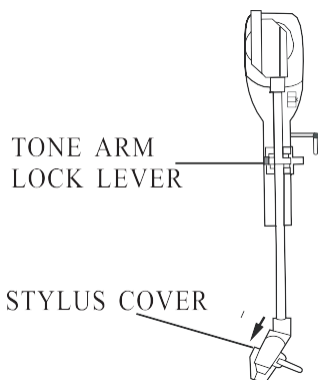
UNPACKING AND SET UP

- Carefully remove the unit from the display carton and remove all packing material from the unit.
- Unwind the AC power plug and extend it to its full length.
- Place the unit on a stable, level surface, convenient to an AC outlet, out of direct sunlight, and away from source of excess heat, dust, moisture, humidity or strong magnetic field.
- Connect the plug to your AC outlet.
- Raise the lid to expose the phonograph. The phonograph has been secured for shipment with a transit screw.
- Use a coin or screwdriver to turn the transit screw clockwise. This will allow the turntable to “float”.

TRANSIT SCREW



- Remove the opaque white plastic stylus cover from the phonograph stylus by sliding it in the direction of the arrow.
- Discard the stylus cover.
- Remove the twist-tie that was used to secure the tone arm during shipment.
 - Release the tone arm lock lever.
 - Connect the plug to your AC outlet.



POWER SOURCE

- This system uses an AC adaptor.
- You should have your outlet changed by a qualified licensed electrician.
- In order to make operation run correctly, the power plug and power jack should be a suitable match.

IMPORTANT: Raising and Lowering the Lid

To open the lid, raise it as far as it will go until the lid support bracket “locks” in the open position.

To close the lid, lift it upward slightly until the lid support bracket “unlocks”, and then gently lower the lid.

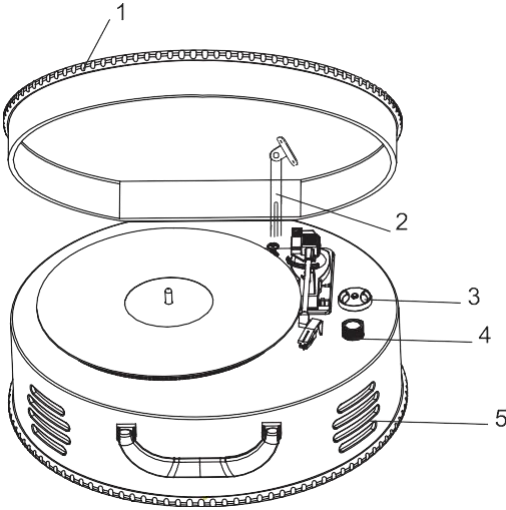
TO AVOID DAMAGING THE CABINET OR THE LID, NEVER FORCE THE LID

PROTECT YOUR FURNITURE

This model is equipped with non-skid rubber “feet” to prevent the product from moving when you operate the controls. These “feet” are made from non-migrating rubber material specially formulated to avoid leaving any marks or stains on your furniture. However certain types of oil based furniture polishes, wood preservatives, or cleaning sprays may cause the rubber “feet” to soften, and leave marks or a rubber residue on the furniture. To prevent any damage to your furniture we strongly recommend that you purchase small self-adhesive felt pads, available at hardware stores and home improvement centers and apply these pads to the bottom of the rubber “feet” before you place the product on fine wooden furniture.

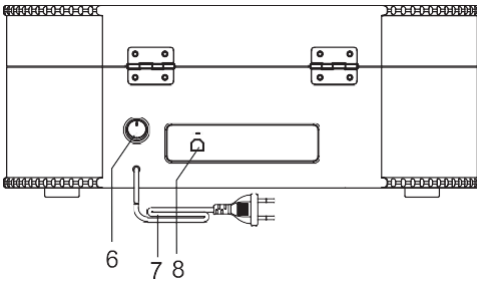
LOCATION OF CONTROLS AND INDICATORS

FRONT PANEL



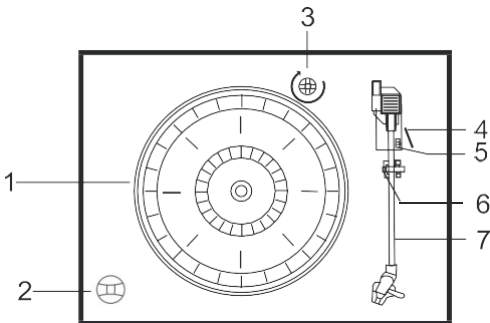
- 1) PHONOGRAPH LID
- 2) PHONOGRAPH LID SUPPORT BRACKET
- 3) 45RPM ADAPTOR
- 4) VOLUME CONTROL
- 5) SPEAKERS

BACK PANEL



- 6) POWER ON/OFF BUTTON
- 7) AC POWER CORD
- 8) USB SOCKET

PHONOGRAPH



- 1) Turntable
- 2) 45RMP Adaptor
- 3) Transit Screw
- 4) Cue Lever
- 5) Speed Selector (33&45&78RPM)
- 6) Tone Arm Lock
- 7) Tone Arm with Stylus

PLAYING RECORDS

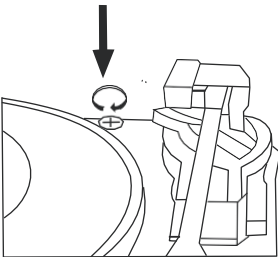
This system includes a full-size, 3-speed, belt-drive turntable. You can play 33, 45, and 78RPM records.

- 1) Press the POWER button to turn on the unit.
- 2) Make sure that you have removed the stylus cover from the stylus and have released the Tone Arm Lock that secured the tone arm to the tone arm rest.
- 3) Set the turntable Speed Selector to the appropriate speed, 33, 45, or 78RPM. If you are playing 45RPM singles, place the 45RPM adapter on the center spindle.
- 4) Place your record on the center spindle.
- 5) Raise the CUE lever to lift the tone arm off its rest. Move the tone arm to the edge of the record. The turntable starts automatically. Use the CUE lever to gently lower the tone arm onto the record.
- 6) When the tone arm reaches the end of the record it automatically returns to the tone arm rest and the record player stops.
- 7) To turn the system "Off", press and hold the POWER button 2 seconds.

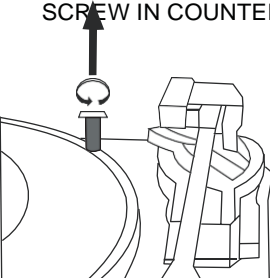
NOTE: Do not turn or stop the turntable manually, Moving or jarring the Turntable without securing the Tone Arm clamp could result in damage to the Tone Arm.

IMPORTANT

- TO PROTECT THE TURNTABLE FROM DAMAGE DURING TRANSPORTATION, A SILVER TRANSIT SCREW IS LOCATED AT THE UPPER RIGHT OF THE TURNTABLE PLATFORM.
- BEFORE PLAYING, PLEASE USE A SCREWDRIVER TO TURN THE TRANSIT SCREW IN CLOCKWISE DIRECTION (SCREW GOING DOWN) COMPLETELY TO UNLOCK THE TURNTABLE



- TO LOCK THE TURNTABLE AGAIN FOR TRANSPORTATION, PLEASE TURN THE SCREW IN COUNTER-CLOCKWISE DIRECTION.



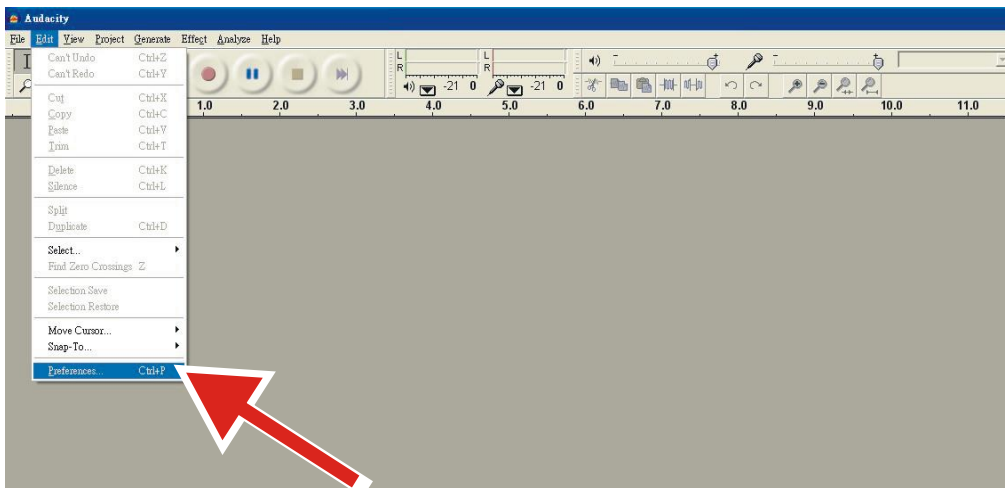
AUDACITY SOFTWARE OVERVIEW

Audacity is free software, licensed under the GNU General Public License (GPL). More information as well as open source code can be found on the web at <https://www.audacityteam.org/download/>

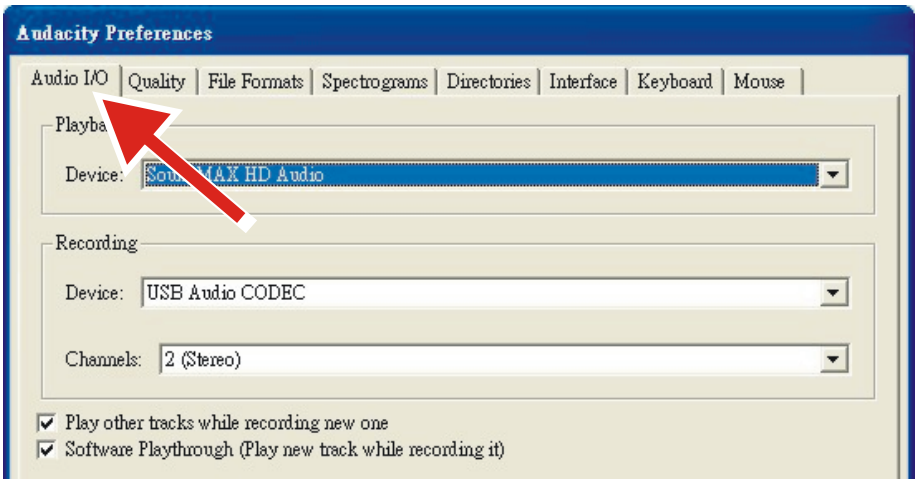
* **Please ensure you have installed the software before starting.**

Setting up your PC to work with Audacity

1. Connect an input source to the unit.
2. Connect the USB lead to your computer.
3. Install the Audacity recording software.
4. Open the Audacity program.
5. Select Preference from the Edit tab in the Audacity Menu.



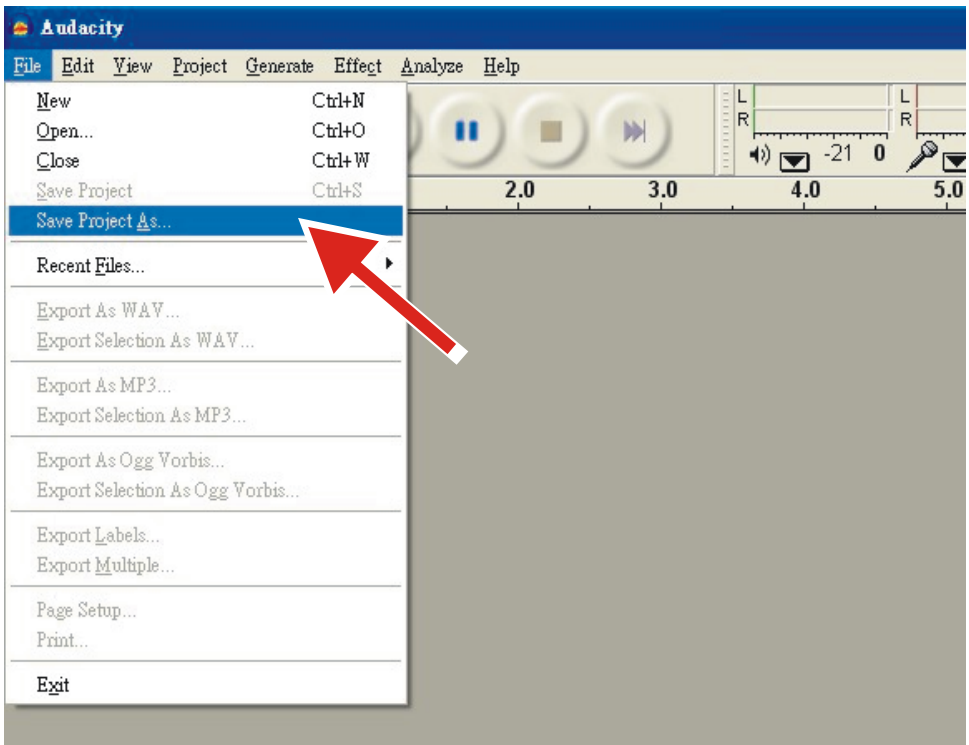
6. Select **Audio I/O** tab at the top left.
 - Under Playback, Device, select **your internal sound card**.
 - Under Recording, Device, select **USB Audio CODEC**.
 - Under Recording, Channels, select **2 (Stereo)**.
 - Check the box marked **Play other tracks while recording new one**.
 - Check the box marked **Software Playthrough**.



Recording Albums with Audacity


1. Saving a project

- Audacity writes all the changed and recorded audio to a directory called **Projectname_data**, which is located right where you saved the project file itself.
- Thus, select **Save Project as** from your Audacity File tab and choose a location and filename for your project.
- Please note that when you startup Audacity fresh, only the “**Save As...**” menu option is available.

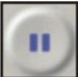


2. How to record

- Set your USB turntable up to play the song or album you want to record.

- Click on the red Record button  to begin recording.

- Lower tone arm on USB turntable onto album and track you want to record.

- Click on the blue Pause button  to pause the recording. Press it again to continue.

- Click on the yellow Stop button. 

That's it. You can now play around with your recording and explore the editing capabilities of Audacity. Remember that you can use the Undo function almost without limits while the project is open.

NOTE: CD's cannot be burned directly from the Audacity application. Other CD burning applications should be used.

1. Guarantee

Lenco offers service and warranty in accordance to European law, which means that in case of repairs (both during and after the warranty period) you should contact your local dealer.

Important note: It is not possible to send products that need repairs to Lenco directly.

Important note: If this unit is opened or accessed by a non-official service center in any way, the warranty expires.

This device is not suitable for professional use. In case of professional use, all warranty obligations of the manufacturer will be voided.

2. Disclaimer

Updates to Firmware and/or hardware components are made regularly. Therefore some of the instruction, specifications and pictures in this documentation may differ slightly from your particular situation. All items described in this guide for illustration purposes only and may not apply to particular situation. No legal right or entitlements may be obtained from the description made in this manual.

3. Disposal of the Old Device



This symbol indicates that the relevant electrical product or battery should not be disposed of as general household waste in Europe. To ensure the correct waste treatment of the product and battery, please dispose them in accordance to any applicable local laws of requirement for disposal of electrical equipment or batteries. In so doing, you will help to conserve natural resources and improve standards of environmental protection in treatment and disposal of electrical waste (Waste Electrical and Electronic Equipment Directive).

4. CE Marking

Hereby, Lenco Benelux B.V., Thermiekstraat 1a, 6361 HB Nuth, The Netherlands, declares that this product is in compliance with the essential EU directive requirements.

The declaration of conformity may be consulted via techdoc@commaxxgroup.com



5. Service

For more information and helpdesk support, please visit

www.lenco.com Lenco Benelux BV, Thermiekstraat 1a, 6361 HB,

The Netherlands.

LET OP:

Het gebruik van afstandsbedieningen of aanpassingen of de uitvoering van procedures die niet in dit document zijn gespecificeerd, kan leiden tot gevaarlijke blootstelling aan straling.

VOORZORGSMAATREGELEN VOOR GEBRUIK**ONTHOUD DE VOLGENDE INSTRUCTIES:**

1. Bedek of blokkeer de ventilatieopeningen niet. Wanneer u het apparaat op een schap plaatst, dient u 5 cm (2") vrije ruimte rondom het gehele apparaat te behouden.
2. Installeer het product volgens de meegeleverde gebruikershandleiding.
3. Houd het apparaat uit de buurt van hittebronnen, zoals radiatoren, verwarmingen, kachels, kaarsen en andere hittegenererende producten of open vuur. Het apparaat kan alleen worden gebruikt in een gematigd klimaat. Extreem koude of warme omgevingen dienen te worden vermeden. Het bedrijfstemperatuurbereik ligt tussen 0 °C en 35 °C.
4. Gebruik dit apparaat niet in de buurt van krachtige magnetische velden.
5. Elektrostatische ontlading kan normaal gebruik van dit apparaat verstoren. U hoeft het apparaat in dit geval slechts te resetten en opnieuw op te starten volgens de gebruikershandleiding. Wees voorzichtig tijdens bestandsoverdracht en gebruik het product in een omgeving zonder statische interferentie.
6. Waarschuwing! Steek nooit een voorwerp via de ventilatie- of andere openingen in het product. Er is hoogspanning in het product aanwezig en als u er een object insteekt, kan dat een elektrische schok veroorzaken en/of kortsluiting in de interne onderdelen. Mors om dezelfde reden geen water of vloeistof op het product.
7. Gebruik het toestel niet in vochtige ruimtes, zoals badkamers, stomende keukens of in de buurt van zwembaden.
8. Het apparaat mag niet worden blootgesteld aan druppels en spetters en zorg ervoor dat er geen met vloeistof gevulde voorwerpen, zoals vazen, op of in de buurt van het apparaat worden geplaatst.
9. Gebruik dit apparaat niet wanneer condensatie kan optreden. Wanneer het apparaat in een warme, natte ruimte wordt gebruikt, kunnen zich waterdruppels of condens vormen in het apparaat en kan het apparaat niet goed functioneren. Laat het apparaat 1 of 2 uur uit staan voordat u het inschakelt: het apparaat dient droog te zijn voordat deze stroom ontvangt.
10. Alhoewel dit apparaat met grote zorg gefabriceerd en verschillende keren geïnspecteerd is voordat het de fabriek verlaat, is het nog steeds mogelijk dat er problemen optreden, zoals met alle elektrische apparaten. Als u rook, een overmatige hitteontwikkeling of enig ander onverwacht verschijnsel opmerkt, moet u onmiddellijk de stekker van het netsnoer uit het stopcontact halen.
11. Dit apparaat moet worden gebruikt met een voedingsbron zoals gespecificeerd op het specificatielabel. Als u twijfelt over het type voeding dat gebruikt wordt in uw huis, raadpleeg dan uw dealer of plaatselijk energiebedrijf.
12. Buiten bereik van dieren houden. Sommige dieren kauwen graag op voedingskabels.
13. Gebruik een zacht, droog doekje om het apparaat te reinigen. Gebruik geen oplosmiddelen of op benzine gebaseerde vloeistoffen. U kunt een vochtig doekje met verdund schoonmaakmiddel gebruiken om hardnekkige vlekken te verwijderen.
14. De leverancier is niet verantwoordelijk voor schade of verloren gegevens veroorzaakt door storing, misbruik, modificatie van het apparaat of batterijvervanging.

15. Onderbreek nooit de verbinding wanneer het apparaat formateert of bestanden overdraagt. De gegevens kunnen anders corrupt of verloren raken.
16. Indien het apparaat een USB-afspeelfunctie heeft, moet de USB-geheugenstick rechtstreeks op het apparaat worden aangesloten. Gebruik geen USB-verlengkabel, omdat die kan leiden tot storingen met foutieve gegevens als gevolg.
17. Het classificatielabel bevindt zich op de onderkant of het achterpaneel van het apparaat.
18. Dit hulpmiddel is niet bedoeld voor gebruik door mensen (inclusief kinderen) met een fysieke, zintuiglijke of mentale handicap, of een gebrek aan ervaring en kennis, tenzij zij toezicht of instructies hebben gekregen over het juiste gebruik van het hulpmiddel door een persoon die verantwoordelijk is voor hun veiligheid.
19. Dit product is alleen voor niet-professioneel gebruik bedoeld en niet voor commercieel of industrieel gebruik.
20. Verzeker u ervan dat het apparaat in een stabiele positie staat opgesteld. Schade die wordt veroorzaakt door het gebruik van dit product in een onstabiele positie, trillingen of schokken of het niet opvolgen van de waarschuwingen of voorzorgsmaatregelen in deze gebruikershandleiding wordt niet gedekt door de garantie.
21. Verwijder nooit de behuizing van dit apparaat.
22. Plaats dit apparaat nooit op andere elektrische apparatuur.
23. Geef kinderen geen gelegenheid in aanraking met plastic zakken te komen.
24. Gebruik uitsluitend uitbreidingen/accessoires gespecificeerd door de fabrikant.
25. Laat alle reparaties over aan gekwalificeerd onderhoudspersoneel. Onderhoud is nodig als het apparaat is beschadigd, bijvoorbeeld als de voedingskabel of de stekker is beschadigd, als er vloeistof op het apparaat is gemorst, als er voorwerpen in het apparaat zijn gevallen, als het apparaat is blootgesteld aan regen of vocht, als het apparaat niet normaal werkt of als het is gevallen.
26. Langdurige blootstelling aan harde geluiden van persoonlijke muzikspelers kan leiden tot tijdelijk of permanent gehoorverlies.
27. Als het product wordt geleverd met voedingskabel of wisselstroomvoedingsadapter:
 - Als er zich problemen voordoen, moet u de voedingskabel loskoppelen en het ter onderhoud aanbieden aan gekwalificeerd personeel.
 - Nooit op de voedingsadapter stappen of deze indrukken. Wees zeer voorzichtig, vooral in het gebied rond de stekkers en de kabelaan sluitingen. Plaats geen zware voorwerpen op de voedingsadapter, om beschadiging ervan te voorkomen. Houd het gehele apparaat buiten bereik van kinderen! Wanneer kinderen met de voedingskabel spelen, kunnen zij ernstig letsel oplopen.
 - Haal de stekker uit het stopcontact tijdens onweer of wanneer u deze langere tijd niet gebruikt.
 - Het stopcontact moet in de buurt van de apparatuur zijn geïnstalleerd en eenvoudig te bereiken zijn.
 - Laat AC-stopcontacten of verlengsnoeren nooit overbelast raken. Overbelasting kan brand of een elektrische schok veroorzaken.
 - Apparaten met een Klasse 1 structuur dienen te worden aangesloten op een stopcontact met een beschermende aardverbinding.
 - Apparaten met een Klasse 2 structuur vereisen geen aardverbinding.
 - Houd altijd de stekker vast wanneer u deze uit het stopcontact trekt. Trek nooit aan de voedingskabel. Dit kan tot een kortsluiting leiden.
 - Gebruik nooit een beschadigde voedingskabel of stekker of een los stopcontact. Dit vormt namelijk een risico op brand of elektrische schokken.

28. Indien het product knoopcelbatterijen bevat of wordt geleverd met een afstandsbediening die knoopcelbatterijen bevat:
- Waarschuwing:
- “Batterij niet inslikken, chemisch brandgevaar” of gelijkwaardige werking.
 - De meegeleverde afstandsbediening bevat een knoopcelbatterij. Als de batterij wordt ingeslikt, kan deze in slechts 2 uur ernstige interne brandwonden veroorzaken en tot de dood leiden.
 - Houd nieuwe en gebruikte batterijen buiten bereik van kinderen.
 - Als de batterijhouder niet goed kan worden gesloten, dient u het product niet meer te gebruiken en buiten bereik van kinderen te houden.
 - Als u denkt dat batterijen zijn ingeslikt of binnenin een willekeurig lichaamsdeel terecht zijn gekomen, dient u onmiddellijk medische hulp te zoeken.
29. Waarschuwing m.b.t. het gebruik van batterijen:
- Als de batterij onjuist wordt geplaatst, bestaat er explosiegevaar. Vervang de batterij alleen door een zelfde of vergelijkbare soort batterij.
 - Stel de batterij niet bloot aan extreem hoge of lage temperaturen of een lage luchtdruk op grote hoogte tijdens gebruik, opslag of transport.
 - Vervanging van een batterij door een incorrect type kan leiden tot een ontploffing of de lekkage van ontvlambare vloeistoffen of gas.
 - Het weggooien van een batterij in het vuur of een hete oven, of het mechanisch verpletteren of insnijden van een batterij, kan leiden tot een explosie.
 - Het achterlaten van een batterij in een omgeving met extreem hoge temperaturen kan leiden tot een explosie of het lekken van brandbare vloeistof of gas.
 - Een batterij die aan een extreem lage luchtdruk wordt blootgesteld, kan leiden tot een explosie of het lekken van brandbare vloeistof of gas.
 - Aandacht voor het milieu is nodig bij het verwijderen van de batterijen.

INSTALLATIE

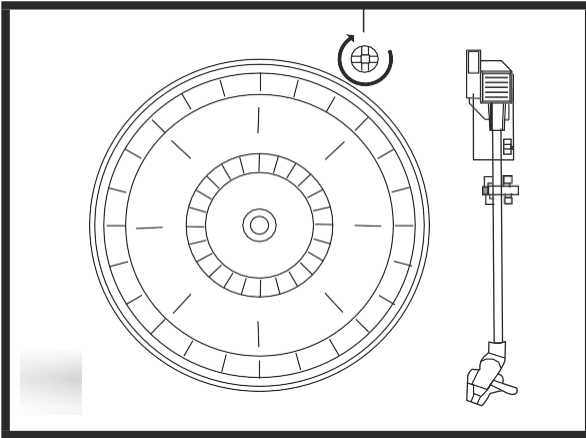
- Pak alle onderdelen uit en verwijder de beschermende materialen.
- Sluit het apparaat niet aan op het stopcontact, voordat u de netspanning hebt gecontroleerd en voordat alle andere aansluitingen zijn gemaakt.

VOORBEREIDING VOOR GEBRUIK UITPAKKEN EN INSTELLEN

- Haal het apparaat voorzichtig uit de verpakking en verwijder alle verpakkingsmaterialen van het apparaat.
- Rol het netsnoer volledig uit.
- Plaats de eenheid op een stabiele, vlakke ondergrond, in de buurt van een stopcontact, niet in direct zonlicht en uit de buurt van bronnen van overmatige hitte, stof, vocht of sterke magnetische velden.
- Steek de stekker in een stopcontact.
- Til het deksel op voor toegang tot het draaiplateau. Het draaiplateau zit voor transportveiligheid nog vast met een transportschroef.

- Gebruik een muntje of schroevendraaier om de transportschroef rechtsom los te draaien. Het draaiplateau kan vervolgens “zweven”.

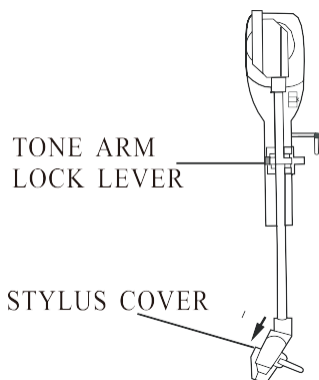
TRANSPORTSCHROEF



- Verwijder de ondoorzichtige, kunststof naaldcover van de platenspeler door deze in de richting van het pijltje te schuiven.

U kunt deze naaldcover afdanken.

- Verwijder de binder waar de toonarm mee vast is gezet voor transportveiligheid.
- Ontgrendel het hendel van de toonarm.
- Steek de stekker in een stopcontact.



EN	NL
TONE ARM LOCK LEVER	VERGRENDELHENDEL VAN TOONARM
STYLUS COVER	NAALDCOVER

VOEDINGSBRON

- Dit systeem maakt gebruik van een lichtnetadapter.
- U dient uw stopcontact te laten vervangen door een gekwalificeerde elektricien.
- De voedingsstekker en voedingsingang dienen overeen te komen, zodat het apparaat correct kan werken.

BELANGRIJK: Het deksel opheffen en neerlaten

Open het deksel door deze zo ver mogelijk op te heffen totdat de dekselsteun in de open stand “vergrendeld”.

Sluit het deksel door deze ietwat op te heffen totdat de dekselsteun “ontgrendeld” en laat het deksel vervolgens voorzichtig zakken.

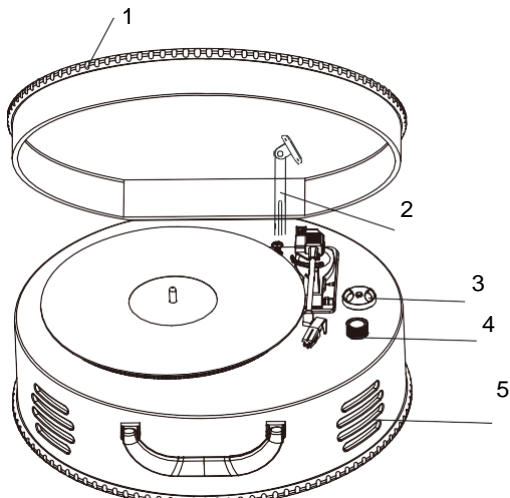
OM BESCHADIGING VAN DE BEHUIZING OF HET DEKSEL TE VOORKOMEN, HET DEKSEL NOOIT FORCEREN

BESCHERM UW MEUBILAIR

Dit model is voorzien van rubberen “voetjes” met antisliplaag om te voorkomen dat het apparaat beweegt wanneer u de bedieningen gebruikt. Deze “voetjes” zijn vervaardigd van niet-migrerend rubber materiaal, speciaal ontwikkeld ter voorkoming van markeringen of vlekken op uw meubilair. Bepaalde soorten oliegebaseerde meubilairlaagjes, houtbeschermers of reinigingsmiddelen kunnen de rubberen “voetjes” echter laten verzwakken, waardoor deze markeren of rubberrestjes op het meubilair achter kunnen laten. Om enigerlei beschadiging van uw meubilair te voorkomen, raden wij u sterk aan zelfklevende viltkussentjes, verkrijgbaar in hardwarewinkels en DIY centra, toe te passen op de onderzijde van de rubberen “voetjes” voordat u het product op gevoelig houten meubilair plaatst.

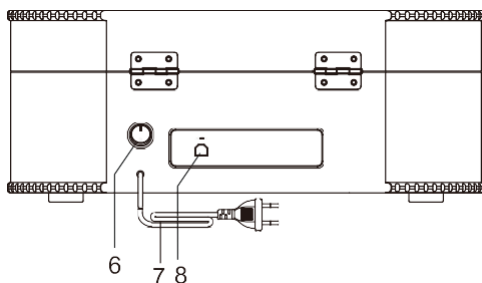
LOCATIE VAN BEDIENINGEN EN INDICATIES

VOORPANEEL



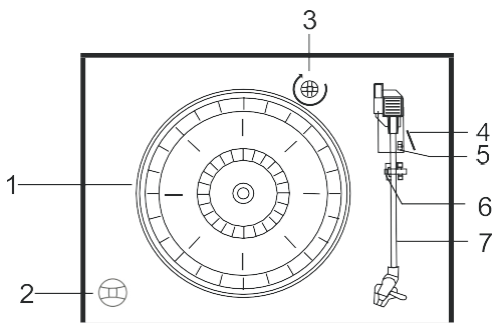
- 1) DEKSEL VAN DRAAIPLATEAU
- 2) DEKSELSTEUN
- 3) 45RPM ADAPTER
- 4) VOLUMEREGELAAR
- 5) LUIDSPREKERS

ACHTERPANEEL



- 6) AAN/UITTOETS
- 7) AC-NETSNOER
- 8) USB-AANSLUITING

PLATENSPELER



- 1) Draaiplateau
- 2) 45RMP adapter
- 3) Transportschroef
- 4) Toonarmbediening
- 5) Toerenschakelaar (33 & 45 & 78TPM)
- 6) Toonarmvergrendeling
- 7) Toonarm met naald

PLATEN AF SPELEN

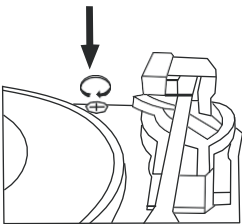
Dit systeem bevat een compleet, riemaangedreven draaiplateau met 3 snelheden. U kunt 33, 45 en 78TPM langspeelplaten afspelen.

- 1) Druk op de AAN/UITTOETS om het apparaat in te schakelen.
- 2) Zorg ervoor dat de naaldcover van de naald is verwijderd en dat de toonarmvergrendeling, waarmee de toonarm vast zit op de toonarmsteun, los zit.
- 3) Stel de toerenschakelaar in op de vereiste snelheid, 33, 45 of 78TPM. Als u 45TPM singles afspeelt, dient u de 45TPM adapter op de middenas te plaatsen.
- 4) Plaats uw langspeelplaat op de middenas.
- 5) Hef de toonarmbediening op om de toonarm van de steun op te pikken. Beweeg de toonarm naar de rand van de plaat. Het draaiplateau begint automatisch te draaien. Gebruik de toonarmbediening om de toonarm geleidelijk aan op de plaat te laten zakken.
- 6) Wanneer de toonarm het einde van de plaat bereikt, zal deze automatisch terugkeren naar de steun terwijl het draaiplateau stopt met draaien.
- 7) Schakel het systeem "Off" (uit) door de AAN/UITTOETS voor 2 seconden ingedrukt te houden.

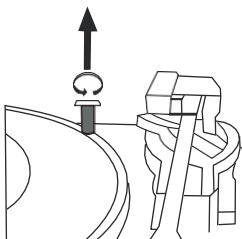
OPMERKING: Draai of stop de platenspeler nooit met de hand. De platenspeler bewegen of schudden zonder dat de toonarm vast zit in de steun kan tot beschadiging van de toonarm leiden.

BELANGRIJK

- OM DE PLATENSPELER TE BESCHERMEN TEGEN TRANSPORTSCHADE, IS RECHTSBOVEN IN DE HOEK VAN HET DRAAIPLATEAU EEN ZILVEREN TRANSPORTSCHROEF GEPLAATST.
- VOORAFGAAND AAN HET AF SPELEN, GEBRUIK A.U.B. EEN SCHROEVENDRAAIER OM DE TRANSPORTSCHROEF RECHTSOM LOS TE DRAAIEN (OMLAAG SCHROEVEN) OM HET DRAAIPLATEAU VOLLEDIG TE ONTGRENDELEN



- OM HET DRAAIPLATEAU WEER TE VERGRENDELEN VOOR TRANSPORTATIE, DIEN U DE SCHROEF LINKSOM VAST TE DRAAIEN.



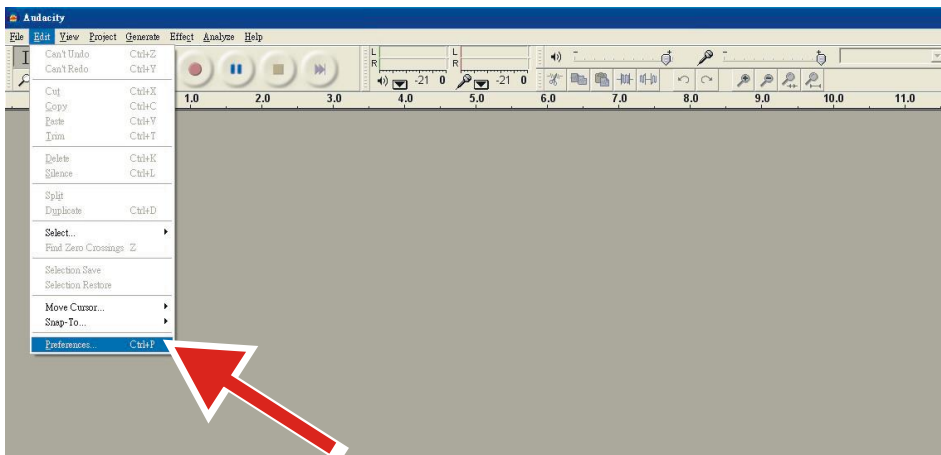
OVERZICHT AUDACITY SOFTWARE

Audacity is gratis software, onder licentie van de GNU Algemene Publieke Licentie (GPL). Meer informatie en tevens open broncodes zijn te vinden op de website <https://www.audacityteam.org/download/>

* **Zorg er a.u.b. voor dat de software is geïnstalleerd voordat u van start gaat.**

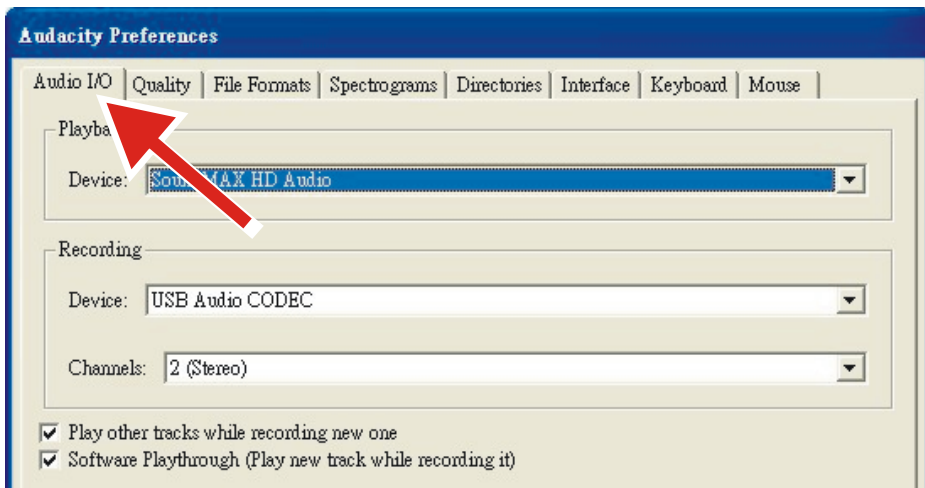
Uw PC instellen om met Audacity te werken

7. Sluit een ingangsbron aan op het apparaat.
8. Sluit de USB-kabel aan op uw computer.
9. Installeer de Audacity opnamesoftware.
10. Open het Audacity programma.
11. Selecteer “Preference” (Voorkeur) op het tabblad “Edit” (Bewerken) in het Audacity Menu.



12. Selecteer het tabblad **Audio I/O** linksboven op het scherm.

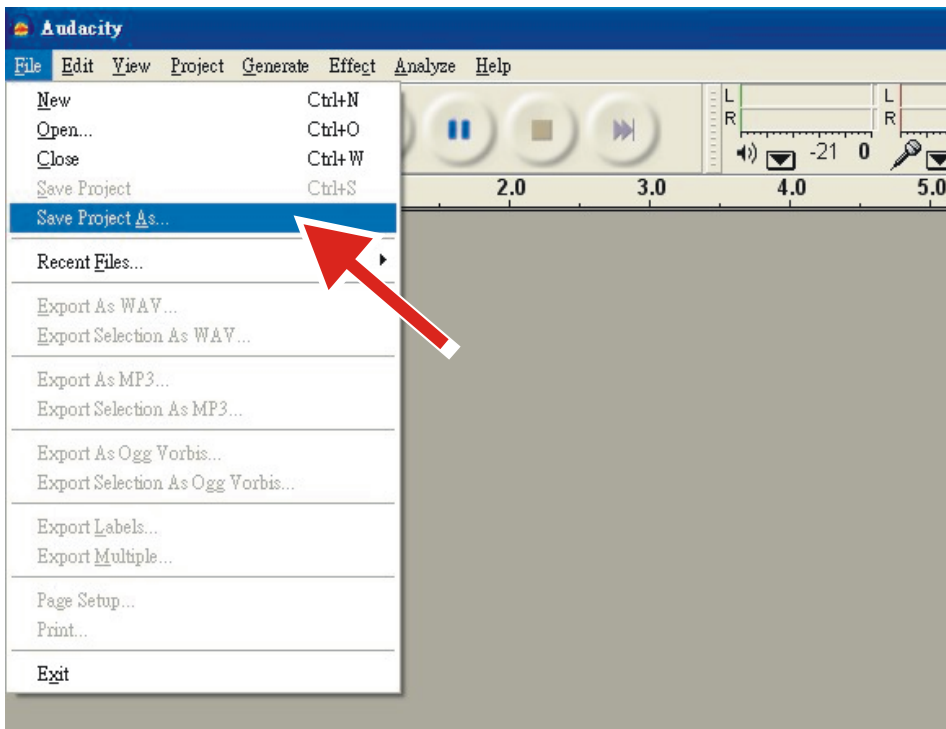
- Onder Afspelen, Apparaat, selecteer **uw interne geluidskaart**.
- Onder Opnemen, Apparaat, selecteer **USB Audio CODEC**.
- Onder Opname, Kanalen, selecteer **2 (Stereo)**.
- Vink de box af gemarkeerd **Play other tracks while recording new one** (Andere tracks afspelen terwijl een nieuwe wordt opgenomen).
- Vink de box af gemarkeerd **Software Playthrough** (Software Afspelen).



Albums opnemen met Audacity


3. Een project opslaan

- Audacity schrijft alle veranderde en opgenomen audio naar een folder met de naam **Projectname_data**, te vinden rechts van waar u het projectbestand zelf hebt opgeslagen.
- Selecteer dus **Save Project as** (project opslaan als) op het tabblad Audacity Bestand en kies een locatie en bestandsnaam voor uw project.
- Vergeet a.u.b. niet dat als u Audacity opnieuw start, alleen de menuoptie "**Save As...**" (opslaan als) beschikbaar is.

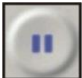


4. Opnemen

- Stel uw USB-platenspeler in om de track of het album af te spelen dat u wilt opnemen.

- Druk op de rode Opnametoets  opname te starten.

- Laat de toonarm op de USB-platenspeler zakken op het album of de track die u wilt opnemen.

- Druk op de blauwe Pauzetoets  om de opname te pauzeren. Druk nogmaals in om te vervolgen.

- Klik op de gele Stoptoets. 

Dat is alles. U kunt nu aan de slag met uw opname en de bewerksfuncties van Audacity uitproberen. Vergeet niet dat u de functie Ongedaan Maken vrijwel zonder beperkingen kunt gebruiken terwijl het project is geopend.

OPMERKING: CD's kunnen niet direct worden gebrand met de Audacity applicatie. Voor het branden van

CD's zijn andere applicaties nodig.

1. Garantie

Lenco biedt service en garantie aan overeenkomstig met de Europese wetgeving. Dit houdt in dat u, in het geval van reparaties (zowel tijdens als na de garantieperiode), uw lokale handelaar moet contacteren.

Belangrijke opmerking: Het is niet mogelijk om producten die gerepareerd moeten worden direct naar Lenco te sturen.

Belangrijke opmerking: De garantie verloopt als een onofficieel servicecenter het apparaat op wat voor manier dan ook heeft geopend, of er toegang toe heeft gekregen.

Het apparaat is niet geschikt voor professioneel gebruik. In het geval van professioneel gebruik worden alle garantieverplichtingen van de fabrikant nietig verklaard.

2. Disclaimer

Er worden regelmatig updates in de firmware en/of hardwarecomponenten gemaakt. Daardoor kunnen gedeelten van de instructie, de specificaties en afbeeldingen in deze documentatie enigszins verschillen van uw eigen situatie. Alle onderwerpen die staan beschreven in deze handleiding zijn bedoeld als illustratie en zijn niet van toepassing op specifieke situaties. Aan de beschrijving in dit document kunnen geen rechten worden ontleend.

3. Afvoer van het oude apparaat



Dit symbool geeft aan dat het betreffende elektrische product of de batterij niet moet worden verwijderd als algemeen huishoudelijk afval in Europa. Zorg voor een juiste afvalverwerking door het product en de batterij in overeenstemming met alle van toepassing zijnde lokale wetten voor het verwijderen van elektrische apparatuur of batterijen te verwijderen. Als u dit doet, helpt u de natuurlijke hulpbronnen te behouden en de standaard van milieubescherming te verbeteren bij de behandeling en verwijdering van elektrisch afval (Afgedankte Elektrische en Elektronische Apparatuur).

4. CE-markering

Lenco Benelux B.V., Thermiekstraat 1a, 6361 HB Nuth, Nederland, verklaart hierbij dat dit product voldoet aan de vereisten van de essentiële EU-richtlijnen. De conformiteitsverklaring kan worden opgevraagd via techdoc@commaxxgroup.com



5. Service

Bezoek voor meer informatie en helpdeskondersteuning
www.lenco.com Lenco Benelux BV, Thermiekstraat 1a, 6361 HB,
Nederland.

ACHTUNG:

Eine andere als die hier beschriebene Bedienung, Einstellung oder Verwendung der Funktionen kann zu gefährlicher Strahlenbelastung führen.

VORSICHTSMASSNAHMEN VOR DER BENUTZUNG**BEFOLGEN SIE IMMER FOLGENDE ANWEISUNGEN:**

1. Blockieren oder bedecken Sie keine Lüftungsöffnungen. Wenn Sie das Gerät auf ein Regal stellen, lassen Sie um das gesamte Gerät 5 cm (2") freien Platz.
2. Stellen Sie das Gerät entsprechend den Anweisungen der mitgelieferten Bedienungsanleitung auf.
3. Halten Sie das Gerät von Hitzequellen wie Radiatoren, Heizern, Öfen, Kerzen oder anderen hitzeerzeugenden Produkten oder offenen Flammen fern. Das Gerät darf nur bei gemäßigttem Klima verwendet werden. Sehr kalte oder heiße Umgebungen sind zu vermeiden. Der Betriebstemperaturbereich liegt zwischen 0 °C und 35 °C.
4. Meiden Sie bei der Nutzung des Produkts die Nähe starker Magnetfelder.
5. Elektrostatische Entladungen können die normale Verwendung von diesem Gerät stören. Sollte dies geschehen, führen Sie einfach einen Reset aus und starten Sie dann das Gerät entsprechend den Anweisungen dieser Bedienungsanleitung neu. Gehen Sie besonders bei Datenübertragungen mit dem Gerät vorsichtig um und führen Sie diese nur in einer antielektrischen Umgebung aus.
6. Warnung! Niemals Gegenstände durch die Lüftungsschlitze oder Öffnungen in das Gerät stecken. In diesem Gerät fließt Hochspannung und das Hineinstecken von Gegenständen kann zu elektrischem Schock und/oder Kurzschluss interner elektrischer Bauteile führen. Aus dem gleichen Grund kein Wasser oder Flüssigkeiten in das Gerät geben.
7. Benutzen Sie das Gerät nicht in nasser oder feuchter Umgebung wie Bad, Dampfküche oder in der Nähe von Schwimmbecken.
8. Das Gerät darf weder Tropf- noch Spritzwasser ausgesetzt werden und es dürfen keine mit Flüssigkeit gefüllten Behälter wie z.B. Vasen auf das Gerät oder in der Nähe des Gerätes gestellt werden.
9. Benutzen Sie das Gerät nicht bei Kondensationsgefahr. Wenn Sie das Gerät in einem warmen feuchten Raum benutzen, dann können sich im Inneren des Geräts Wassertropfen oder Kondensationen bilden und zu Fehlfunktionen des Geräts führen. Schalten Sie in diesem Fall das Gerät für 1 – 2 Stunden aus, bevor Sie es erneut einschalten: Das Gerät sollte vollständig getrocknet sein, wenn Sie es wieder einschalten.
10. Obwohl dieses Gerät unter größter Sorgfalt und vor Auslieferung mehrmals überprüft wurde, können trotzdem wie bei jedem anderen elektrischen Gerät auch Probleme auftauchen. Trennen Sie das Gerät im Falle einer Rauchentwicklung, starker Hitzeentwicklung oder jeden anderen unnatürlichen Erscheinung sofort vom Netz.
11. Dieses Gerät ist durch eine Stromquelle wie auf dem Typenschild angegeben zu betreiben. Halten Sie bei Unsicherheiten über die Art Ihrer Stromversorgung in Ihrer Wohnung Rücksprache mit Ihrem Händler oder Ihrer Stromzuliefererfirma.
12. Halten Sie es von Haustieren fern. Einige Nagetiere lieben es, an Netzkabeln zu nagen.
13. Benutzen Sie für die Reinigung ein weiches und trockenes Tuch. Benutzen Sie niemals Lösungsmittel oder Flüssigkeiten auf Ölbasis. Benutzen Sie zum Entfernen hartnäckiger Flecken ein feuchtes Tuch mit mildem Reinigungsmittel.
14. Der Hersteller haftet nicht für Schäden oder Verluste durch Fehlfunktion, Zweckentfremdung oder Modifikation des Geräts oder durch Wechseln der Batterien.

15. Unterbrechen Sie die Verbindung nicht während einer Formatierung oder einer Datenübertragung. Bei Unterbrechung drohen Datenverlust und Datenbeschädigung.
16. Wenn das Gerät eine USB-Wiedergabefunktion besitzt, dann stecken Sie den USB-Stick direkt in das Gerät. Verwenden Sie kein USB-Verlängerungskabel, weil die erhöhte Störungsanfälligkeit zu Datenverlust führen könnte.
17. Das Typenschild befindet sich an der Unter- oder Rückseite des Geräts.
18. Dieses Gerät ist nicht zur Benutzung durch Personen (einschließlich Kinder) mit physischen, sensorischen oder mentalen Beeinträchtigungen oder ohne ausreichender Erfahrung vorgesehen, es sei denn, sie werden durch eine verantwortliche Person beaufsichtigt oder wurden in die ordnungsgemäße Bedienung des Gerätes durch eine für ihre Sicherheit verantwortliche Person eingewiesen.
19. Dieses Produkt ist nur für den nicht-professionellen Gebrauch und nicht für gewerbliche oder industrielle Zwecke bestimmt.
20. Stellen Sie sicher, dass das Gerät in einer stabilen Position aufgestellt ist. Schäden aufgrund Verwendung dieses Produkts in einer instabilen Position, Vibrationen, Stöße oder Nichtbeachtung der anderen in dieser Bedienungsanleitung enthaltenen Warnungen und Sicherheitshinweise werden nicht durch die Garantie abgedeckt.
21. Entfernen Sie niemals das Gehäuse dieses Produkts.
22. Stellen Sie das Produkt niemals auf andere elektrische Geräte.
23. Halten Sie Kinder von den Plastiktüten fern.
24. Benutzen Sie nur vom Hersteller spezifizierte Erweiterungen/Zubehörteile.
25. Lassen Sie alle Eingriffe von qualifiziertem Servicepersonal ausführen. Eingriffe werden notwendig, wenn das Gerät auf irgendeine Weise wie beispielsweise am Netzkabel oder am Netzstecker beschädigt wurde, Flüssigkeit in das Gerät eingedrungen ist, Gegenstände in das Gerät gefallen sind, das Gerät Regen oder Feuchtigkeit ausgesetzt war, es heruntergefallen ist oder nicht ordnungsgemäß funktioniert.
26. Langes Hören lauter Töne aus einem Musikgerät kann zum zeitweiligen oder permanenten Hörverlust führen.
27. Wenn zum Lieferumfang des Produkts ein Netzkabel oder ein Netzadapter gehört:
 - Wenn irgendwelche Probleme auftreten, dann ziehen Sie den Netzstecker aus der Netzsteckdose und setzen Sie sich anschließend mit einer qualifizierten Fachkraft in Verbindung.
 - Treten Sie nicht auf das Netzteil und klemmen Sie es auch nicht ein. Geben Sie besonders im näheren Bereich des Steckers und der Stelle acht, wo das Kabel aus dem Gerät herausgeführt wird. Stellen Sie keine schweren Gegenstände auf das Netzteil, weil es dadurch beschädigt werden könnte. Halten Sie das gesamte Gerät außerhalb der Reichweite von Kindern! Durch Spielen mit dem Netzkabel können sie sich ernsthafte Verletzungen zuziehen.
 - Trennen Sie das Gerät während eines Gewitters oder bei längerer Nichtbenutzung vom Netz.
 - Die Wandsteckdose muss sich in der Nähe des Geräts befinden und einfach zu erreichen sein.
 - Steckdosen und Verlängerungsleitungen nicht überlasten. Eine Überlastung kann zu Brandgefahr bzw. Stromschlag führen.
 - Geräte der Schutzklasse 1 sind an eine Netzsteckdose mit Schutzleiter anzuschließen.
 - Geräte der Schutzklasse 2 benötigen keinen Schutzleiteranschluss.
 - Halten Sie den Netzstecker in der Hand, wenn Sie ihn aus der Netzsteckdose ziehen. Ziehen Sie ihn nicht durch Zерren am Kabel heraus. Das kann zu einem Kurzschluss führen.
 - Verwenden Sie weder ein beschädigtes Netzkabel noch einen beschädigten Stecker oder eine lockere Steckdose. Es besteht Brand- und Stromschlaggefahr.

28. Wenn das Produkt mit einer Fernbedienung mit Batterien/Knopfzellen geliefert wird oder das Produkt eine derartige Fernbedienung umfasst:

Warnung:

- „Die Batterie nicht einnehmen, er besteht Verätzungsgefahr“.
- [Die mit diesem Produkt mitgelieferte Fernbedienung] enthält eine Knopfzelle. Das Verschlucken der Batterie kann innerhalb von nur 2 Stunden zu schwersten inneren Verbrennungen mit Todesfolge führen.
- Halten Sie neue und gebrauchte Batterien von Kindern fern.
- Verwenden Sie dieses Produkt nicht weiter und halten Sie es von Kindern fern, wenn das Batteriefach nicht sicher schließt.
- Suchen Sie umgehend ärztliche Hilfe auf, wenn Sie vermuten, dass Batterien verschluckt oder in Körperöffnungen eingeführt wurden.

29. Warnhinweise bzgl. der Verwendung von Batterien:

- Es besteht Explosionsgefahr, wenn die Batterien nicht korrekt eingelegt werden. Nur mit Batterien des gleichen oder entsprechenden Typs ersetzen.
- Die Batterie darf während der Benutzung, Aufbewahrung oder des Transports weder sehr hohen oder sehr niedrigen Temperaturen noch niedrigem Luftdruck in großen Höhenlagen ausgesetzt werden.
- Die Ersetzung der Batterie mit einem falschen Batterietyp kann zum Explodieren der Batterie oder dem Auslaufen von entflammbarem Gas oder entflammbarer Flüssigkeit aus der Batterie führen.
- Die Entsorgung der Batterie in Feuer oder einem heißen Ofen oder das mechanische Zerkleinern oder Zerteilen der Batterie kann zu Explosionen führen.
- Das Verbleiben der Batterie in einer Umgebung mit sehr hohen Temperaturen kann zum Explodieren der Batterie oder dem Auslaufen von entflammbarem Gas oder entflammbarer Flüssigkeit führen.
- Eine in einem sehr niedrigen Luftdruck ausgesetzte Batterie kann explodieren oder es kann aus einer in einem sehr niedrigen Luftdruck ausgesetzten Batterie entflammbares Gas oder entflammbare Flüssigkeit auslaufen.
- Achten Sie auf den ökologischen Aspekt der Batterieentsorgung zu legen.

ANSCHLUSS

- Packen Sie alle Teile aus und entfernen Sie danach die Schutzmaterialien.
- Schließen Sie das Gerät nicht eher an das Netz an, bevor Sie die Netzspannung überprüft haben und alle anderen notwendigen Verbindungen hergestellt sind.

- Die Entsorgung der Batterie in Feuer oder einem heißen Ofen oder das mechanische Zerkleinern oder Zerteilen der Batterie kann zu Explosionen führen.
- Das Verbleiben der Batterie in einer Umgebung mit sehr hohen Temperaturen kann zum Explodieren der Batterie oder dem Auslaufen von entflammbarem Gas oder entflammbarer Flüssigkeit führen.
- Eine einem sehr niedrigen Luftdruck ausgesetzte Batterie kann explodieren oder es kann aus einer einem sehr niedrigen Luftdruck ausgesetzten Batterie entflammbares Gas oder entflammbare Flüssigkeit auslaufen.
- Augenmerk ist auf den ökologischen Aspekt der Batterieentsorgung zu legen.

ANSCHLUSS

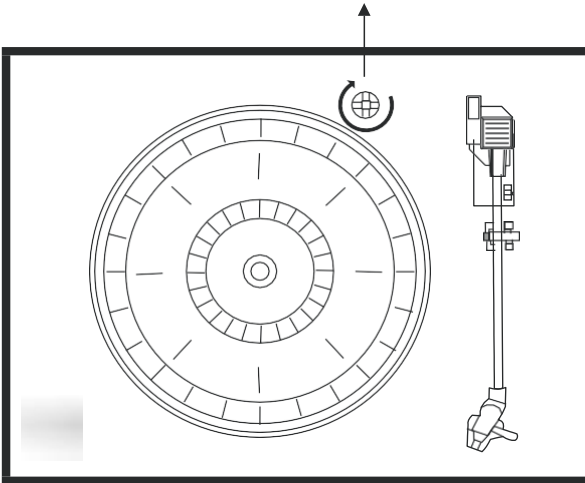
- Packen Sie alle Teile aus und entfernen Sie danach die Schutzmaterialien.
- Schließen Sie das Gerät nicht eher an das Netz an, bevor Sie die Netzspannung überprüft haben und alle anderen notwendigen Verbindungen hergestellt sind.

VORBEREITUNG FÜR DIE ANWENDUNG

AUSPACKEN UND AUFSTELLEN

- Nehmen Sie das Gerät vorsichtig aus dem Displaykarton und entfernen Sie dann jegliches Verpackungsmaterial vom Gerät.
- Wickeln Sie das Netzkabel vollständig ab, um seine volle Länge zu erhalten.
- Stellen Sie das Gerät in Nähe einer Netzsteckdose auf einer stabilen, ebenen Oberfläche auf, wo es weder direktem Sonnenlicht noch Quellen starker Hitze, Staub, Nässe, Feuchtigkeit oder starken Magnetfeldern ausgesetzt ist.
- Stecken Sie den Netzstecker in die Netzsteckdose.
- Öffnen Sie den Deckel des Phonographen, um den Phonographen freizulegen. Der Phonograph ist für den Transport durch eine Transportsicherungsschraube gesichert.
- Drehen Sie diese Transportsicherungsschraube mit einer Geldmünze oder einem Schraubenzieher in Uhrzeigerichtung. Dadurch wird der Plattenteller „drehbar“.

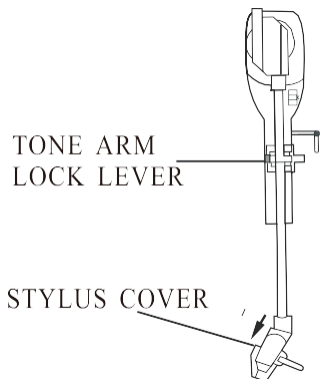
TRANSPORTSICHERUNGSSCHRAUBE



- Entfernen Sie die undurchsichtige Plastik-Tonkopfabdeckung des Phonographentonkopfes durch Abziehen in Richtung des Pfeiles.

Entsorgen Sie diese Tonkopfabdeckung.

- Entfernen Sie den verdrehten Draht, mit dem der Tonarm während des Transportes gesichert wurde.
- Lösen Sie den Tonarmsicherungshebel.
- Stecken Sie den Netzstecker in die Netzsteckdose.



EN	DE
TONE ARM LOCK LEVER	TONARMSICHERUNGSHABEL
STYLUS COVER	TONKOPFABDECKUNG

STROMQUELLE

- Dieses System wird über ein Netzteil betrieben.
- Lassen Sie Ihre Steckdose nur durch qualifiziertes Fachpersonal umbauen.
- Um eine ordnungsgemäße Funktion gewährleisten zu können, müssen Stromstecker und Strombuchse einander entsprechen.

WICHTIG: Öffnen und Schließen des Deckels

Heben Sie den Deckel zum Öffnen soweit an, bis die Deckelstütze in der Offenposition „einrastet“.

Ziehen Sie den Deckel zum Schließen leicht aufwärts, bis die Deckelstütze „entriegelt“ und schließen Sie danach behutsam den Deckel.

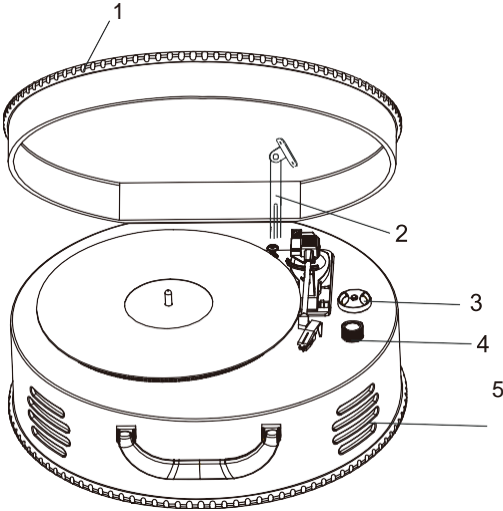
**UM BESCHÄDIGUNGEN DES GEHÄUSES UND DES DECKELS ZU VERMEIDEN;
DEN DECKEL NIEMALS GEWALTSAM ÖFFNEN ODER SCHLIEßEN**

SCHÜTZEN SIE IHRE MÖBEL

Dieses Modell besitzt zur Vorbeugung gegen ungewolltes Verrutschen während der Bedienung Antirutsch-„Füßchen“. Diese „Füßchen“ bestehen aus einem abriebfesten Gummimaterial, das speziell dafür entwickelt wurde, keine Flecken oder Spuren auf Ihren Möbeln zu hinterlassen. Jedoch können einige Arten ölbasierter Möbelpolituren, Holzschutzmittel oder Reinigungssprays diese „Gummifüßchen“ weich machen und so zu Spuren oder Gummiabrieb auf Ihren Möbeln führen. Zur Vorbeugung von jeglicher Art Schaden an Ihren Möbeln empfehlen wir den Kauf von kleinen, selbstklebenden Filzunterlagen, wie Sie sie in jedem Baumarkt oder Möbelhaus erwerben können. Bringen Sie diese Filzunterlage an den „Gummifüßchen“ an, bevor Sie das Produkt auf Ihr schönes Holzmöbel stellen.

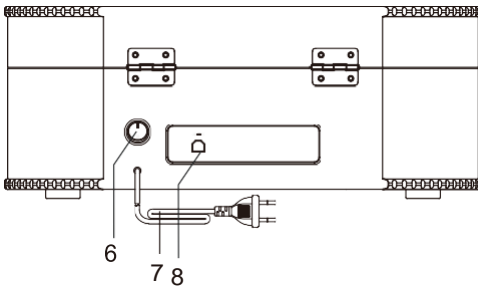
LAGE DER BEDIEN- UND ANZEIGEELEMENTE

FRONTSEITE



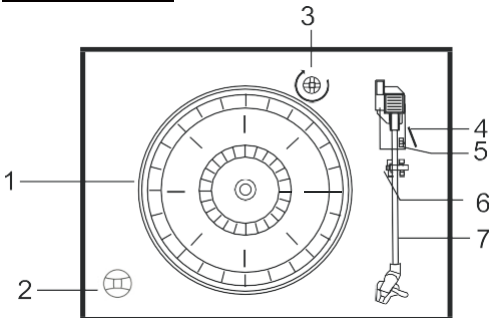
- 1) PHONOGRAPHENDECKEL
- 2) PHONOGRAPHENDECKELSTÜTZE
- 3) 45U/min-ADAPTER
- 4) LAUTSTÄRKEREGLER
- 5) LAUTSPRECHER

RÜCKSEITE



- 6) EIN/AUS-SCHALTER
- 7) AC STROMKABEL
- 8) USB-PORT

PHONOGRAPH



- 1) Plattenteller
- 2) 45U/min-Adapter
- 3) Transportsicherungsschraube
- 4) Lifthebel
- 5) Drehzahlwähler
(33, 45 und 78 U/min)
- 6) Tonarmverriegelung
- 7) Tonarm mit Tonkopf

AUFNAHMEN ABSPIELEN

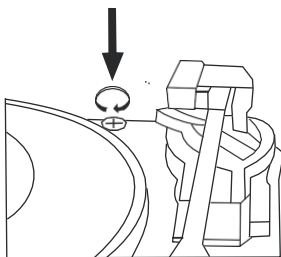
Dieses System besitzt einen riemengetriebenen Plattenteller mit drei Umdrehungsgeschwindigkeiten. Hiermit können Sie Platten für 33, 45 und 78 U/min abspielen.

- 1) Drücken Sie zum Einschalten des Geräts die EIN/AUS-Taste.
- 2) Kontrollieren Sie, ob Sie die Tonkopfabdeckung vom Tonkopf entfernt haben und entriegeln Sie die Tonarmverriegelung, die den Tonarm am Gerät fixiert.
- 3) Stellen Sie am Plattenteller-Umdrehungszahlwähler die gewünschte Umdrehungszahl von 33, 45 oder 78 U/min ein. Setzen Sie beim Abspielen von 45 U/min-Singles den 45 U/min-Adapter auf den Plattentift.
- 4) Setzen Sie Ihre Platte auf den Plattentift.
- 5) Heben Sie zum Anheben des Tonarmes den Lifthebel an. Führen Sie den Tonarm zum Plattenrand. Der Plattenteller beginnt sich automatisch zu drehen. Benutzen Sie zum sanften Absenken des Tonarmes auf die Platte den Lifthebel.
- 6) Erreicht der Tonarm das Ende der Platte, kehrt er automatisch zur Tonarmaufnahme zurück und die Plattentellerdrehung wird beendet.
- 7) Drücken Sie zum „Ausschalten“ des Gerätes zwei Sekunden lang den EIN/AUS-Schalter.

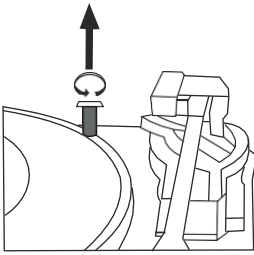
HINWEIS: Drehen oder stoppen Sie den Plattenteller niemals mit der Hand. Ein Bewegen oder Vibrieren des Plattentellers ohne Sicherung des Tonarmes in der Tonarmhalterung kann zur Beschädigung des Tonarmes führen.

WICHTIG

- ZUM SCHUTZ DES PLATTENTELLERS WÄHREND DES TRANSPORTES BEFINDET SICH EINE SILBERNE TRANSPORTSICHERUNGSSCHRAUBE OBEN RECHTS AUF DER PLATTENTELLERPLATTFORM.
- BITTE DREHEN SIE ZUM ENTSICHERN DES PLATTENTELLERS DIESE SCHRAUBE VOR DER WIEDERGABE EINER PLATTE MIT EINEM SCHRAUBENZIEHER IN UHRZEIGERRICHTUNG NACH UNTEN (DIE SCHRAUBE WIRD VOLLSTÄNDIG VERSENKT).



- DREHEN SIE DIESE SCHRAUBE GEGEN UHRZEIGERRICHTUNG HERAUS; UM DEN PLATTENTELLER WIEDER FÜR DEN TRANSPORT ZU SICHERN.



ÜBERSICHT DER AUDACITY SOFTWARE

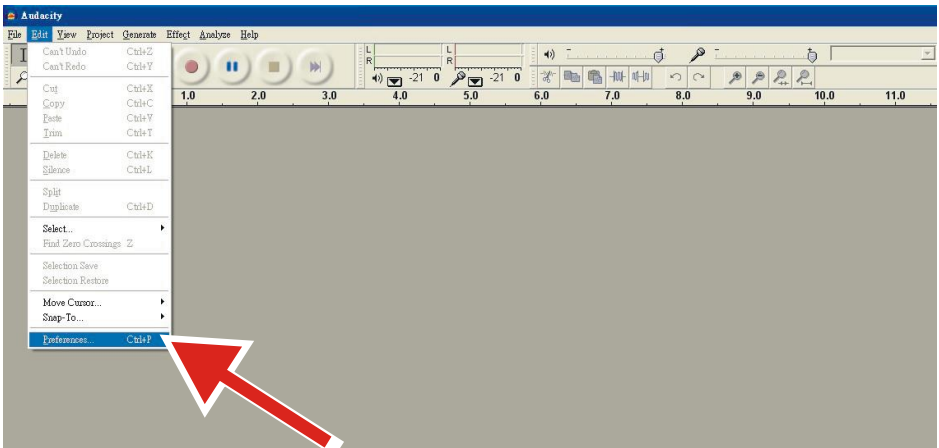
Audacity ist eine kostenlose Software unter Lizenz von GNU General Public License (GPL). Nähere Informationen sowie den offenen Quellcode finden Sie im Internet unter

<https://www.audacityteam.org/download/>

* **Vergewissern Sie sich, dass Sie die Software vor der Inbetriebnahme installiert haben.**

Vorbereitung des PCs für die Verwendung von Audacity

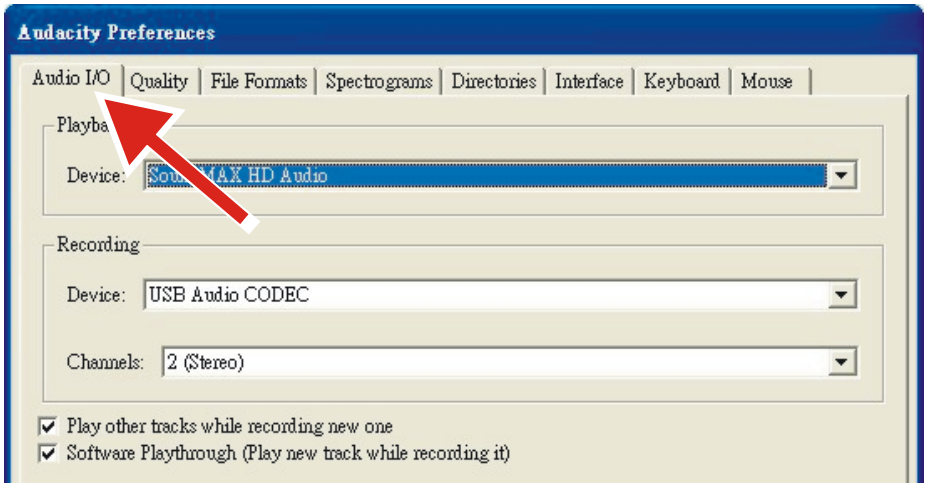
13. Verbinden Sie eine Eingangsquelle mit dem Gerät.
14. Schließen Sie das USB-Kabel an Ihren Computer an.
15. Installieren Sie die Aufnahmesoftware Audacity.
16. Starten Sie Audacity.
17. Wählen Sie im Audacity-Menü unter Edit (Bearbeiten) die Option Preference (Benutzereinstellungen).



18. Wählen Sie oben links die Einstellung **Audio I/O**.

- Wählen Sie unter Wiedergabe, Gerät **Ihre interne Soundkarte**.

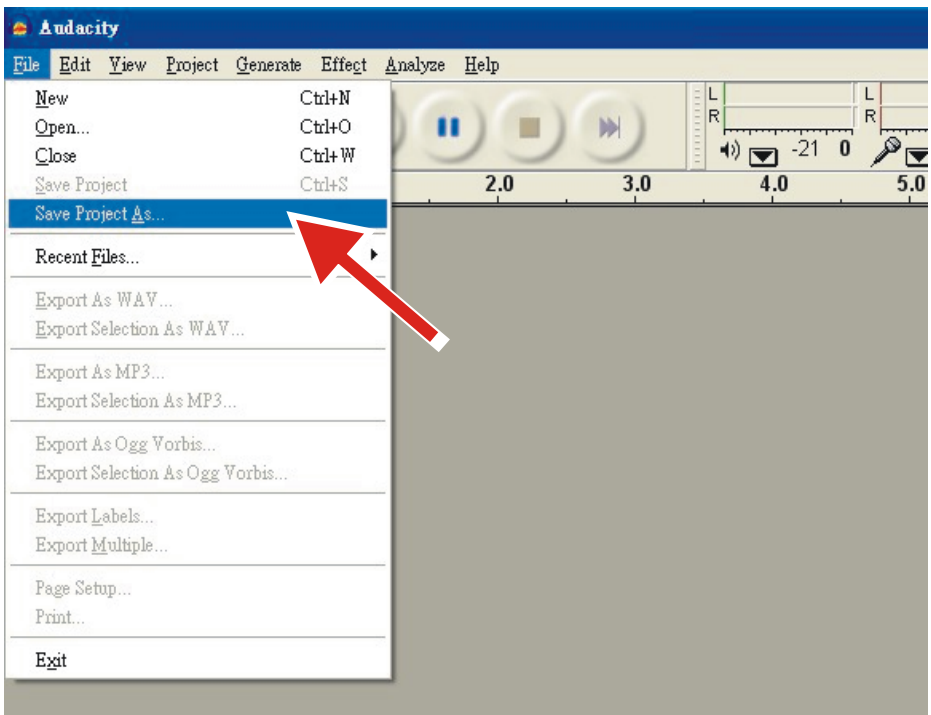
- Wählen Sie unter Aufnahme, Gerät **USB Audio CODEC** (USB-Audiocodec).
- Wählen Sie unter Aufnahme, Kanäle **2 (Stereo)**.
- Kreuzen Sie das Feld **Play other tracks while recording new one** (Andere Titel während der Aufnahme des neuen Titels abspielen) an.
- Kreuzen Sie das Feld **Software-Playthrough** an.



Alben mit Audacity aufnehmen

5. Projekte speichern

- Audacity speichert alle geänderten und aufgenommen Audioinhalte in einem Verzeichnis mit dem Namen **Projectname_data**. Dieses Verzeichnis befindet sich genau dort, wo das Projekt selbst gespeichert ist.
- Wählen Sie also unter Audacity-Datei die Option **Save Project as** (Projekt speichern unter) und wählen Sie dann einen Speicherort und einen Dateinamen für Ihr Projekt aus.
- Wenn Sie Audacity neu starten, ist nur die Option „**Save As...**“ (Speichern unter) verfügbar.



6. Aufnahme

- Bereiten Sie Ihren USB-Plattenspieler für die Wiedergabe des gewünschten Titels bzw. des gewünschten Albums vor.

- Drücken Sie die rote Aufnahme-taste,



um die Aufnahme zu starten.

- Senken Sie den Tonarm des USB-Plattenspielers an der Stelle des gewünschten Albums bzw. Titels ab.

- Drücken Sie die blaue Pause-Taste



um die Aufnahme zu unterbrechen. Drücken Sie die Taste erneut, um die Aufnahme fortzusetzen.

- Drücken Sie auf die gelbe Stopp-Taste.



Und fertig Sie können nun Ihre Aufzeichnung abspielen und die vielseitigen Bearbeitungsmöglichkeiten von Audacity entdecken. Beachten Sie, dass Sie die Widerruf-Funktion fast ohne Einschränkung verwenden können, während das Projekt geöffnet ist.

HINWEIS: CDs lassen sich nicht direkt mit der Audacity Software brennen. Verwenden Sie dafür andere CD-Brennerprogramme.

1. Garantie

Lenco bietet Leistungen und Garantien im Einklang mit Europäischem Recht. Im Falle von Reparaturen (sowohl während als auch nach Ablauf der Garantiezeit) sollten Sie deshalb Ihren Einzelhändler kontaktieren.

Wichtiger Hinweis: Es ist nicht möglich, Geräte für Reparaturen direkt an Lenco zu schicken.

Wichtiger Hinweis: Falls dieses Gerät von einem nicht autorisierten Kundendienst geöffnet oder darauf zugegriffen wird, erlischt die Garantie.

Dieses Gerät ist nicht für professionelle Zwecke geeignet. Falls das Gerät für professionelle Zwecke eingesetzt wird, erlöschen alle Garantieverpflichtungen seitens des Herstellers.

2. Haftungsausschluss

Aktualisierungen der Firmware und/oder Hardware-Komponenten werden regelmäßig durchgeführt. Daher können einige der Anweisungen, Spezifikationen und Abbildungen in dieser Dokumentation von Ihrer individuellen Situation abweichen. Alle in diesem Handbuch beschriebenen Elemente dienen nur zur Illustration und treffen auf Ihre individuelle Situation möglicherweise nicht zu. Aus der in diesem Handbuch getätigten Beschreibung können keine Rechtsansprüche oder Ansprüche geltend gemacht werden.

3. Entsorgung des Altgeräts



Dieses Symbol zeigt an, dass das entsprechende Produkt oder dessen Batterie in Europa nicht mit dem normalen Hausmüll entsorgt werden darf. Um die ordnungsgemäße Abfallbehandlung des Produkts und dessen Batterie zu gewährleisten, müssen diese im Einklang mit allen anwendbaren örtlichen Vorschriften zur Entsorgung von Elektrogeräten und Batterien entsorgt werden. Dabei helfen Sie, natürliche Ressourcen zu schonen und Umweltschutzstandards zur Verwertung und Entsorgung von Altgeräten aufrecht zu halten (Waste Electrical and Electronic Equipment Directive).

4. CE-Kennzeichen

Hiermit erklärt Lenco Benelux B.V., Thermiekstraat 1a, 6361 HB Nuth, The Netherlands, dass dieses Produkt den grundsätzlichen Anforderungen der EU-Richtlinie entspricht. Die Konformitätserklärung ist erhältlich unter techdoc@commaxxgroup.com



5. Service

Weitere Informationen und Unterstützung erhalten Sie unter www.lenco.com Lenco Benelux BV, Thermiekstraat 1a, 6361 HB, Die Niederlande.

ATTENTION :

L'utilisation de commandes ou d'ajustements ou l'exécution de procédures autres que celles spécifiées dans le présent document peuvent entraîner une exposition dangereuse aux radiations.

PRÉCAUTIONS AVANT UTILISATION

GARDEZ CES INSTRUCTIONS À L'ESPRIT :

1. Ne couvrez pas et n'obturez pas les ouvertures de ventilation. Lorsque vous placez l'appareil sur une étagère, laissez 5 cm (2") d'espace libre tout autour de l'appareil.
2. Installez-le conformément au mode d'emploi fourni.
3. Gardez l'appareil à l'écart des sources de chaleur telles que des radiateurs, appareils de chauffage, fours, bougies et autres produits générant de la chaleur ou une flamme nue. L'appareil ne peut être utilisé que dans des climats modérés. Les environnements extrêmement froids ou chauds doivent être évités. La plage de température de fonctionnement se situe entre 0° et 35° C.
4. Évitez d'utiliser l'appareil à proximité de champs magnétiques puissants.
5. Des décharges électrostatiques peuvent perturber le fonctionnement de cet appareil. Dans ce cas, il suffit de réinitialiser et de redémarrer l'appareil en suivant le mode d'emploi. Pendant le transfert de fichiers, manipulez l'appareil avec précaution et faites-le fonctionner dans un environnement sans électricité statique.
6. Mise en garde ! N'introduisez jamais un objet dans l'appareil par les ouvertures et les fentes de ventilation. Étant donné que des tensions élevées sont présentes à l'intérieur du produit, l'insertion d'un objet peut entraîner une électrocution et/ou court-circuiter les composants internes. Pour les mêmes raisons, ne versez pas de l'eau ou un liquide sur le produit.
7. Ne l'utilisez pas dans des endroits humides tels qu'une salle de bain, une cuisine pleine de vapeur ou à proximité d'une piscine.
8. L'appareil ne doit pas être exposé à des écoulements ou des éclaboussures et aucun objet contenant un liquide, tel qu'un vase, ne doit être posé sur ou près de l'appareil.
9. N'utilisez pas cet appareil lorsque de la condensation est possible. Lorsque l'appareil est utilisé dans une pièce humide et chaude, des gouttelettes d'eau ou de la condensation peuvent se former à l'intérieur de l'appareil et affecter son fonctionnement. Laissez l'appareil hors tension pendant 1 ou 2 heures avant de le mettre en marche : l'appareil doit être sec avant sa mise sous tension.
10. Bien que ce dispositif soit fabriqué avec le plus grand soin et contrôlé à plusieurs reprises avant de quitter l'usine, des problèmes peuvent néanmoins survenir, comme avec tous les appareils électriques. Si l'appareil émet de la fumée ou en cas d'accumulation excessive de la chaleur ou d'un phénomène inattendu, débranchez immédiatement la fiche d'alimentation du secteur.
11. Cet appareil doit fonctionner avec la source d'alimentation indiquée sur la plaque signalétique. Si vous n'êtes pas sûr du type d'alimentation utilisé chez vous, contactez votre revendeur ou le fournisseur local d'électricité.
12. Tenez l'appareil à l'abri des animaux. Certains animaux aiment ronger les cordons électriques.
13. Pour nettoyer l'appareil, servez-vous d'un chiffon doux et sec. N'utilisez pas de solvant ni d'autre liquide à base de pétrole. Pour enlever les taches importantes, vous pouvez vous servir d'un chiffon humide imbibé d'une solution de détergent diluée.
14. Le fournisseur n'est pas responsable des dommages ou pertes de données causés par un

- dysfonctionnement, une utilisation abusive, une modification de l'appareil ou un remplacement de la batterie.
15. N'interrompez pas la connexion lorsque l'appareil formate ou transfère des fichiers. Dans le cas contraire, les données pourraient être endommagées ou perdues.
 16. Si l'appareil a une fonction de lecture USB, il faut brancher la clé USB directement sur l'appareil. N'utilisez pas un câble d'extension USB, car cela peut causer des interférences entraînant des pertes de données.
 17. L'étiquette de classification se trouve sur le panneau inférieur ou arrière de l'appareil.
 18. Cet appareil ne doit pas être utilisé par des personnes (y compris les enfants) souffrant de déficiences physiques, sensorielles ou mentales, ou d'un manque d'expérience et de connaissances, à moins qu'elles n'aient été supervisées ou qu'une personne responsable de leur sécurité ne leur ait donné des instructions sur l'utilisation correcte de l'appareil.
 19. Ce produit est réservé à un usage non professionnel, et non pas à un usage commercial ni industriel.
 20. Vérifiez que l'appareil est en position stable. La garantie ne couvre pas les dégâts occasionnés par l'utilisation de cet appareil en position instable, par les vibrations, les chocs ou par la non-observation de tout autre avertissement ou précaution contenus dans ce mode d'emploi.
 21. N'ouvrez jamais cet appareil.
 22. Ne placez jamais cet appareil sur un autre appareil électrique.
 23. Ne laissez pas les sacs en plastique à la portée des enfants.
 24. Utilisez uniquement les accessoires recommandés par le fabricant.
 25. Confiez l'entretien et les réparations à un personnel qualifié. Une réparation est nécessaire lorsque l'appareil a été endommagé de quelque façon que ce soit, par exemple lorsque le cordon d'alimentation ou la prise sont endommagés, lorsqu'un liquide s'est déversé ou des objets sont tombés sur l'appareil, lorsque l'appareil a été exposé à la pluie ou à l'humidité, lorsqu'il ne fonctionne pas correctement ou est tombé.
 26. Une exposition prolongée à la musique avec un volume élevé peut entraîner une perte auditive temporaire ou permanente.
 27. Si l'appareil est livré avec un câble d'alimentation ou un adaptateur secteur :
 - En cas de problème, débranchez le cordon d'alimentation CA et confiez l'entretien à un personnel qualifié.
 - Ne marchez pas sur l'adaptateur secteur ou ne le coincez pas. Faites très attention, en particulier à proximité des fiches et du point de sortie du câble. Ne placez pas d'objets lourds sur l'adaptateur secteur, car ils pourraient l'endommager. Gardez l'appareil hors de portée des enfants ! Ils pourraient se blesser gravement s'ils jouent avec le câble d'alimentation.
 - Débranchez cet appareil pendant les orages ou lorsqu'il n'est pas utilisé pendant une longue durée.
 - La prise secteur doit être installée près de l'appareil et doit être facilement accessible.
 - Ne surchargez pas les prises de courant ou les rallonges. Une surcharge peut entraîner un incendie ou une électrocution.
 - Les appareils de classe 1 doivent être branchés à une prise de courant disposant d'une connexion protectrice à la terre.
 - Les appareils à la norme de construction de classe 2 ne nécessitent pas de connexion à la terre.
 - Tirez toujours sur la fiche pour débrancher le cordon de la prise secteur. Ne tirez pas sur le cordon d'alimentation. Cela pourrait provoquer un court-circuit.

- N'utilisez pas un cordon ou une fiche d'alimentation endommagé ni une prise desserrée. Vous courez un risque d'incendie ou de décharge électrique.
28. Si le produit contient ou est livré avec une télécommande contenant des piles boutons :
- Avertissement :
- « N'ingérez pas la pile, car vous risquez une brûlure chimique » ou une formule équivalente.
 - La télécommande fournie contient une pile bouton/pièce de monnaie. Si la pile est avalée, elle peut causer de graves brûlures internes en seulement 2 heures et peut entraîner la mort.
 - Tenez les piles neuves et usagées hors de portée des enfants.
 - Si le compartiment à piles ne se ferme pas correctement, cessez d'utiliser l'appareil et tenez-le hors de portée des enfants.
 - Si vous pensez que les piles ont été avalées ou placées à l'intérieur d'une partie du corps, consultez un médecin immédiatement.
29. Mise en garde relative à l'utilisation des piles :
- Risque d'explosion si la pile est mal remplacée. Remplacez les piles par des piles d'un type identique ou équivalent.
 - Pendant l'utilisation, le stockage ou le transport, la pile ne doit pas être soumise à des températures extrêmement élevées ou basses, à une faible pression d'air à haute altitude.
 - Le remplacement d'une pile par une autre de type incorrect peut entraîner une explosion ou une fuite de liquide ou de gaz inflammable.
 - L'introduction d'une pile dans le feu ou dans un four chaud, l'écrasement ou le découpage mécanique peut entraîner une explosion.
 - L'exposition d'une pile dans un environnement à température extrêmement élevée peut entraîner une explosion ou une fuite de liquide ou de gaz inflammable.
 - L'exposition d'une pile à une pression d'air extrêmement basse peut entraîner une explosion ou une fuite de liquide ou de gaz inflammable.
 - Veuillez considérer les questions environnementales lors de la mise au rebut des piles.

INSTALLATION

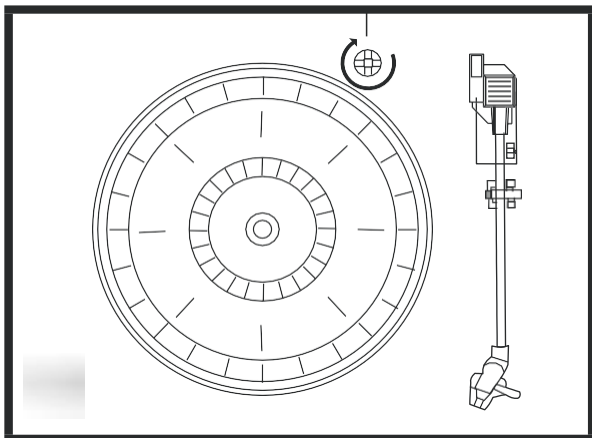
- Déballez toutes les pièces et enlevez le matériau de protection.
- Ne connectez pas l'unité au secteur avant d'avoir vérifié la tension du secteur et avant que toutes les autres connexions n'aient été effectuées.

PRÉPARATION AVANT UTILISATION DÉBALLAGE ET INSTALLATION

- Sortez soigneusement l'appareil du carton et enlevez tous les emballages.
- Déroulez entièrement le cordon d'alimentation CA.
- Posez l'appareil sur une surface plane et stable, à proximité d'une prise CA. L'appareil ne doit pas se trouver à proximité d'une source de chaleur et ne doit pas être exposé au soleil, à la poussière, à l'humidité ou à la condensation. Il ne doit pas non plus être exposé à de forts champs magnétiques.
- Branchez la fiche d'alimentation sur une prise électrique CA.

- Levez le couvercle pour exposer le phonographe. Le phonographe a été sécurisé pour le transport avec une vis de transport.
- Utilisez une pièce de monnaie ou un tournevis pour tourner la vis de transport dans le sens des aiguilles d'une montre. Ceci fera « flotter » le tourne-disque.

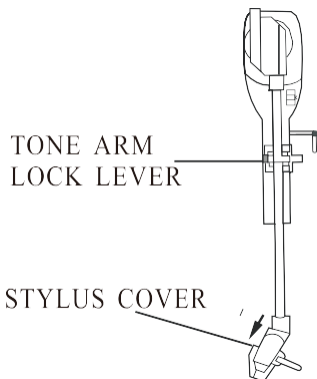
VIS DE TRANSPORT



- Enlevez la protection de la pointe de lecture en plastique blanc opaque qui est sur la pointe de lecture du phonographe en la glissant dans le sens de la flèche.

Jetez la protection de la pointe de lecture.

- Enlevez le lien torsadé qui servait à immobiliser le bras de lecture lors du transport.
- Libérez le levier de blocage du bras de lecture.
- Branchez la fiche d'alimentation sur une prise électrique CA.



EN	FR
TONE ARM LOCK LEVER	LEVIER DE BLOCAGE DU BRAS DE LECTURE
STYLUS COVER	PROTECTION DE LA POINTE DE LECTURE

SOURCE D'ALIMENTATION

- Ce système utilise un adaptateur CA.
- Dans ce cas, faites changer votre prise électrique par un électricien diplômé qualifié.
- Pour que l'appareil fonctionne correctement, la fiche d'alimentation et la prise d'alimentation doivent correspondre.

Important : Lever et baisser le couvercle

Pour ouvrir le couvercle, soulevez-le jusqu'à ce que le support du couvercle s'enclenche en position ouverture.

Pour fermer le couvercle, levez-le légèrement pour qu'il se débloque puis baissez-le doucement.

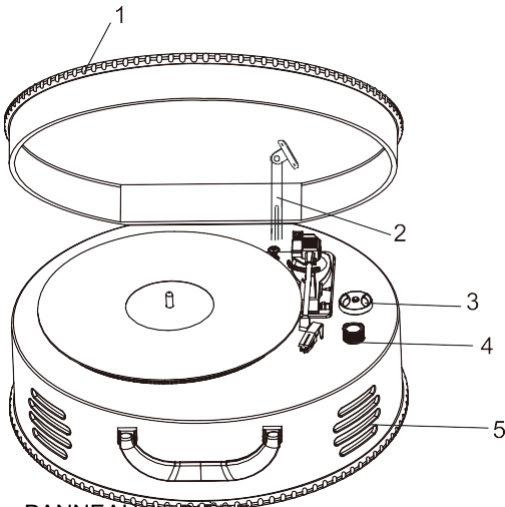
NE FORCEZ JAMAIS LE COUVERCLE CAR VOUS RISQUERIEZ D'ENDOMMAGER LE BOÎTIER OU LE COUVERCLE.

PROTECTION DES MEUBLES

Ce modèle est équipé de pieds antidérapants pour éviter qu'il ne bouge pendant que l'utilisateur effectue les réglages. Ces pieds sont en caoutchouc spécialement formulé pour éviter les traces ou les marques sur vos meubles. Cependant, certains types de cires pour meubles, de produits d'entretien du bois ou d'aérosols dépoussiérants peuvent provoquer une réaction chimique avec les pieds et les rendre plus mous : ceci risque de provoquer des marques ou des résidus de caoutchouc sur vos meubles. Pour éviter d'endommager vos meubles, nous vous recommandons d'acheter des petits feutres adhésifs, disponibles en grandes-surfaces et en droguerie, et de les coller sous les pieds en caoutchouc avant de poser l'appareil sur un meuble en bois fragile.

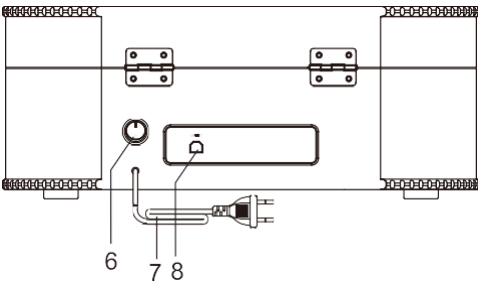
EMPLACEMENT DES BOUTONS ET VOYANTS

FAÇADE



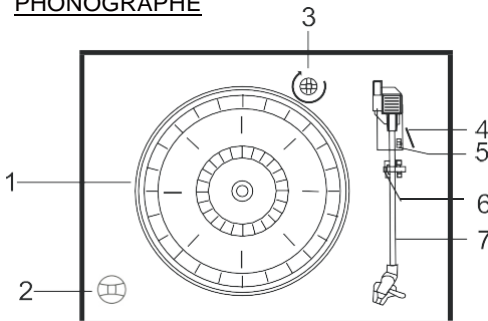
- 1) COUVERCLE DU PHONOGRAPHE
- 2) SUPPORT DU COUVERCLE DU PHONOGRAPHE
- 3) ADAPTATEUR 45 TOURS
- 4) RÉGLAGE DU VOLUME
- 5) ENCEINTES

PANNEAU ARRIERE



- 6) BOUTON MARCHÉ/ARRÊT
- 7) CORDON D' ALIMENTATION SECTEUR
- 8) CONNECTEUR USB

PHONOGRAPHE



- 1) Tourne-disque
- 2) Adaptateur 45 tours
- 3) Vis de transport
- 4) Lève-bras
- 5) Sélecteur de vitesse (33, 45 et 78 tours)
- 6) Blocage du bras de lecture
- 7) Bras de lecture avec pointe de lecture

LECTURE DE DISQUES

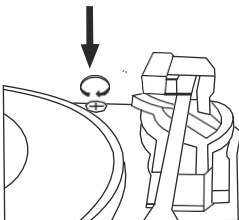
Ce système inclut un tourne-disque entraîné par courroie à 3 vitesses grandeur nature. Il permet de lire des disques 33, 45 et 78 tours.

- 1) Appuyez sur le bouton MARCHE/ARRÊT pour mettre en marche l'appareil.
- 2) Vérifiez que vous avez bien enlevé la protection de la pointe de lecture et avez libéré le bras de lecture qui immobilisait le bras de lecture sur son support.
- 3) Réglez le sélecteur de vitesse du tourne-disque sur la vitesse appropriée : 33, 45 ou 78 tours par minute. Si vous lisez des 45 tours, placez l'adaptateur de 45 tours sur l'axe central.
- 4) Placez votre disque sur l'axe central.
- 5) Levez le lève-bras pour lever le bras de lecture hors de son support. Placez le bras de lecture au bord du disque. Le tourne-disque démarre automatiquement. Utilisez le lève-bras pour baisser délicatement le bras de lecture sur le disque.
- 6) Quand le bras de lecture atteint la fin du disque, il revient automatiquement sur son support et le lecteur de disque s'arrête.
- 7) Pour régler l'appareil sur « Off » (l'éteindre), maintenez enfoncé le bouton MARCHE/ARRÊT pendant 2 secondes.

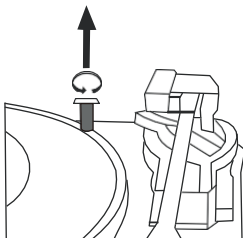
REMARQUE : Ne tournez pas ou n'arrêtez pas le tourne-disque manuellement, car déplacer ou secouer le tourne-disque sans immobiliser la pince du bras de lecture pourrait endommager le bras de lecture.

Important

- POUR PROTÉGER LE TOURNE-DISQUE DES DOMMAGES PENDANT LE TRANSPORT, UNE VIS DE TRANSPORT EN ARGENT SE SITUE EN HAUT À DROITE DE LA PLATEFORME DU TOURNE-DISQUE.
- AVANT DE LIRE, UTILISEZ UN TOURNEVIS POUR TOURNER LA VIS DE TRANSPORT DANS LE SENS DES AIGUILLES D'UNE MONTRE (VIS QUI DESCEND) COMPLÈTEMENT POUR DÉBLOQUER LE TOURNE-DISQUE.



- POUR RE-BLOQUER LE TOURNE-DISQUE POUR LE TRANSPORT, TOURNEZ LA VIS DANS LE SENS INVERSE DES AIGUILLES D'UNE MONTRE.



VUE D'ENSEMBLE DU LOGICIEL AUDACITY

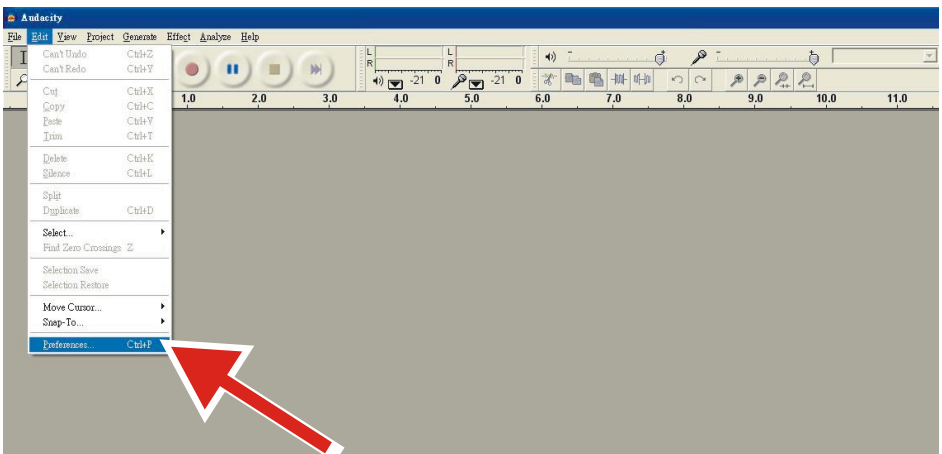
Audacity est un logiciel gratuit, licencié sous GNU Licence Publique Générale (GPL). Plus d'informations, de même que le code de source ouverte peuvent être trouvés sur le Web à

<https://www.audacityteam.org/download/>

* **Veillez vous assurer que vous avez installé le logiciel avant de commencer.**

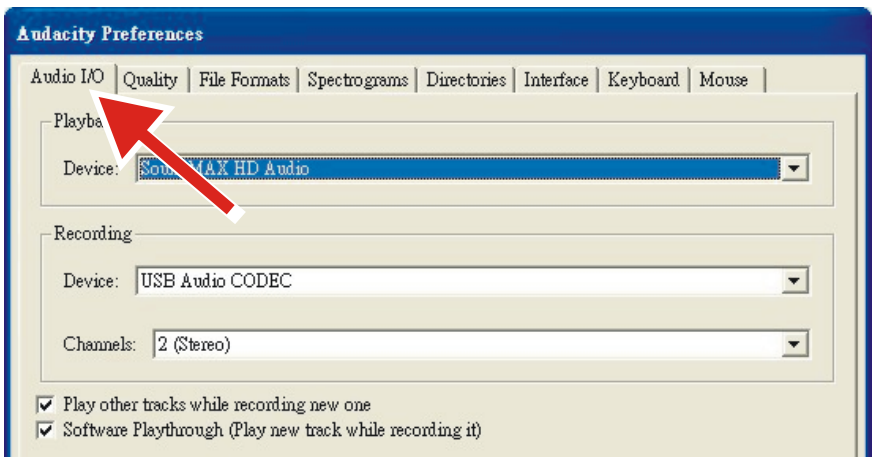
Paramétrer votre PC avant de travailler avec Audacity

19. Connecter une source d'entrée à l'unité.
20. Connecter la fiche USB sur votre ordinateur.
21. Installer le logiciel d'enregistrement Audacity.
22. Ouvrir le programme Audacity.
23. Sélectionner Preference (Préférence) sur Edit (Modifier) dans le Menu Audacity.



24. Sélectionner **Audio I/O** (M/A audio) en haut à gauche.

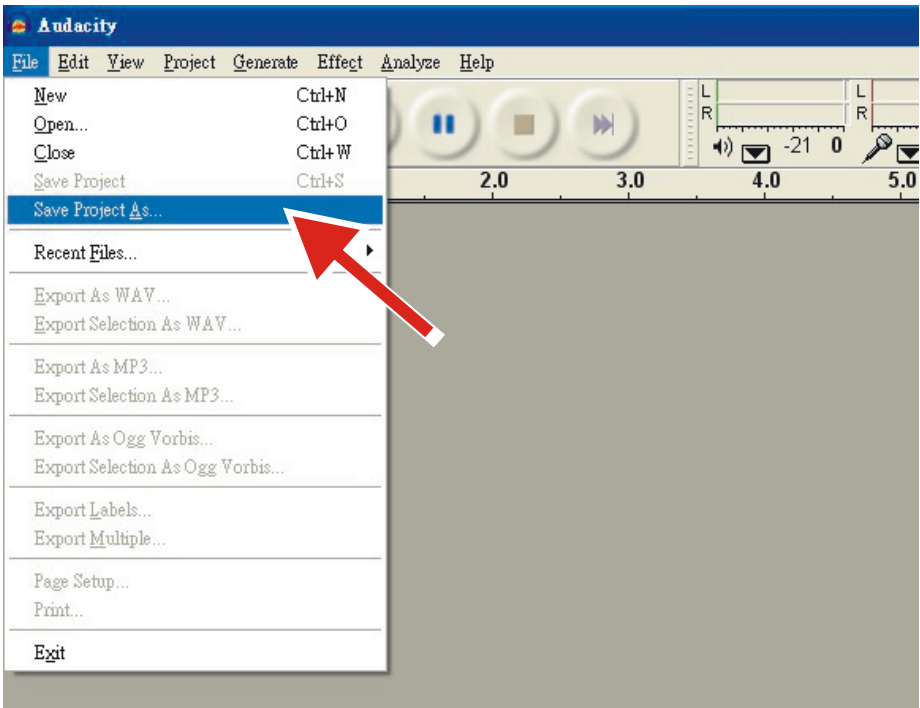
- Sous Lecture, Appareil, sélectionner **votre internal sound card**.
- Sous Enregistrement, Appareil, sélectionner **USB Audio CODEC** (CODEC audio USB).
- Sous Enregistrement, Canaux, sélectionner **2 (Stereo)** (2 (stéréo)).
- Vérifier la case marquée **Play other tracks while recording new one** (Jouer d'autres morceaux pendant l'enregistrement d'un nouveau).
- Vérifier la case marquée **Software Playthrough** (Jouer dans le logiciel).



Enregistrement d'album avec Audacity

7. Sauvegarde d'un projet

- Audacity inscrit tous les audios changés et enregistrés sur un répertoire appelé **Projectname_data**, situé à droite d'où vous avez sauvegardé le fichier de projet lui-même.
- Puis, sélectionner **Save Project as** (Sauvegarder le projet sous) sur le Fichier Audacity, et choisir un endroit et un nom de fichier pour votre projet.
- veuillez noter que lorsque vous démarrez Audacity pour la première fois, seule l'option "**Save As...**" (Sauvegarder sous...) est disponible.



8. Comment enregistrer

- Mettre le tourne-disque en état de jouer un morceau ou un album que vous voulez enregistrer.

- Cliquer sur la touche Enregistrement



pour commencer à enregistrer.

- Abaisser le bras sur l'album posé sur le tourne-disque USB et chercher ce que vous désirez enregistrer.

- Cliquer sur la touche bleue de Pause



pour interrompre l'enregistrement. Réappuyer dessus p

- Cliquer sur la touche jaune Arrêt.



Voilà. Vous pouvez maintenant vous amuser avec votre enregistreur et explorer les capacités d'Audacity. Rappelez-vous que vous pouvez utiliser la fonction Undo pratiquement sans limite quand le projet est ouvert.

REMARQUE : Le CD ne peut pas être imprimé directement depuis l'application Audacity. D'autres applications d'impression de CD doivent être utilisées.

1. Garantie

Lenco propose un entretien et une garantie conformément à la législation européenne, ce qui signifie qu'en cas de besoin de réparation (aussi bien pendant et après la période de garantie), vous pouvez contacter votre revendeur le plus proche.

Remarque importante : Il n'est pas possible de renvoyer l'appareil pour réparation directement à Lenco.

Remarque importante : Si l'unité est ouverte ou modifiée de quelque manière que ce soit par un réparateur non agréé, la garantie serait caduque.

Cet appareil ne convient pas à une utilisation professionnelle. En cas d'utilisation professionnelle, les obligations de garantie du fabricant seront annulées.

2. Clause de non responsabilité

Des mises à jour du logiciel et/ou des composants informatiques sont régulièrement effectuées. Il se peut donc que certaines instructions, caractéristiques et images présentes dans ce document diffèrent légèrement de votre configuration spécifique. Tous les articles décrits dans ce guide le sont fournis uniquement à des fins d'illustration et peuvent ne pas s'appliquer à une configuration spécifique. Aucun droit légal ne peut être obtenu depuis les informations contenues dans ce manuel.

3. Mise au rebut de l'appareil usagé



Ce symbole indique que l'équipement électrique concerné ou la batterie ne doivent pas être jetés parmi les autres déchets ménagers en Europe. Afin de garantir un traitement approprié de la batterie ou de l'appareil usagés, veuillez les mettre au rebut conformément à la réglementation locale en vigueur relative aux équipements électriques et autres batteries. En agissant de la sorte, vous contribuerez à la préservation des ressources naturelles et à l'amélioration des niveaux de protection environnementale concernant le traitement et la destruction des déchets électriques (Directive sur les déchets des équipements électriques et électroniques).

4. Marquage CE

Par la présente, Lenco Benelux B.V., Thermiekstraat 1a, 6361 HB Nuth, Pays-Bas, déclare que ce produit est conforme aux exigences principales des directives européennes. La déclaration de conformité peut être consultée au lien : techdoc@commaxxgroup.com



5. Service

Pour en savoir plus et obtenir de l'assistance, visitez

www.lenco.com Lenco Benelux BV, Thermiekstraat 1a, 6361

HB, The Netherlands.

PRECAUCIÓN:

El uso de controles o ajustes o rendimiento de procedimientos excepto aquellos que los aquí especificados puede provocar una exposición peligrosa a la radiación.

PRECAUCIONES PREVIAS AL USO

TENGA ESTAS INSTRUCCIONES EN MENTE:

1. No cubra o bloquee ninguna apertura de ventilación. Cuando coloque el dispositivo en una estantería, deje 5 cm (2") de espacio libre alrededor de todo el dispositivo.
2. Instálelo conforme al manual de usuario que se adjunta.
3. Mantenga el aparato alejado de fuentes de calor, como radiadores, calentadores, estufas, velas u otros productos que generen calor o llama viva. El aparato solo puede usarse en climas moderados. Se deben evitar los ambientes extremadamente fríos o cálidos. La gama de temperatura de funcionamiento es de entre 0° y 35°C.
4. Evite usar el dispositivo cerca de campos magnéticos fuertes.
5. Una descarga electrostática puede entorpecer el uso normal de este dispositivo. En tal caso, simplemente reinicielo siguiendo el manual de instrucciones. Durante la transmisión de archivos, por favor manéjelo con cuidado opérelo en un entorno libre de electricidad estática.
6. ¡Advertencia! Nunca inserte un objeto en el producto a través de las ventilaciones o aperturas. Alto voltaje fluye a través del producto e insertar un objeto puede provocar una descarga eléctrica y/o un cortocircuito de sus componentes internos. Por el mismo motivo, no derrame agua o líquidos en el producto.
7. No lo utilice en zonas húmedas, como cuartos de baño, cocinas en las que se forme vapor ni cerca de piscinas.
8. El aparato no debe exponerse a goteos o salpicaduras y asegúrese de que se colocan sobre o cerca del aparato objetos llenos de líquidos, como jarrones.
9. No use este dispositivo cuando se pueda producir condensación. Cuando la unidad se usa en una sala húmeda cálida, se pueden formar gotitas de agua o condensación en el interior de la unidad y esta puede no funcionar adecuadamente; deje que la unidad se apague durante 1 o 2 horas antes de volver a encender la unidad: el aparato debe estar seco antes de conectarse a una fuente de alimentación.
10. Aunque este dispositivo está fabricado con el máximo cuidado y comprobado varias veces antes de salir de fábrica, todavía es posible que se puedan producir problemas, al igual que con todos los aparatos eléctricos. Si observa la aparición de humo, una acumulación excesiva de calor o cualquier otro fenómeno inesperado, deberá desconectar inmediatamente el enchufe de la toma de corriente.
11. Este dispositivo debe funcionar con una fuente de alimentación que se especifica en la etiqueta de especificaciones. Si no está seguro del tipo de alimentación que se usa en su hogar, consulte con el distribuidor o una compañía eléctrica local.
12. Manténgalo alejado de los animales. A algunos animales les encanta morder los cables de alimentación.
13. Para limpiar el dispositivo use un paño seco y suave. No utilice líquidos disolventes ni con base de petróleo. Para eliminar manchas difíciles, puede usar un paño húmedo con detergente diluido.
14. El proveedor no asume ninguna responsabilidad por daños o datos perdidos provocados por un funcionamiento incorrecto, uso incorrecto, modificación del dispositivo o sustitución de la batería.
15. No interrumpa la conexión cuando el dispositivo esté formateando o transfiriendo archivos. En caso contrario, los datos se pueden estropear o perder.

16. Si la unidad dispone de función de reproducción USB, se debe conectar la memoria USB directamente en la unidad. No utilice un cable de extensión USB ya que pueden crear interferencias que causen una pérdida de datos.
17. La etiqueta calificativa se encuentra en la parte inferior o en el panel posterior del aparato.
18. Este dispositivo no está diseñado para su uso por parte de personas (incluyendo niños) con discapacidad física, sensorial o mental o con falta de experiencia o conocimientos, salvo que se les haya dado supervisión o instrucciones acerca del uso correcto del dispositivo por parte de una persona responsable de su seguridad.
19. Este producto está diseñado para un uso no profesional únicamente y no para un uso comercial o industrial.
20. Asegúrese de que la unidad esté fijada en una posición estable. La garantía no cubrirá los daños derivados de usar este producto en una posición inestable, vibraciones o golpes o por no seguir otras advertencias o precauciones que aparecen en este manual de usuario.
21. Nunca retire la carcasa del dispositivo.
22. Nunca coloque este dispositivo sobre otro equipo eléctrico.
23. Mantenga las bolsas de plástico fuera del alcance de los niños.
24. Use únicamente los dispositivos/accesorios especificados por el fabricante.
25. Remita todas las reparaciones al personal cualificado. Es necesario el mantenimiento cuando el aparato presenta cualquier tipo de daño, por ejemplo, el cable de alimentación o el enchufe presentan daños; se ha vertido líquido sobre el aparato; se han caído objetos en el aparato; el aparato se ha expuesto a la lluvia o humedad; el aparato no funciona normalmente o se ha caído.
26. Una larga exposición a sonidos elevados de reproductores de música personales puede provocar una pérdida de audición temporal o permanente.
27. Si el producto viene con un cable de alimentación o un adaptador de corriente de CA:
 - Si se produce cualquier problema, desconecte el cable de alimentación CA y remítalo a mantenimiento por parte de personal cualificado.
 - No pise o pince el adaptador de alimentación. Tenga mucho cuidado, en especial en las zonas alrededor de las tomas y el punto de salida del cable. No coloque objetos pesados en el adaptador de alimentación, ya que pueden dañarlo. ¡Mantenga el dispositivo fuera del alcance de los niños! Si juegan con el cable de alimentación, puede sufrir lesiones graves.
 - Desconecte el dispositivo durante tormentas eléctricas o cuando no vaya a usarse durante periodos prolongados de tiempo.
 - La salida de la toma debe instalarse cerca del equipo y debe ser fácilmente accesible.
 - No sobrecargue las tomas CA o los cables de extensión. La sobrecarga puede provocar un incendio o una descarga eléctrica.
 - Los dispositivos con construcción de Clase 1 deben estar conectados a una toma de corriente con una conexión a tierra protegida.
 - Los dispositivos con construcción de Clase 2 no requieren una conexión a tierra.
 - Sujete siempre el enchufe cuando los extraiga de la toma de corriente. No tire del cable de alimentación. Esto puede provocar un cortocircuito.
 - No utilice un cable de alimentación o enchufe deteriorado o una toma suelta. Si lo hace, podría provocar un incendio o una descarga eléctrica.
28. Si el producto contiene o se entrega con un mando a distancia que contiene pilas de botón / celdas:
Advertencia:
 - “Ni ingiera la pila, riesgo de quemadura química” o frase equivalente.

- [El mando a distancia que se suministra] Este producto contiene una pila de tipo botón/moneda. Si la pila se traga, puede provocar graves quemaduras internas en sólo 2 horas y podría ocasionar la muerte.
- Mantenga las pilas nuevas o usadas fuera del alcance de los niños.
- Si el compartimiento de las pilas no se cierra correctamente, deje de usar el producto y no lo deje al alcance los niños.
- Si tiene la sospecha de que una pila ha sido ingerida o se encuentra en algún lugar del cuerpo, busque inmediatamente atención médica.

29. Precaución sobre el uso de las pilas:

- Existe riesgo de explosión si la pila no se sustituye correctamente. Sustitúyala únicamente con otra del mismo tipo u otro equivalente.
- No se pueden exponer las pilas a temperaturas extremadamente altas o bajas, baja presión de aire a gran altitud durante el uso, almacenamiento o transporte.
- Si cambia la pila por otra que no sea la correcta, se puede producir una explosión o la fuga de líquidos o gases inflamables.
- Si arroja la pila al fuego o a un horno caliente, o aplasta o corta mecánicamente una pila, podría provocar una explosión.
- Si deja una pila en un lugar con temperaturas extremadamente altas, se puede producir una explosión o una fuga de líquido o gas inflamable.
- Si se expone la pila a una presión de aire extremadamente baja, se puede producir una explosión o la fuga de líquidos o gases inflamables.
- Se debe prestar atención a los aspectos medioambientales sobre la eliminación de baterías.

INSTALACIÓN

- Desembale todas las piezas y retire el material protector.
- No conecte la unidad a la corriente eléctrica antes de comprobar la tensión de la corriente y antes de que se hayan hecho todas las demás conexiones.

- Una pila sometida a una presión del aire extremadamente baja puede provocar una explosión o la fuga de líquido o gas inflamable.
- Se debe prestar atención a los aspectos medioambientales sobre la eliminación de baterías.

INSTALACIÓN

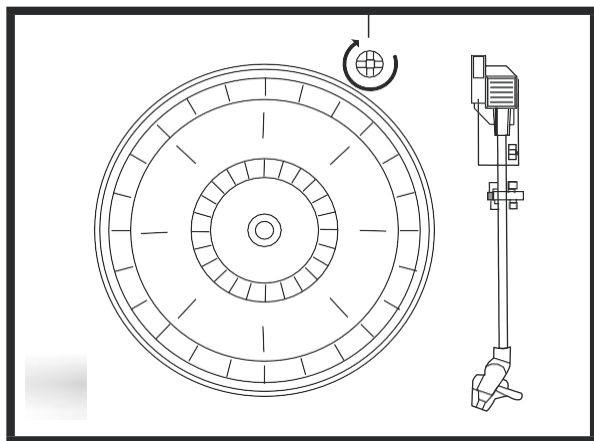
- Desembale todas las piezas y retire el material protector.
- No conecte la unidad a la corriente eléctrica antes de comprobar la tensión de la corriente y antes de que se hayan hecho todas las demás conexiones.

PREPARACIÓN PARA EL USO

DESEMBALAJE Y CONFIGURACIÓN

- Retire con cuidado la unidad del cartón de muestra y retire todo el material de embalaje de la unidad.
- Desenrolle la toma de alimentación CA y extiéndala hasta alcanzar su longitud máxima.
- Coloque la unidad sobre una superficie estable y nivelada, cerca de una toma CA. Alejada de la luz solar directa, así como de un calor, polvo, humedad excesivas o campos magnéticos fuertes.
- Conecte el enchufe a la toma CA.
- Suba la tapa para mostrar el fonógrafo. El fonógrafo ha sido asegurado para su transporte mediante un tornillo para el transporte.
- Use una moneda o un destornillador para girar el tornillo de transporte en dirección horaria. Esto permitirá que el tocadiscos “flote”.

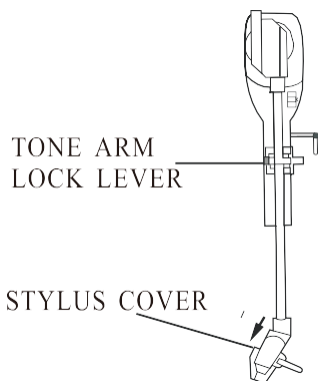
TORNILLO DE VIAJE



- Retire la pata de la aguja blanca opaca de la aguja del fonógrafo deslizándola en la dirección de la flecha.

Elimine la cubierta de la aguja.

- Retire la atadura de alambre que se ha empleado para asegurar el brazo del tocadiscos durante el envío.
- Suelte la palanca de bloqueo del brazo del tocadiscos.
- Conecte el enchufe a la toma CA.



EN	ES
TONE ARM LOCK LEVER	PALANCA DE BLOQUEO DEL BRAZO DEL TOCADISCOS
STYLUS COVER	CUBIERTA DE AL AGUJA

FUENTE DE ALIMENTACIÓN

- Este sistema usa un adaptador CA.
- Debe hacer que un electricista cualificado le cambie la toma de salida.
- Para hacer que esta operación funcione correctamente, el enchufe de alimentación y la toma de alimentación deben corresponderse adecuadamente.

IMPORTANTE: Subir y bajar la tapa

Para abrir la tapa, súbala hasta que la abrazadera de apoyo de la tapa "se bloquee" en la posición abierta.

Para cerrar la tapa, levántela hacia arriba ligeramente hasta que la abrazadera de apoyo de la tapa "se desbloquee", y después suavemente baje la tapa.

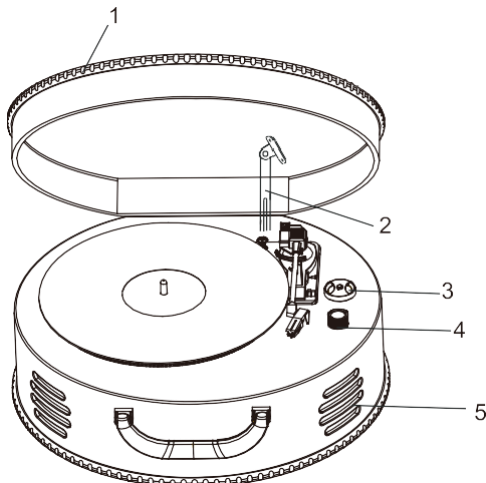
PARA EVITAR DAÑOS A LA CAJA O LA TAPA, NUNCA FUERCE LA TAPA

PROTEJA SU MOBILIARIO

Este modelo está equipado "pies" de goma "antideslizantes" para evitar que el producto se mueva cuando opere los controles. Estos "pies" están fabricados en material de goma antidesplazamiento formulado especialmente para evitar dejar marcas o manchas en el mobiliario. Sin embargo, cierto tipo de ceras para muebles basadas en aceite, conservantes de la madera o sprays de limpieza pueden provocar que los "pies" de goma se suavicen y dejen marcas o residuos de goma en el mobiliario. Para evitar cualquier daño al mobiliario recomendamos encarecidamente que adquiera unas almohadillas de fieltro autoadhesivas disponibles en ferreterías y centros de bricolaje del hogar y aplique estas almohadillas en la parte inferior de los "pies" de goma antes de colocar el producto sobre muebles de madera.

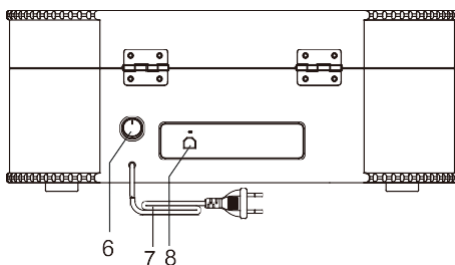
UBICACIÓN DE LOS CONTROLES E INDICADORES

PANEL FRONTAL



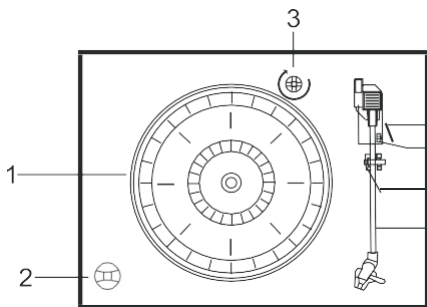
- 1) TAPA DEL FONÓGRAFO
- 2) ABRAZADERA DE APOYO DE LA TAPA DEL FONÓGRAFO
- 3) ADAPTADOR DE 45RPM
- 4) CONTROL DE VOLUMEN
- 5) ALTAVOCES

PANEL POSTERIOR



- 6) BOTÓN DE ENCENDIDO/APAGADO
- 7) CABLE DE ALIMENTACIÓN DE CA
- 8) PUERTO USB

FONÓGRAFO



- 1) Tocabdiscos
- 2) Adaptador de 45RMP
- 3) Tornillo de transporte
- 4) Palanca de señales
- 5) Selector de velocidad (33 & 45 y 78RPM)
- 6) Bloqueo del brazo del tocadiscos
- 7) Brazo del tocadiscos con aguja

REPRODUCIR DISCOS

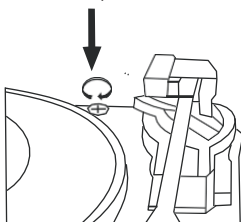
Este sistema incluye un tocadiscos propulsado por correa de 3 velocidades de gran tamaño. Puede reproducir discos de 33, 45, y 78RPM.

- 1) Pulse el botón de ENCENDIDO para encender la unidad.
- 2) Asegúrese de que ha retirado la tapa de la aguja de la misma y ha soltado el bloqueo del brazo del tocadiscos que asegura el brazo al punto de descanso del mismo.
- 3) Fije el selector de velocidad del tocadiscos a la velocidad adecuada, 33, 45, o 78RPM. Si está reproduciendo singles de 45RPM, coloque el adaptador de 45RPM en el eje central.
- 4) Coloque el disco en el eje central.
- 5) Levante la palanca de SONIDO para levantar el brazo de su soporte. Mueva el brazo hasta el borde del disco. El tocadiscos empieza a girar de forma automática. Use la palanca de SONIDO para bajar suavemente el brazo sobre el disco.
- 6) Cuando el brazo llegue el final del disco, vuelve de forma automática al soporte del brazo y se detiene la reproducción del disco.
- 7) Para apagar el sistema "Off (Apagado)", mantenga pulsado el botón de ENCENDIDO durante 2 segundos.

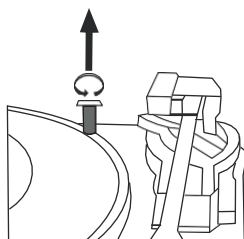
NOTA: No gire o detenga el tocadiscos de forma manual; mover o golpear el tocadiscos son asegurar la abrazadera del brazo puede provocar daños al brazo.

IMPORTANTE

- PARA PROTEGER EL TOCADISCOS FRENTE A DAÑOS DURANTE EL TRANSPORTE, SE ENCUENTRA SITUADO UN TORNILLO DE TRANSPORTE PLATEADO EN LA ESQUINA SUPERIOR DERECHA DE LA PLATAFORMA DEL TOCADISCOS.
- ANTES DE REPRODUCIRLO, POR FAVOR, USE UN DESTORNILLADOR PARA GIRAR EL TORNILLO DE TRANSPORTE EN SENTIDO HORARIO (EL TORNILLO BAJA) COMPLETAMENTE PARA DESBLOQUEAR EL TOCADISCOS.



- PARA VOLVER A BLOQUEAR EL TOCADISCOS PARA SU TRANSPORTE, POR FAVOR, GIRE EL TORNILLO EN SENTIDO ANTIHORARIO.



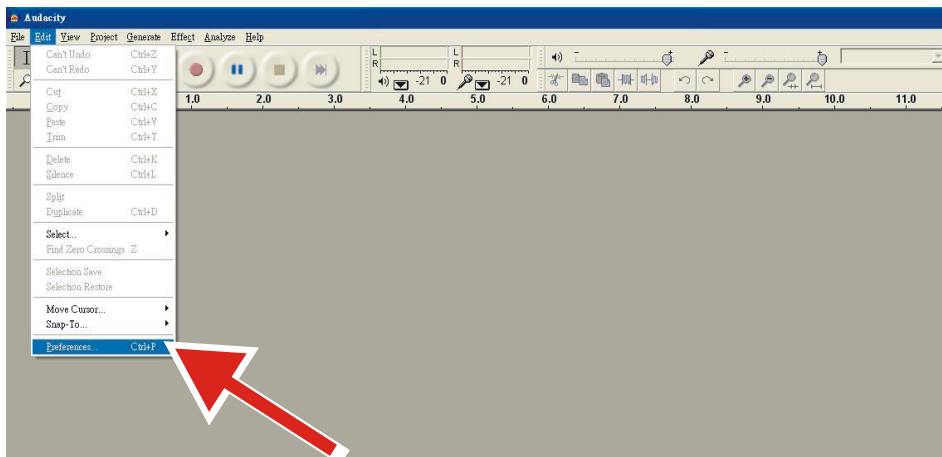
RESUMEN DEL SOFTWARE AUDACITY

Audacity es un software gratuito con la Licencia Pública General (GPL, por sus siglas en inglés) de GNU. Puede encontrar más información y el código fuente abierto en la página web <https://www.audacityteam.org/download/>

* **Asegúrese de instalar el software antes de empezar.**

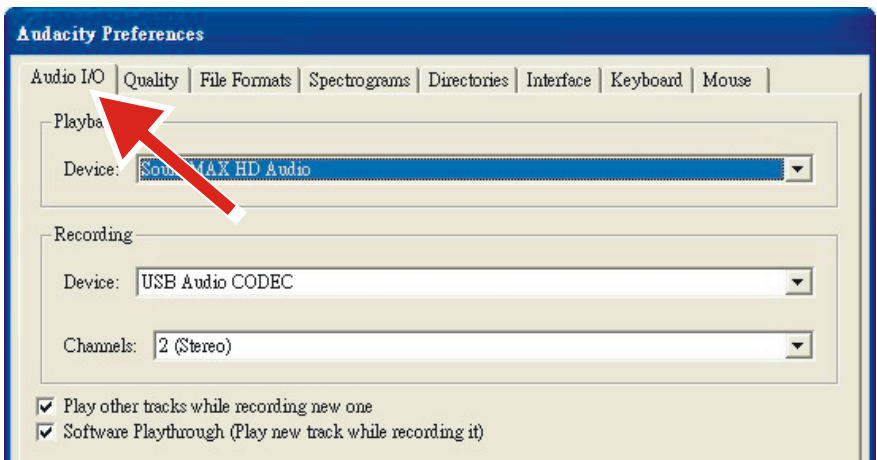
Configurar el PC para trabajar con Audacity

25. Conecte una fuente de entrada a la unidad.
26. Conecte el cable USB al ordenador.
27. Instale el software de grabación Audacity.
28. Abra el programa Audacity.
29. Seleccione Preference (Preferencias) en la pestaña Edit (Editar) del menú de Audacity.



30. Seleccione la pestaña **Audio I/O** (E/S de audio) en la esquina superior izquierda.

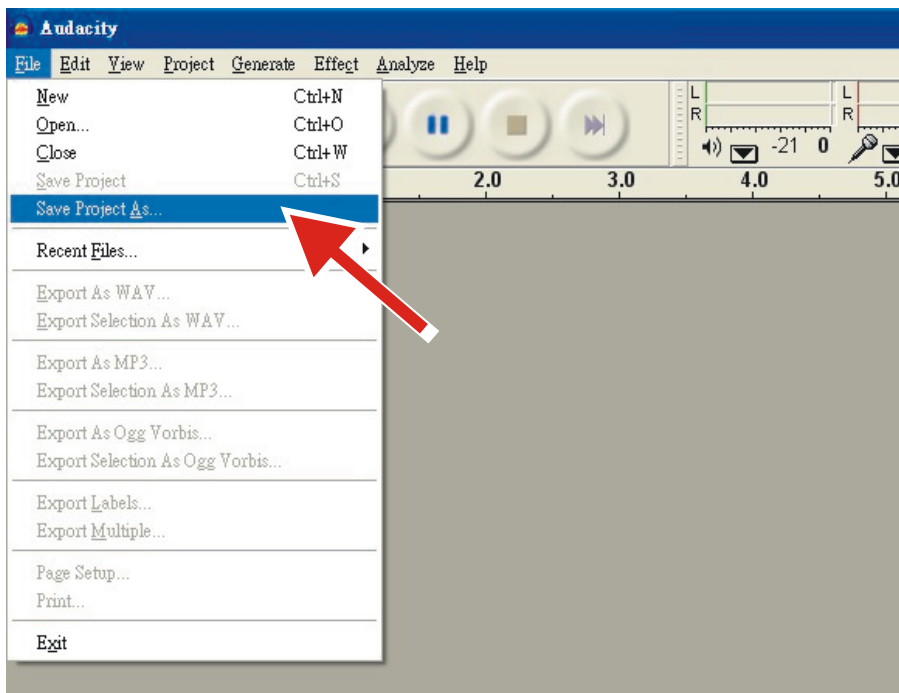
- En Reproducción, Dispositivo, seleccione **su tarjeta de sonido interna**.
- En Grabación, Dispositivo, seleccione **Códec de audio USB** (USB Audio CODEC).
- En Grabación, Canales, seleccione **2 (Stereo)** (2 (Estéreo)).
- Marque la casilla **Play other tracks while recording new one** (Reproducir otras pistas mientras se graba una nueva).
- Marque la casilla **Software Playthrough** (Playthrough de software).



Grabar álbumes con Audacity


9. Guardar un proyecto

- Audacity escribe todo el audio grabado y modificado en un directorio llamado **Projectname_data**, ubicado donde se guardó el archivo de proyecto.
- Por tanto, seleccione **Save Project as** (Guardar proyecto como) en la pestaña Archivo (File) de Audacity y elija una ubicación y nombre de archivo para el proyecto.
- Tenga en cuenta que cuando inicie Audacity por primera vez sólo estará disponible la opción “**Save As...**” (Guardar como...) en el menú.





10. Cómo grabar

- Ajuste el tocadiscos USB para reproducir la canción o álbum que desea grabar.

- Pulse el botón rojo de Grabar  para empezar a grabar.

- Baje el brazo del tocadiscos USB sobre el álbum y la pista que desea grabar.

- Pulse el botón azul de Pausa  para pausar la grabación. Vuelva a pulsarlo para continuar.

- Pulse el botón amarillo de Parar .

Ya está. Ahora puede practicar con las grabaciones y probar las opciones de edición de Audacity.

Recuerde que puede usar la función Deshacer de forma casi ilimitada mientras el proyecto esté abierto.

NOTA: No se pueden grabar CD directamente con la aplicación Audacity. Deberá usar otras aplicaciones de grabación de CD.

1. Garantía

Lenco ofrece servicio y garantía en cumplimiento con las leyes de la Unión Europea, lo cual implica que, en caso de que su producto precise ser reparado (tanto durante como después del periodo de garantía), deberá contactar directamente con su distribuidor.

Nota importante: No es posible enviar sus reparaciones directamente a Lenco.

Nota importante: Si la unidad es abierta por un centro de servicio no oficial, la garantía quedará anulada.

Este aparato no es adecuado para el uso profesional. En caso de darle un uso profesional, todas las obligaciones de garantía del fabricante quedarán anuladas.

2. Exención de responsabilidad

Regularmente se llevan a cabo actualizaciones en el Firmware y en los componentes del hardware. Por esta razón, algunas de las instrucciones, especificaciones e imágenes incluidas en este documento pueden diferir ligeramente respecto a su situación particular. Todos los elementos descritos en esta guía tienen un objetivo de mera ilustración, y pueden no ser de aplicación en su situación particular. No se puede obtener ningún derecho ni derecho legal a partir de la descripción hecha en este manual.

3. Eliminación del antiguo dispositivo



Este símbolo indica que no deberá deshacerse del producto eléctrico o batería en cuestión junto con los residuos domésticos, en el ámbito de la UE. Para garantizar un tratamiento residual correcto del producto y su batería, por favor, elimínelos cumpliendo con las leyes locales aplicables sobre requisitos para el desechado de equipos eléctricos y baterías. De hacerlo, ayudará a conservar recursos naturales y mejorar los estándares de protección medioambiental en el tratamiento y eliminación de residuos eléctricos (Directiva sobre la Eliminación de Equipos Eléctricos y Electrónicos).

4. Marca CE

Por la presente, Lenco Benelux B.V., Thermiekstraat 1a, 6361 HB Nuth, Países Bajos, declara que este producto cumple con las exigencias esenciales de la directiva de la UE. La declaración de conformidad puede consultarse mediante techdoc@commaxxgroup.com



5. Service (Servicio)

Para obtener más información y soporte del departamento técnico, por favor, visite la página web www.lenco.com Lenco Benelux BV, Thermiekstraat 1a, 6361 HB, Países Bajos.

ATTENZIONE:

L'utilizzo di comandi o regolazioni o l'esecuzione di procedure diverse da quelle specificate può causare l'esposizione a radiazioni pericolose.

PRECAUZIONI PRIMA DELL'USO

CONSERVARE QUESTE ISTRUZIONI:

30. Non coprire o bloccare le aperture di ventilazione. Quando si posiziona il dispositivo su uno scaffale, lasciare uno spazio libero di 5 cm (2") attorno all'intero perimetro.
31. Installare secondo quanto riportato nel manuale fornito.
32. Tenere il dispositivo lontano da sorgenti termiche come radiatori, termosifoni, stufe, candele e altri prodotti che generano calore o fiamme libere. Il dispositivo può essere utilizzato solo in climi moderati. Evitare ambienti estremamente freddi o caldi. Temperatura operativa compresa tra 0° e 35°C.
33. Evitare l'uso del dispositivo in presenza di forti campi magnetici.
34. Le scariche elettrostatiche possono interferire con il normale utilizzo di questo dispositivo. In tal caso, è sufficiente ripristinare e riavviare il dispositivo seguendo il manuale di istruzioni. Durante la trasmissione di file, maneggiarlo con cura e operare in un ambiente privo di elettricità statica.
35. Avvertenza! Non inserire mai oggetti nel prodotto attraverso le prese d'aria o le aperture. All'interno del prodotto sono presenti tensioni elevate e l'inserimento di un oggetto può provocare scariche elettriche e/o cortocircuiti. Per lo stesso motivo, non versare acqua o liquidi sul prodotto.
36. Non utilizzare in aree umide o bagnate, come ad esempio bagni, cucine con vapore o piscine.
37. Non esporre il dispositivo a schizzi o gocciolamenti di liquidi; non poggiare sopra o accanto al dispositivo oggetti contenenti liquidi, ad esempio vasi.
38. Non utilizzare questo dispositivo in caso di condensa. Quando l'unità viene utilizzata in una stanza calda e umida, all'interno dell'unità possono formarsi goccioline d'acqua o condensa e l'unità potrebbe non funzionare correttamente; lasciare l'unità spenta per 1 o 2 ore prima di accenderla: l'unità deve essere asciutta prima di essere alimentata.
39. Sebbene questo dispositivo sia stato fabbricato con la massima cura e controllato più volte prima di lasciare la fabbrica, è comunque possibile che si verifichino problemi come per qualsiasi altra apparecchiatura elettrica. Se si nota fumo, eccessivo accumulo di calore o altri fenomeni imprevisti, scollegare immediatamente la spina dalla rete di alimentazione.
40. Questo dispositivo deve funzionare con una fonte di alimentazione corrispondente ai valori indicati sull'etichetta delle specifiche. Se non si è sicuri del tipo di alimentazione di rete domestica, consultare il rivenditore o la compagnia elettrica locale.
41. Tenere fuori dalla portata degli animali domestici, Ad alcuni animali piace mordere i cavi di alimentazione.
42. Per pulire il dispositivo, utilizzare un panno morbido e asciutto. Non usare solventi o liquidi a base di benzina. Per rimuovere le macchie persistenti, è possibile utilizzare un panno umido con detergente diluito.
43. Il fornitore non è responsabile per danni o perdita di dati causati da malfunzionamento, uso improprio, modifica del dispositivo o sostituzione della batteria.
44. Non interrompere la connessione durante la formattazione del dispositivo o il trasferimento di file. In caso contrario, i dati potrebbero essere danneggiati o andare persi.

45. Se l'unità dispone della funzione di riproduzione USB, la chiavetta USB deve essere collegata direttamente all'unità. Non utilizzare una prolunga USB perché può causare interferenze con conseguenti anomalie dei dati.
46. L'etichetta di classificazione è stata contrassegnata sul pannello inferiore o posteriore del dispositivo.
47. Questo dispositivo non è destinato all'uso da parte di persone (compresi i bambini) con disabilità fisiche, sensoriali o mentali, o mancanti di esperienza e conoscenza, a meno che non siano sotto la supervisione o abbiano ricevuto istruzioni circa l'uso corretto del dispositivo da parte di chi è responsabile per la loro sicurezza.
48. Questo prodotto è destinato esclusivamente a un uso non professionale e non può essere utilizzato per scopi commerciali o industriali.
49. Assicurarsi che l'unità sia collocata in una posizione stabile. I danni causati dall'uso di questo prodotto in una posizione instabile, vibrazioni o urti o la mancata osservanza di qualsiasi altro avvertimento o precauzione indicati in questo manuale utente non saranno coperti da garanzia.
50. Non rimuovere mai la carcassa di questo dispositivo.
51. Non posizionare mai questo dispositivo su altre apparecchiature elettriche.
52. Tenere i sacchetti di plastica fuori dalla portata dei bambini.
53. Utilizzare solo collegamenti/accessori specificati dal produttore.
54. Rivolgersi a personale qualificato per l'assistenza. L'assistenza è necessaria quando il dispositivo è stato in qualche modo danneggiato, come il cavo di alimentazione o la spina, quando è stato versato del liquido o sono caduti oggetti nel dispositivo, quando il dispositivo è stato esposto a pioggia o umidità, non funziona normalmente o è stato abbandonato.
55. L'esposizione prolungata ai suoni ad alto volume dei lettori musicali può causare una perdita temporanea o permanente dell'udito.
56. Se il prodotto viene consegnato con cavo di alimentazione o adattatore di alimentazione CA:
 - In caso di problemi, scollegare la scheda di alimentazione CA e rivolgersi a personale qualificato.
 - Non calpestare o schiacciare l'alimentatore. Fare molta attenzione, in particolare vicino alle prese e al punto di uscita del cavo. Non posizionare oggetti pesanti sull'alimentatore in quanto potrebbero danneggiarlo. Tenere il dispositivo fuori dalla portata dei bambini. Giocando con il cavo di alimentazione possono infortunarsi seriamente.
 - Scollegare il dispositivo durante i temporali o se non viene utilizzato per un lungo periodo.
 - La presa di corrente deve essere installata vicino all'apparecchio e deve essere facilmente accessibile.
 - Non sovraccaricare le prese CA, né le prolunghie. Il sovraccarico può causare incendi o scariche elettriche.
 - I dispositivi di classe 1 devono essere collegati a una presa di rete con connessione di messa a terra di protezione.
 - I dispositivi con struttura di classe 2 non richiedono un collegamento a terra.
 - Afferrare sempre la spina quando la si estrae dalla presa di rete. Non tirare il cavo di alimentazione. Ciò può causare un cortocircuito.
 - Non utilizzare un cavo o una spina di alimentazione danneggiati o una presa non stabile. Ciò può provocare incendi o scariche elettriche.
57. Se il prodotto contiene o viene consegnato con un telecomando contenente batterie a bottone:
Avvertenza:
 - "Non ingerire la batteria, pericolo di ustioni chimiche" o equivalente.

- (Il telecomando in dotazione con) Il presente prodotto contiene una pila a bottone. Se ingerita, la batteria può causare gravi ustioni interne in sole 2 ore e portare alla morte.
- Tenere le batterie, nuove o usate, fuori dalla portata dei bambini.
- Se il vano batteria non si chiude completamente, interrompere l'uso del dispositivo e tenerlo fuori dalla portata dei bambini.
- Se si teme che le batterie possano essere state ingerite o essere venute a contatto con qualsiasi parte interna del corpo, contattare immediatamente un medico.

58. Precauzioni d'uso delle batterie:

- Pericolo di esplosione se la batteria viene sostituita in modo errato. Sostituire solo con batterie dello stesso tipo o equivalenti.
- Non sottoporre le batterie a temperature estreme alte o basse o a bassa pressione dell'aria ad alta quota durante l'uso, lo stoccaggio o il trasporto.
- La sostituzione con una batteria di tipo errato può provocare un'esplosione o la perdita di liquidi o gas infiammabili.
- Lo smaltimento di una batteria nel fuoco o in un forno caldo o lo schiacciamento o il taglio meccanico di una batteria possono provocare un'esplosione.
- Lasciare una batteria in un ambiente circostante a temperatura estremamente elevata può provocare un'esplosione o una perdita di liquidi o gas infiammabili.
- Una batteria soggetta a una pressione dell'aria estremamente bassa può provocare un'esplosione o una perdita di liquidi o gas infiammabili.
- È necessario prestare attenzione agli aspetti ambientali legati allo smaltimento delle batterie.

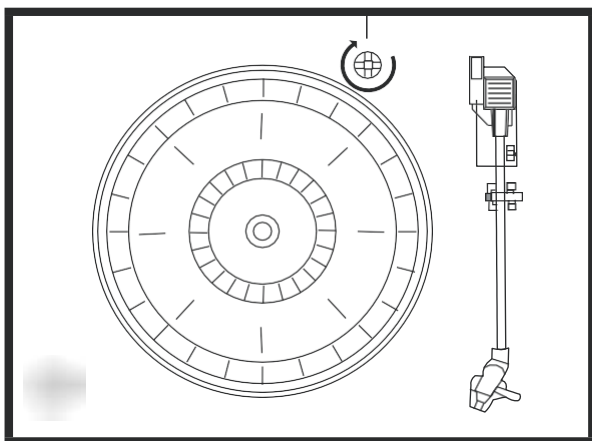
INSTALLAZIONE

- Disimballare tutte le parti e rimuovere il materiale protettivo.
- Non collegare l'unità alla rete elettrica prima di avere controllato la tensione di rete e prima che siano stati effettuati tutti gli altri collegamenti.

PREPARAZIONE PER L'USO, DISIMBALLAGGIO E CONFIGURAZIONE

- Rimuovere con attenzione l'unità dalla confezione in cartone e rimuovere tutto il materiale di imballaggio dalla stessa.
- Svolgere il cavo di alimentazione CA ed estenderlo per tutta la sua lunghezza.
- Posizionare l'unità su una superficie piana e stabile, in prossimità di una presa di corrente, al riparo dalla luce diretta del sole e lontano da fonti di calore, polvere, umidità o forti campi magnetici.
- Collegare la spina a una presa CA.
- Sollevare il coperchio per scoprire il fonografo. Il fonografo è stato fissato per la spedizione mediante una vite di blocco per il trasporto.
- Utilizzare una moneta o un cacciavite per ruotare in senso orario la vite di blocco per il trasporto. Ciò consentirà di "muovere liberamente" il giradischi.

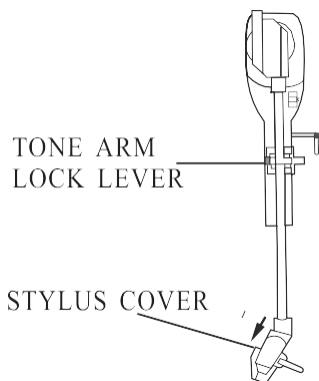
VITE DI BLOCCO PER IL TRASPORTO



- Rimuovere il cappuccio in plastica di colore bianco opaco dalla puntina del fonografo facendolo scorrere nella direzione della freccia.

Rimuovere il cappuccio della puntina.

- Rimuovere il laccetto che è stato utilizzato per fissare il braccio durante la spedizione.
- Rilasciare la levetta di blocco del braccio.
- Collegare la spina a una presa CA.



EN	IT
TONE ARM LOCK LEVER	LEVETTA DI BLOCCO DEL BRACCIO
STYLUS COVER	CAPPUCCIO DELLA PUNTINA

ALIMENTAZIONE

- Il sistema utilizza un adattatore CA.
- La presa elettrica dovrà essere sostituita da un elettricista qualificato e autorizzato.
- Per garantire il corretto funzionamento, la spina e il jack di alimentazione devono corrispondere alla perfezione.

IMPORTANTE: Sollevamento e abbassamento del coperchio

Per aprire il coperchio, sollevarlo al massimo finché la staffa di supporto del coperchio non si “blocca” in posizione di apertura.

Per chiudere il coperchio, sollevarlo leggermente verso l’alto finché la staffa di supporto del coperchio non si “sblocca”, dopodiché abbassare delicatamente il coperchio.

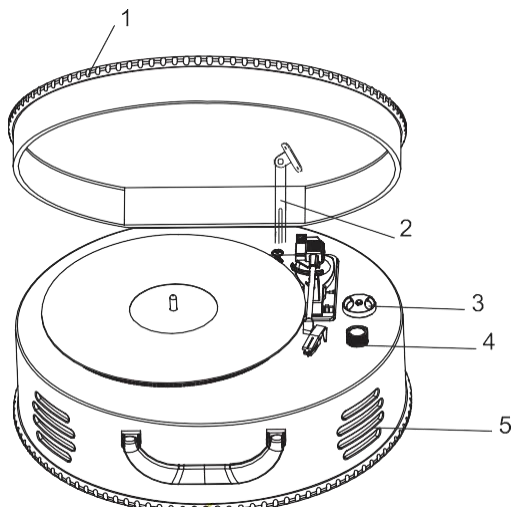
PER EVITARE DI DANNEGGIARE IL MOBILETTO O IL COPERCHIO, EVITARE IN QUALSIASI CASO DI FORZARE IL COPERCHIO

PROTEZIONE DEI MOBILI

Il presente modello è dotato di “piedini” in gomma antiscivolo per impedire al prodotto di muoversi quando si utilizzano i controlli. Tali “piedini” sono realizzati in materiale di gomma non migrante appositamente formulato per evitare di lasciare segni o macchie sui mobili. Tuttavia, alcuni tipi di lucidanti per mobili a base di olio, conservanti per il legno o spray per la pulizia potrebbero indebolire i “piedini” in gomma e lasciare segni o residui di gomma sui mobili. Per prevenire eventuali danni ai propri mobili si consiglia vivamente di acquistare piccoli feltrini autoadesivi, disponibili nei negozi di ferramenta e nei centri di bricolage, e di applicare tali feltrini nella parte inferiore dei “piedini” in gomma prima di posizionare il prodotto sui mobili in legno pregiato.

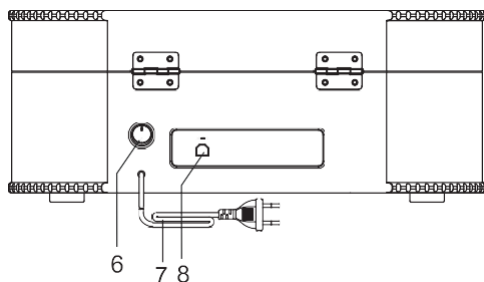
POSIZIONE DEI CONTROLLI E DEGLI INDICATORI

PANNELLO ANTERIORE



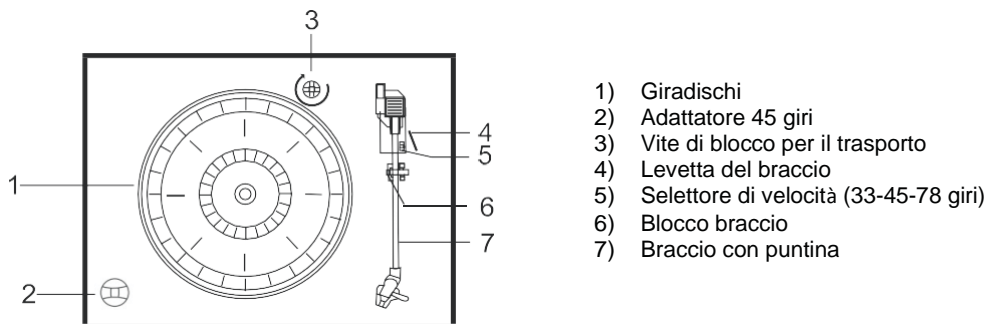
- 9) COPERCHIO DEL FONOGRAFO
- 10) STAFFA DI SUPPORTO DEL COPERCHIO DEL FONOGRAFO
- 11) ADATTATORE 45 GIRI
- 12) CONTROLLO DEL VOLUME
- 13) ALTOPARLANTI

PANNELLO POSTERIORE



- 14) PULSANTE ACCENSIONE/SPEGNIMENTO
- 15) CAVO DI ALIMENTAZIONE CA
- 16) PRESA USB

FONOGRAFO



- 1) Giradischi
- 2) Adattatore 45 giri
- 3) Vite di blocco per il trasporto
- 4) Levetta del braccio
- 5) Selettore di velocità (33-45-78 giri)
- 6) Blocco braccio
- 7) Braccio con puntina

RIPRODUZIONE DISCHI

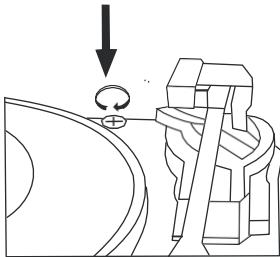
Il sistema comprende un giradischi completo, a 3 velocità con trasmissione a cinghia. È possibile riprodurre dischi a 33, 45 e 78 giri.

- 8) Premere il pulsante di alimentazione per accendere l'unità.
- 9) Assicurarsi di aver rimosso il cappuccio della puntina e di aver rilasciato il blocco del braccio utilizzato per fissarlo nell'apposito supporto.
- 10) Impostare il selettore di velocità del giradischi sulla velocità appropriata, 33, 45 o 78 giri. In caso di riproduzione di singoli a 45 giri, posizionare l'adattatore da 45 giri sul perno centrale.
- 11) Posizionare il disco sul perno centrale.
- 12) Sollevare la levetta del braccio per sollevarlo dal supporto. Spostare il braccio sul bordo del disco. Il giradischi verrà avviato automaticamente. Utilizzare la levetta del braccio per abbassarlo delicatamente sul disco.
- 13) Quando il braccio raggiunge la fine del disco, ritorna automaticamente sul supporto e il giradischi si ferma.
- 14) Per spegnere il sistema "Off", premere e tenere premuto il pulsante di alimentazione per 2 secondi.

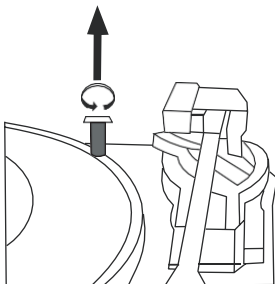
NOTA: Evitare di girare o fermare il giradischi manualmente, in quanto lo spostamento o l'urto del giradischi senza aver fissato il fermo del braccio potrebbe danneggiare quest'ultimo.

IMPORTANTE

- PER PROTEGGERE IL GIRADISCHI DA DANNI DURANTE IL TRASPORTO, NELLA PARTE SUPERIORE DESTRA DELLA PIATTAFORMA DEL GIRADISCHI È PRESENTE UNA VITE ARGENTATA.
- PRIMA DELLA RIPRODUZIONE, UTILIZZARE UN CACCIAVITE PER RUOTARE COMPLETAMENTE LA VITE DI TRASPORTO IN SENSO ORARIO (FACENDOLA SCENDERE) PER SBLOCCARE IL GIRADISCHI.



- PER BLOCCARE NUOVAMENTE IL GIRADISCHI PER IL TRASPORTO, RUOTARE LA VITE IN SENSO ANTIORARIO.



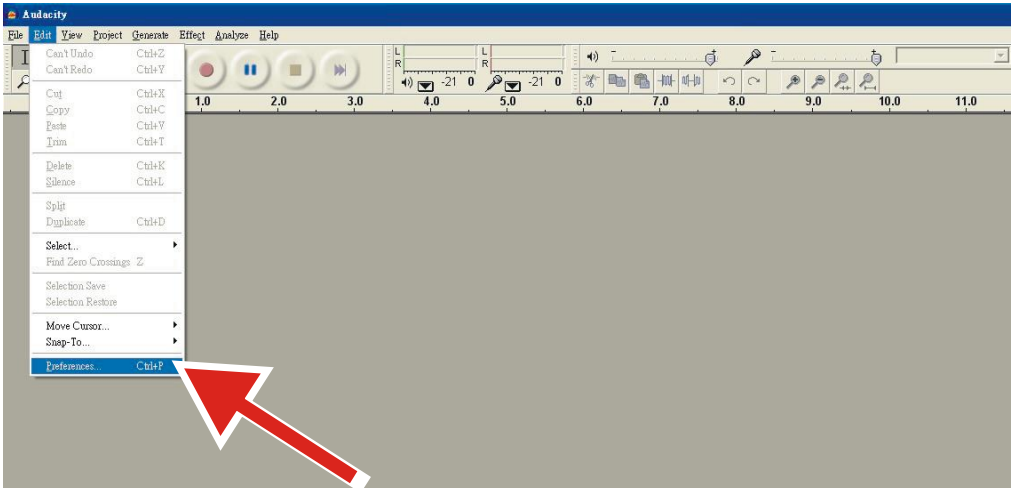
PANORAMICA SUL SOFTWARE AUDACITY

Audacity è un software gratuito, concesso in licenza con GNU General Public License (GPL). Ulteriori informazioni e codice open source sono disponibili sul Web all'indirizzo <https://www.audacityteam.org/download/>

* **Assicurarsi di aver installato il software prima di iniziare.**

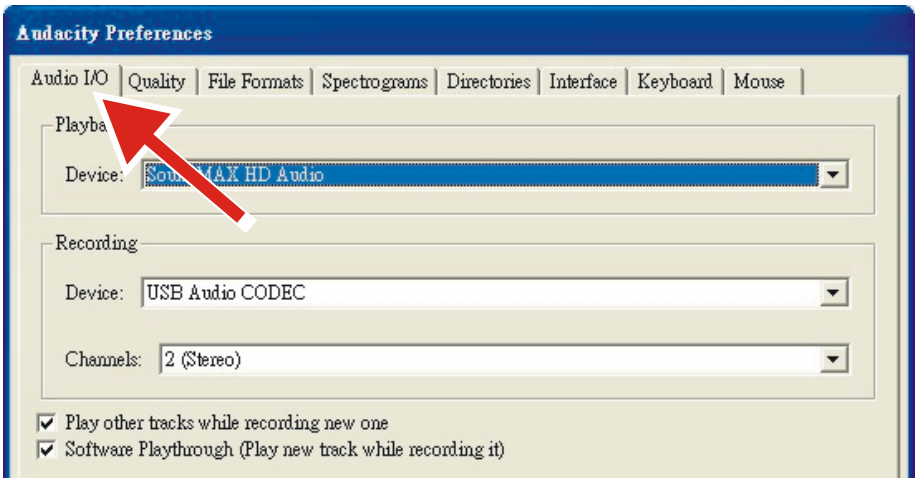
Configurare il PC per il funzionamento con Audacity

31. Collegare una sorgente di ingresso all'unità.
32. Collegare il filo USB al proprio computer.
33. Installare il software di registrazione Audacity.
34. Aprire il programma Audacity.
35. Selezionare Preferenza dalla scheda Modifica nel menu Audacity.



36. Selezionare la scheda **Audio I/O** in alto a sinistra.

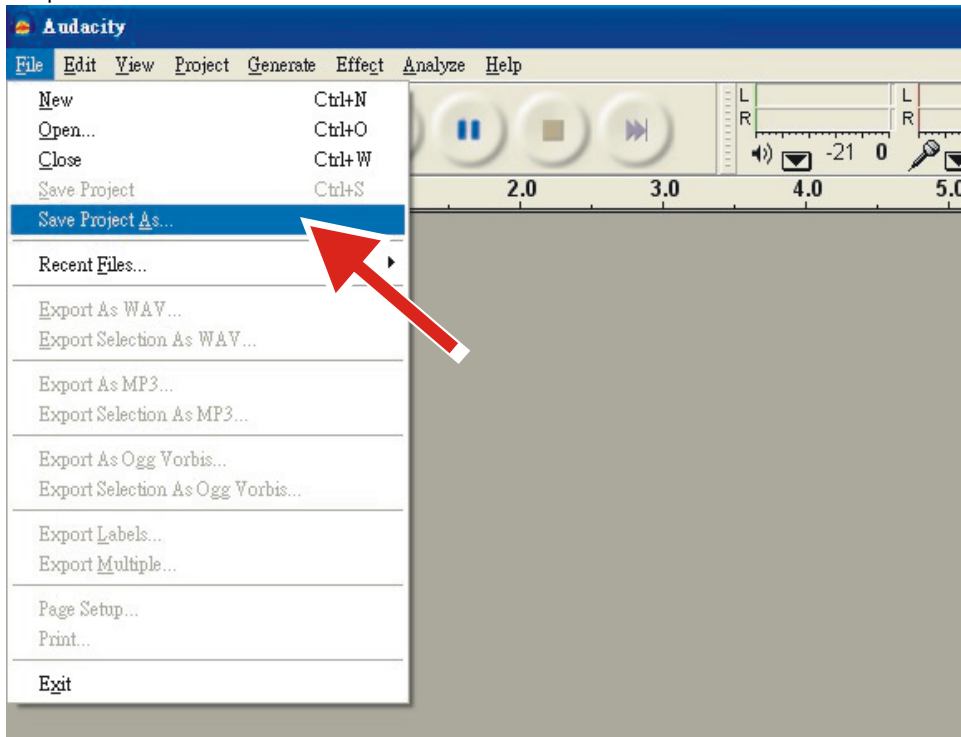
- In Riproduzione, Dispositivo, selezionare **your internal sound card (la propria scheda audio interna)**.
- In Registrazione, Dispositivo, selezionare **USB Audio CODEC**.
- In Registrazione, Canali, selezionare **2 (Stereo)**.
- Spuntare la casella contrassegnata con **Play other tracks while recording new one (Riproduci altre tracce mentre ne si registra una)**.
- Spuntare la casella contrassegnata con **Software Playthrough (Video esplicativo del software)**.



Registrazione di album con Audacity

11. Salvataggio di un progetto

- Audacity scrive tutti gli audio modificati e registrati in una directory chiamata **Projectname_data**, che si trova proprio dove si è salvato il file del progetto stesso.
- Quindi, selezionare **Save Project as (Salva progetto come)** dalla scheda File Audacity e scegliere una posizione e nome del file per il progetto.
- Si noti che quando si avvia Audacity, solo l'opzione del menu **“Save As...”** (“Salva come...”) è disponibile.



12. Come registrare

- Impostare il giradischi USB per riprodurre il brano o l'album che si desidera registrare.



- Fare clic sul pulsante Registra per avviare la registrazione.
- Abbassare il braccio sul giradischi USB sul disco e la traccia che si desidera registrare.



- Fare clic sul pulsante Pausa per mettere in pausa la registrazione. Premere per

continuare.



- Fare clic sul pulsante Stop giallo.

Ecco fatto. Ora è possibile muoversi nella registrazione ed esplorare le capacità di editing di Audacity. Ricordarsi che è possibile usare la funzione Annulla quasi senza limiti mentre il progetto è aperto.

NOTA: I CD non possono essere masterizzati direttamente dall'applicazione Audacity. Devono essere usate altre applicazioni per la masterizzazione di CD.

6. Garanzia

Lenco offre assistenza e garanzia in conformità con la legge europea, il che significa che in caso di riparazioni (sia durante che dopo il periodo di garanzia) è necessario contattare il rivenditore locale.

Nota importante: Non è possibile inviare direttamente a Lenco i prodotti da riparare.

Nota importante: Qualora l'unità venga aperta o manomessa in qualsiasi modo da un centro di assistenza non riconosciuto, la garanzia decadrà.

Questo dispositivo non è adatto per l'uso professionale. Qualora l'unità venga utilizzata per scopi professionali, tutti gli obblighi del produttore derivanti dalla garanzia saranno annullati.

7. Clausola di esclusione di responsabilità

Il firmware e/o i componenti hardware vengono aggiornati regolarmente. Pertanto, è possibile che alcune parti relative a istruzioni, specifiche e immagini contenute nella presente documentazione siano diverse da quanto riscontrato nel singolo caso. Tutte le descrizioni incluse in questa guida sono fornite a puro titolo illustrativo e non si applicano necessariamente alla specifica situazione. Nessun diritto legale o contrattuale può derivare dalle descrizioni contenute nel presente libretto di istruzioni.

8. Smaltimento al termine della vita utile del dispositivo



Questo simbolo indica che in Europa è vietato gettare il relativo prodotto elettrico o la batteria tra i rifiuti domestici. Per il corretto smaltimento al termine della vita utile del prodotto e della batteria, attenersi alle normative locali vigenti in materia di trattamento dei rifiuti da apparecchiature elettriche ed elettroniche e delle batterie. In tal modo si contribuisce a salvaguardare le risorse naturali e a migliorare gli standard per la protezione dell'ambiente nell'ambito del trattamento dei rifiuti da apparecchiature elettriche ed elettroniche (Direttiva RAEE).

9. Marchio CE

Con la presente, Lenco Benelux B.V., Thermiekstraat 1a, 6361 HB Nuth, Paesi Bassi, dichiara che questo prodotto è conforme ai requisiti essenziali della Direttiva Europea applicabile.

La dichiarazione di conformità può essere richiesta inviando una e-mail a techdoc@commaxgroup.com



10. Assistenza

Per ulteriori informazioni e accesso all'helpdesk, visitare il sito www.lenco.com Lenco Benelux BV,

Thermiekstraat 1a, 6361 HB, Paesi Bassi

