



ASSEMBLY INSTRUCTION

speakON® Chassis Connector NL4MPXX & NL4MPXX-3

! ATTENTION: speakON is NOT to be used as an mains or power supply connector!

A ASSEMBLY INFORMATION

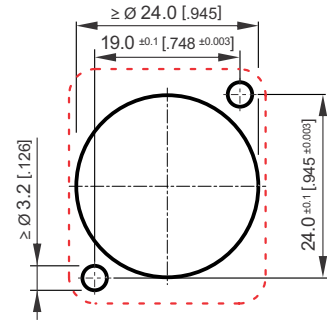
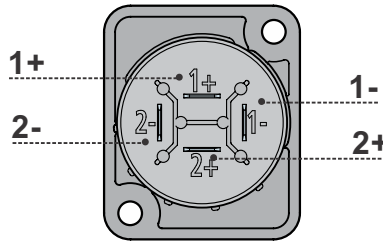
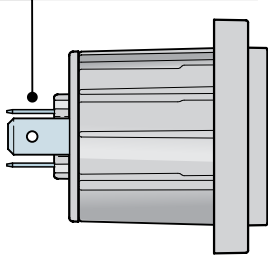
1 CONNECTION

2 WIRING

3 PANEL CUTOUT (Rear Side)

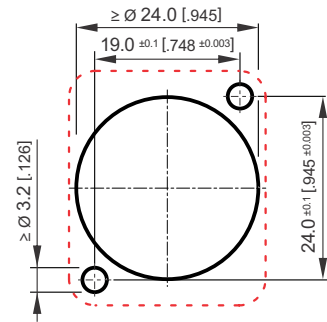
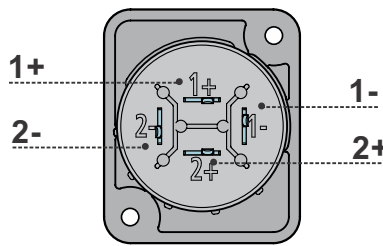
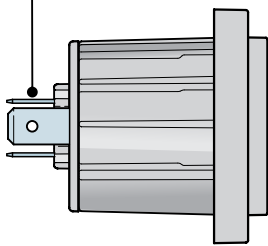
NL4MPXX

Flat tabs for 3/16" FASTON®
4.8 mm x 0.5 mm [0.187" x 0.020"]



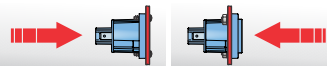
NL4MPXX-3

Flat tabs for 3/16" FASTON®
4.8 mm x 0.5 mm [0.187" x 0.020"]



! MOUNTING

! ATTENTION
Maximum allowable torque M_A



(screws not included)

Rear assembly

Front assembly

NL4MPXX

Countersunk thru holes for countersunk machine screws (e.g.: M3, 4-40)

90 Ncm

60 Ncm

NL4MPXX-3

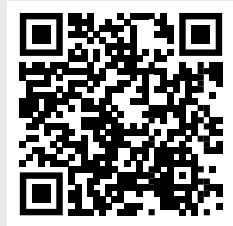
Standard orientation self-tapping screw holes for Neutrik A-screw (rear mount only)

90 Ncm

-

B More Information on the www.neutrik.com

<https://www.neutrik.com/products/audio/speakon>



Neutrik AG	LI	T: +423 / 237 24 24	F: +423/232 53 93	Neutrik France	FR	T: +33 1/4131 6750	F: +33 1/4131 0511
Neutrik USA Inc.	USA	T: +1 704 / 972 3050	F: +1 704/438 9202	Neutrik Tokyo Ltd.	JP	T: +81 3/3663 4733	F: +81 3/3663 4796
Neutrik (UK) Ltd.	UK	T: +44 1983 / 811 441	F: +44 1983/811 439	Neutrik Hong Kong Ltd.	HK	T: +852/2687 6055	F: +852/2687 6052
Neutrik Vertriebs GmbH	DE/NL/AT/DK	T: +49 8131 / 280 890	F: +49 8131/280 830	Neutrik India Pvt. Ltd.	IND	T: +91/982 05 43 424	F: +91/22 26163 540

Draft. Nr.: BDA 594 V1 | Update: 2020-05-20 | Data subject to change without prior notice. ©2020 NEUTRIK®. ALL RIGHTS RESERVED. NEUTRIK® are registered trademark.

www.neutrik.com

NEUTRIK®