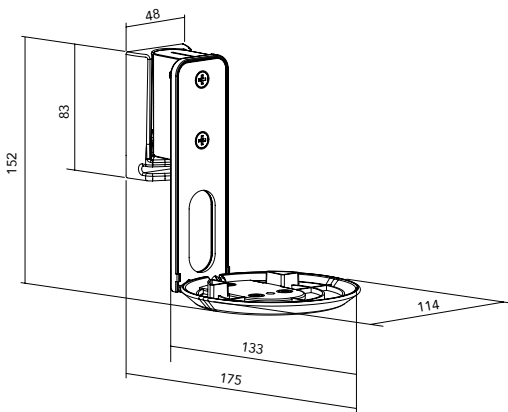


ROTATIVE WALL MOUNT

For sonos ERA 100



DIMENSIONS



DESCRIPTION

Enjoy optimal audio performance from anywhere in the room.

The Rotative Wall Mount is designed exclusively for Sonos Era 100, providing an ideal audio experience from every corner of the room.

Its tilting and swivel angle adjustability provides the users with an optimal listening angle.

Effortless installation and cable management ensure a seamless, clutter-free look that blends with any home decor while taking your Sonos Era 100 to new auditory heights.

SPECIFICATIONS



DESIGN

Finishes : *Matte Black / Matte White*
Surface : *Powder Coating*

USABLE DIMENSIONS

Dimensions (L x H x P) : 175 x 152 x 114 mm

PACKAGING

Delivered disassembled with screws kit, mounting instructions and tools

Quantity/box : 1/carton

Dimensions (W x H x D) : 170 x 122 x 60 mm

Net Weight : 0,34 kg

Gross Weight : 0,44 kg

PRODUCT CODE

● Matte black..... 3 700 795 186 862
NORSONERA100BK

● Matte white..... 3 700 795 186 855
NORSONERA100WT