



INSTRUCTIONS FOR USE
Pro-Ject Stereo Box E

Dear music lover,
thank you for purchasing an integrated amplifier from Pro-Ject Audio Systems.
In order to achieve maximum performance and reliability you should study these instructions for use carefully.



Warning of a hazard for the user, the unit or possible misuse.



Important notice.

Safety instructions

AC outlet voltages vary from country to country. Before connecting to the mains, make sure that the voltage in your area meets the voltage requirements printed on the power supply.

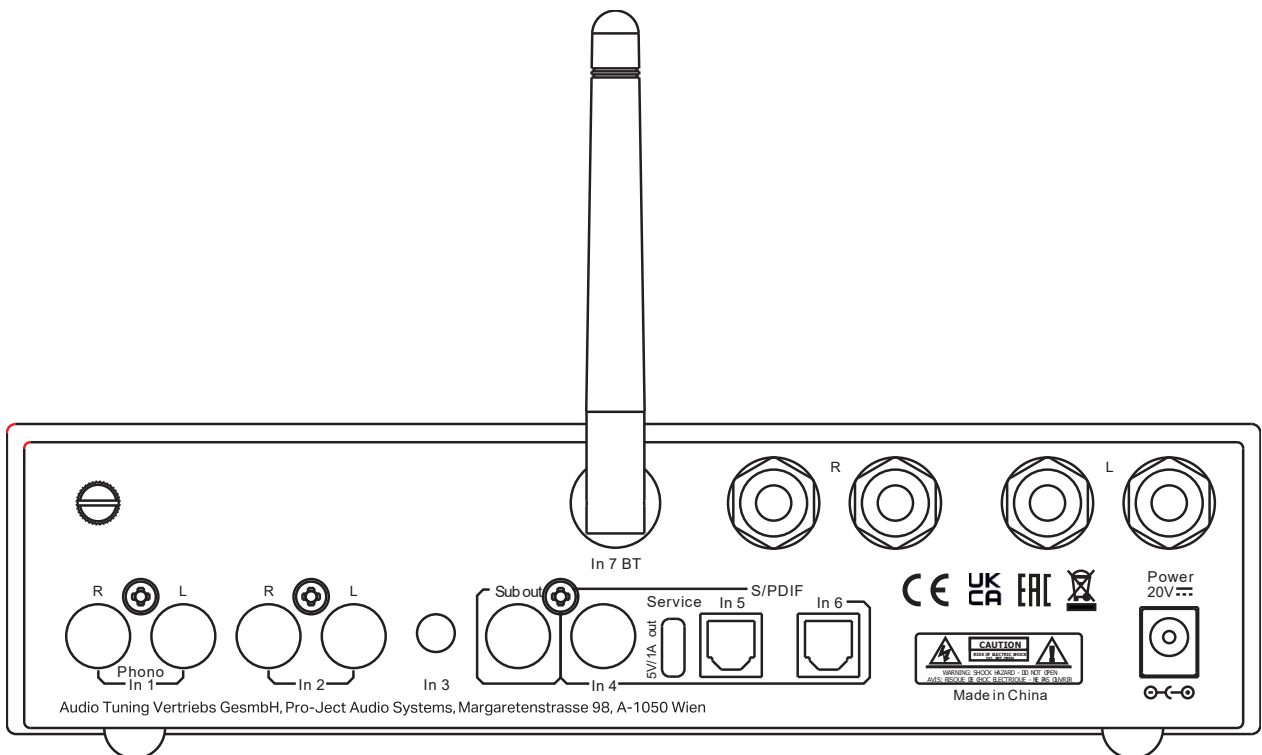
The power supply is used to disconnect the unit from the mains. Make sure that the power supply is easily accessible at all times. Never handle the device, the power supply while your hands are wet or damp.



Avoid letting liquids enter the device or the power supply. Never place any item containing liquid, such as a flower vase on or near the device. Never spill any liquid on the device or the power supply.

Never place any naked flame sources, such as lighted candles on or near the device. The product shall not be used in damp or wet locations, next to a bathtub, sink, swimming pool or any other similar conditions.

Connectors



Make all connections whilst the amplifier is disconnected from the power supply.



Take care to connect the left and right channels correctly. The right channel is usually marked red, the left channel black or white.

Never use any other power supply than the one supplied with the unit.

Phono input

Connect the tonearm signal lead to the **In 1 Phono** of the amplifier. The earthing wire may be connected to the screw terminal if you encounter hum problems when using the turntable. The phono input is suitable for MM and High-Output MC cartridges.

Line inputs

Line level sources (e.g. CD player, radio or TV) can be connected to the RCA input marked **In 2** and 3,5mm TRS input marked **In 3**.

Digital inputs

Sources with a digital output such as TV satellite/cable receiver or a game console can be connected to the digital inputs. Coaxial to **In 4** and optical to **In 5** and **In 6**.

Sub out

An active subwoofer can be connected to the output sockets marked **Sub out**.

Connection to the speakers

The output terminals accept loudspeaker cables terminated with 4mm Ø Banana plugs, spades connectors or naked wire.

USB 5V/1A output

The USB C output on the back can be used to supply modern streaming devices (for example a Stream Box S2, or many other manufacturer's devices) with power.

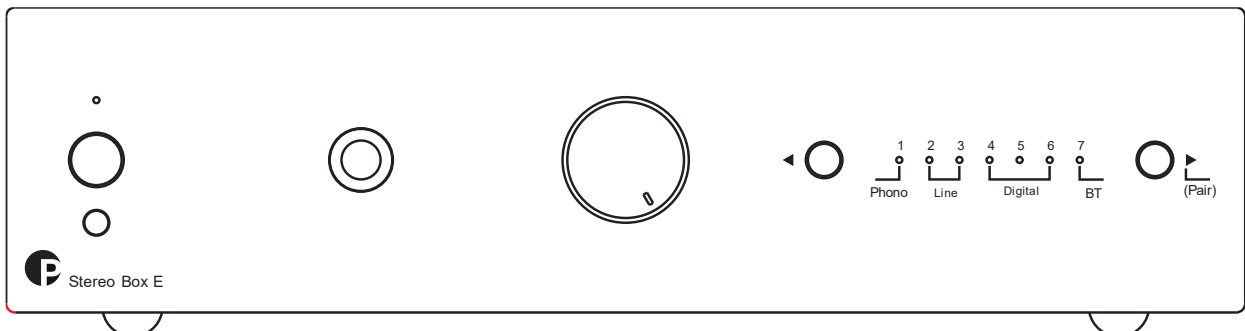


You can use the included USB C to USB A adapter to use USB A power cables that are commonly included with many products.

Mains power connection

Connect the low voltage plug from the power supply to the **Power 20V DC** socket of the amplifier before connecting the power supply to the mains.

Front panel controls



To switch on from standby or to standby

The push button on the left side of the front panel turns the unit on or back into standby. The blue LED above the stand-by push button shows that the unit is switched on.

Input selector

Press the push button next to the 7 input LEDs to switch between the inputs. Selected input number will be illuminated.

Volume

Adjust the volume to the desired level, using the large knob on the front panel.

Connecting a headphone

Connect the headphones to the 1/4" (6,3mm Ø) jack socket on the front of the unit.

BT connection

The Bluetooth antenna comes pre-mounted on the Stereo Box E.

BT is active only when input 7 is selected. If you want to connect your device the first time activate the pairing mode by pressing and hold the button **Input** (pair) until LED 7 starts blinking. The Stereo Box E is now visible & ready to pair for 60 seconds.

Pairing with Android devices

Open **Settings** and turn on BT. Start a **Scan** for BT devices. Searched devices will show up. Tap on "**Stereo Box E**" and confirm the connection. When the connection was successful, the LED of Input 7 lights up continuously. Now you can play music from your Android device over Bluetooth to Stereo Box E.

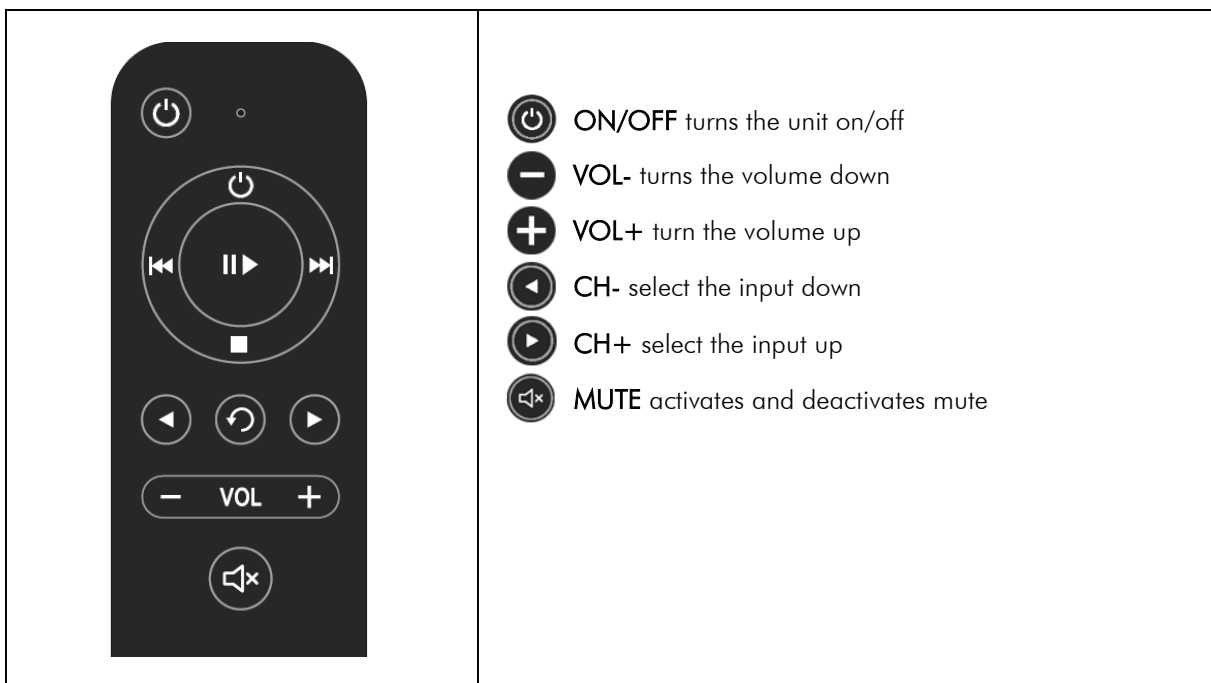
BT pairing with Apple devices

Tap on **Settings** and turn on BT. Your device will automatically start searching for available devices. Tap on "**Stereo Box E**" and confirm the connection. When the connection was successful, the LED of Input 7 lights up continuously.



Stereo Box E can store up to 8 BT devices. If the memory is full, new connections will automatically replace the oldest connection. A new connection is only possible if the LED of BT input is blinking slowly (it indicates that no device is connected).

Remote control



Replacing batteries

Proceed as follows:

- Unlock and slide open the battery case cover
- Replace the battery.
Make sure the battery is the right way round!

- Close the battery case cover

Battery type: 2x AAA 1,5V



Do not dispose the batteries as ordinary domestic refuse. Please dispose your exhausted batteries at the appropriate collection sites - usually located at supermarkets and drugstores.

Technical specifications Pro-Ject Stereo Box S3 BT

Power output:	2x 21W/40W at 8 ohms/4 ohms (1% THD)
Frequency response (20Hz-20kHz):	< (-0,3dB; -2.5dB) at 4ohm
Channel separation:	60dB @ 1kHz
Signal to noise ratio Variable output:	90dB 'A' weighted
THD:	< 0,12% at 5W / 4 ohms
Gain:	25dB
Phono MM input:	1 x RCA with grounding screw
Line level inputs:	1 x RCA, 1 x 3.5mm
Line input sensitivity:	700 mV
Line input impedance:	20 kohms
BT version:	5.0
BT music receiver codec:	aptX, aptX HD, A2DP profile
BT maximum TX power:	+9dBm
Speakers connectors:	Ø 4mm banana plugs, spades connectors or naked wire
Outboard power supply:	20V/3A DC, suitable for your country's mains supply
Power consumption in standby:	<0.5W
Replacement battery remote control:	2x AAA 1,5V
Dimensions: WxHxD (D with sockets):	206 x 51 x 115 (186) mm
Weight:	2kg without power supply

Service

Should you encounter a problem which you are not able to alleviate or identify, please contact your dealer for further advice. Only if the problem cannot be resolved there, the unit should be sent to the responsible distributor in your country.

Warranty



The manufacturer accepts no responsibility for damage caused by not adhering to these instructions for use. Modification or changes to any part of the product by unauthorized persons release the manufacturer from any liability over and above the lawful rights of the customer.

Copyright, trademarks

Pro-Ject Audio Systems is a registered Trademark of H. Lichtenegger.

This guide was produced by: Pro-Ject Audio Systems
Copyright © 2024. All rights reserved.

The information was correct at the time of going to press. The manufacturer reserves the right to make changes to the technical specification without prior notice as deemed necessary to uphold the ongoing process of technical development.

Waste from Electrical and Electronic Equipment (WEEE): This directive mandates the collection and recycling of electronics and component materials in order to reduce the amount going to landfills. Outside North America, when the user decides to discard this product, it must be sent to a separate collection facility for recycling. Please contact your point of purchase for more details.

Federal Communication Commission (FCC) Interference Statement FCC Part 15: This equipment has been tested and found to comply with the limits for a Class B digital device, pursuant to Part 15 of the FCC Rules. These limits are designed to provide reasonable protection against harmful interference in a residential installation. This equipment generates, uses and can radiate radio frequency energy and, if not installed and used in accordance with the instructions, may cause harmful interference to radio communications. However, there is no guarantee that interference will not occur in a particular installation. If this equipment does cause harmful interference to radio or television reception, which can be determined by turning the equipment off and on, the user is encouraged to try to correct the interference by one or more of the following measures:

- Reorient or relocate the receiving antenna
- Increase the separation between the equipment and receiver
- Connect the equipment into an outlet on a circuit different from that to which the receiver is connected
- Consult the dealer or an experienced radio/TV technician for help.

This device complies with part 15 of the FCC Rules. Operation is subject to the following two conditions: (1) This device may not cause harmful interference, and (2) this device must accept any interference received, including interference that may cause undesired operation. FCC Radiation Exposure Statement: This equipment complies with FCC radiation exposure limits set forth for an uncontrolled environment.

To maintain compliance with FCC's RF exposure guidelines, this equipment should be installed and operated with minimum distance 20cm between the radiator and your body. Use on the supplied antenna.

Declaration of Conformity

Pro-Ject Audio Systems a division of Audio Tuning GmbH

Margaretenstrasse 98
1050 Vienna,
Austria

declare under our responsibility that the product is in conformity with the provisions of Directives:
2014/35/EU including amendments
2014/30/EU including amendments
2014/53/EU including amendments

The following harmonised standards were applied:

Health: EN62479:2010

Safety: EN60950-1:2006+A11:2009+A1:2010+A12:2011+A2:2013, EN62368-1:2014/A11:2017,
EN61558-1:2005/A1:2009, EN61558-2-16:2009/A1:2013

EMC: EN301489-1 V2.2.0: 2017-03, EN301489-17 V3.2.0:2017-03, EN55032:2015, EN55035:2017,
EN61000-3-2:2014, EN61000-3-3:2013

Radio Spectrum: EN300328 V2.1.1 (2016-11)

Pro-Ject Audio Systems a division of Audio Tuning GmbH

1050 Vienna, Austria, Margaretenstrasse 98
info@project-audio.com