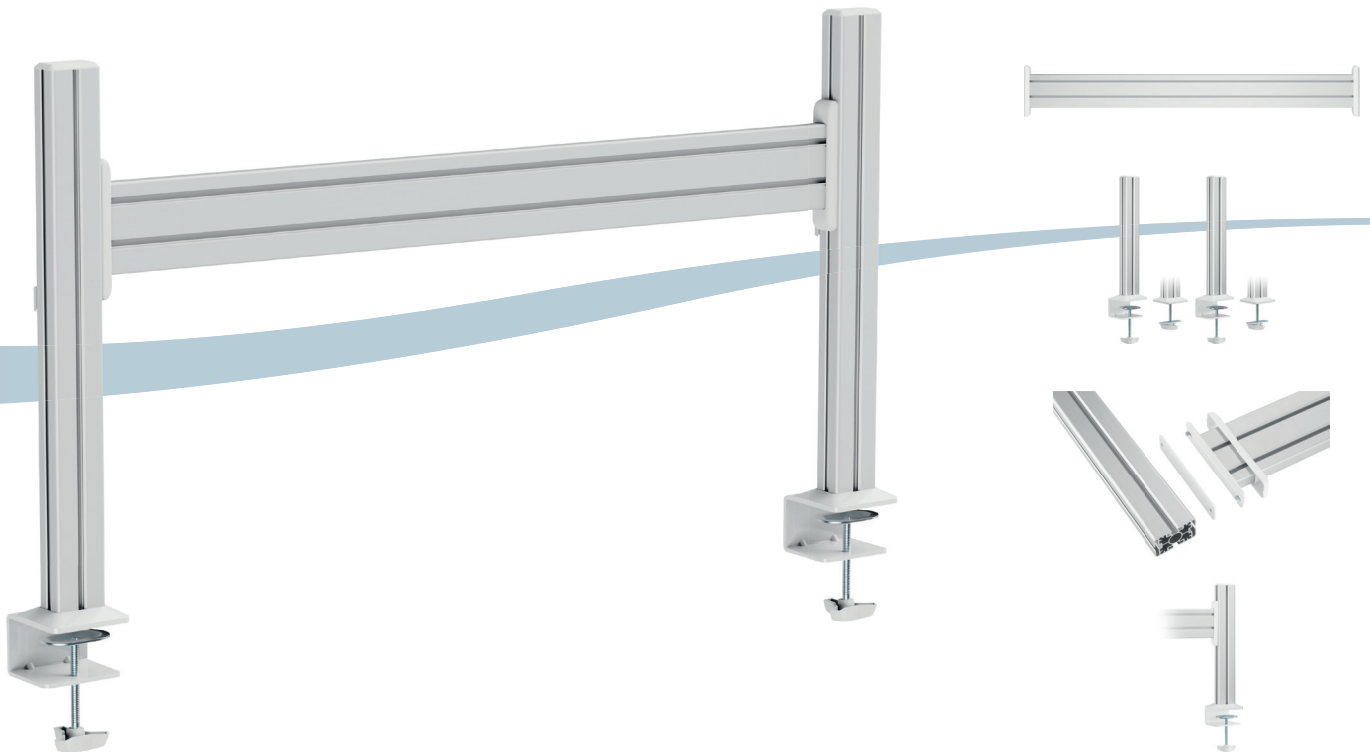


INLINE® SLATWALL TABLE MOUNT

Panel aluminium 1m incl. 2 pillars, 0.43m



The InLine Slatwall series creates intelligent space for setting up monitor holders and accessories such as trays for documents, pens and desk utensils. The system offers two mounting options for a wide range of installation requirements as a desk or wall mount.

The desk mount offers a dual-user option, meaning monitors and accessories can be configured for two opposing desks on different levels.

- InLine Slatwall Panel Aluminium, for desk mount
- Material: aluminium, plastic
- Colour: aluminium
- Length: 1m
- Incl. InLine® Slatwall mounting kit, for table mount panel, 0.43m

Technical data	
Adjustable in height:	Yes
Article height:	0.43 m
Article length:	1 m
Article width:	6 cm
Brand:	InLine®
Gas spring:	No
Hinged/swivel arm:	No
Manufacturer No.:	23181E
Number of monitors:	2
Rotatable:	No
Special feature:	Slatwall mounting for table panel
Suitable for:	Desktops
Tiltable:	No
Type of packaging:	InLine® carton without Euro perforation
VESA:	75x75 / 100x100 mm

Item No.	Number of Monitors	EAN
23181E	2	4043718332212



If you have any further questions, please contact marketing@inline-info.com

www.inline-info.com/en/

Disclaimer

InLine® is a brand of INTOS ELECTRONIC AG | Siemensstraße 11 | D-35394 Gießen

Documentation © 2024 INTOS ELECTRONIC AG

All rights reserved. No part of this document may be reproduced in any form or by any means, electronic, mechanical or chemical, without the prior written permission of the publisher. It is possible that this document may still contain typographical faults or misprints.

However, the information in this document will be checked regularly and corrections will be made in the next edition. We accept no liability for errors of a technical or printing nature and their consequences. All trademarks and industrial property rights are acknowledged. Changes in the sense of technical progress can be made without prior notice. Our products, including packaging, are not toys, they may contain small parts and sharp objects.

Please keep away from children.