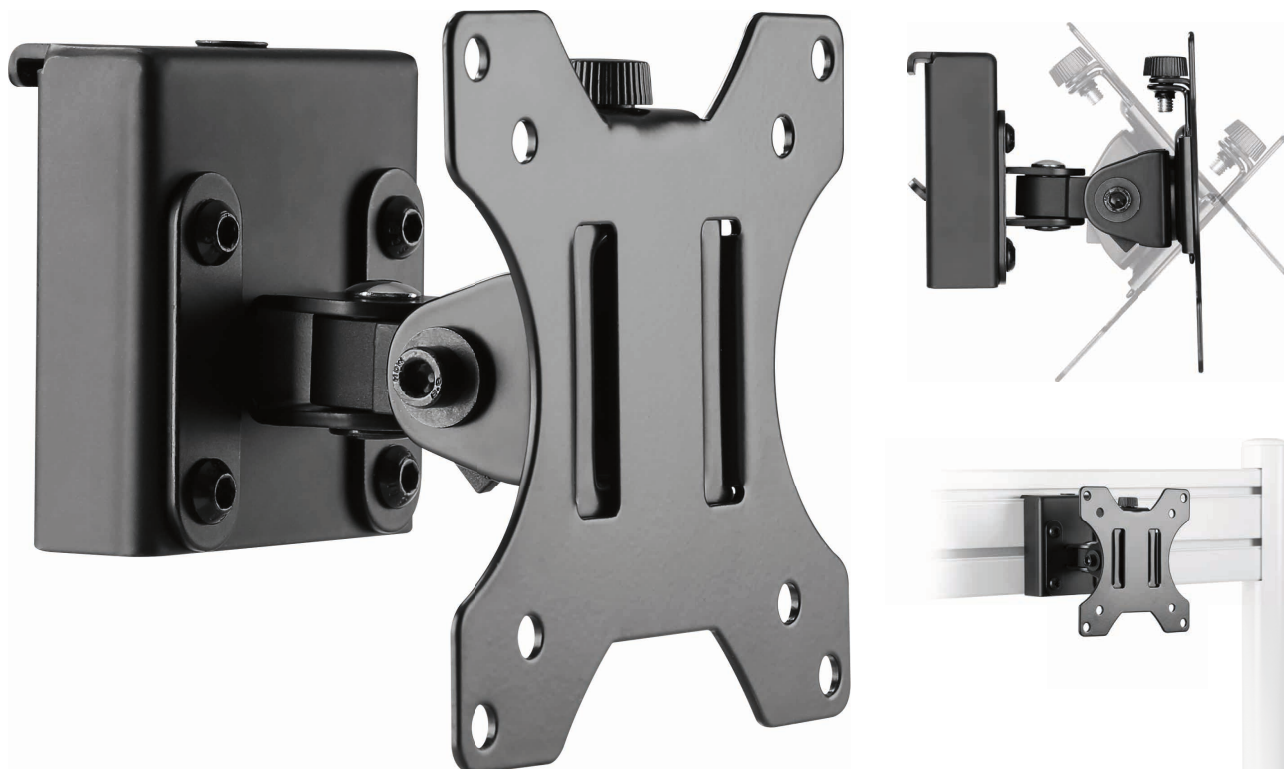


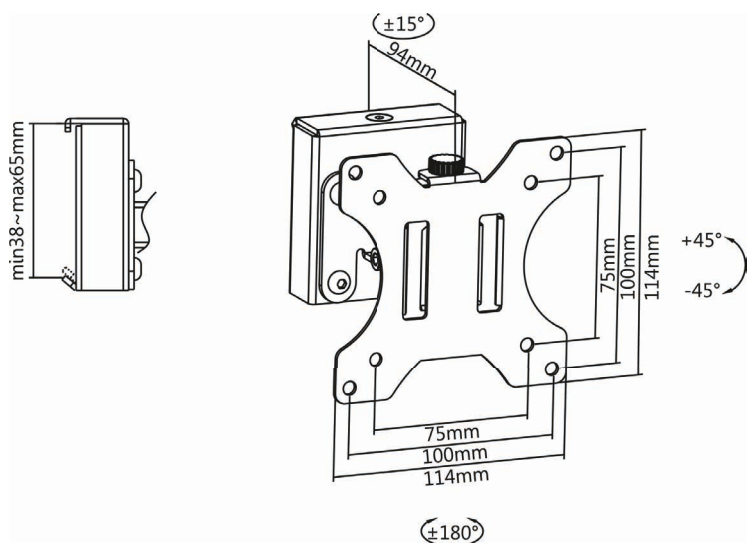
INLINE® SLATWALL MONITOR BRACKET SHORT



The InLine Slatwall series creates intelligent space for setting up monitor holders and accessories such as trays for documents, pens and desk utensils. The system offers two mounting options for a wide range of installation requirements as a desk or wall mount.

The desk mount offers a dual-user option, meaning monitors and accessories can be configured for two opposing desks on different levels.

- InLine Slatwall Monitor bracket short
- Material: steel
- Colour: black
- Fits screen size: 13"-27" and VESA 75/100mm
- Screen Quantity: 1
- Weight capacity (per screen): 6.5kg
- Tilt range: +45°~-45°
- Swivel range: +15°~-15°
- Screen rotation: +180°~-180°
- For mounting on InLine Slatwal Panel



EAN: 4043718293360
ART.-NR.: 23183A