



# Radio Fem

Internet radio/DAB+/FM/BT/CD



User manual  
Brugermanual  
Manuel utilisateur  
Bedienungsanleitung  
Brukermanual  
Användarhandbok  
Käyttöohje

# Tangent Radio Fem



Internet Radio - DAB+/DAB/FM Radio - CD player – Bluetooth – USB - Spotify

User manual

## Getting Started

Carefully unpack your radio from the box. You may wish to store the packaging for future use.

### What you can find inside of your package

- Main unit
- Power adapter
- Remote control
- Instruction manual

### Positioning your Radio

Place your radio on a flat / stable surface that is not subject to vibrations.

Avoid the following locations:

- Where the radio will be exposed to direct sunlight.
- Where the radio will be close to heat radiating sources.
- Where the humidity is high and ventilation is poor.
- Where it is dusty.
- Where it is damp or there is a possibility of water dripping or splashing onto unit.

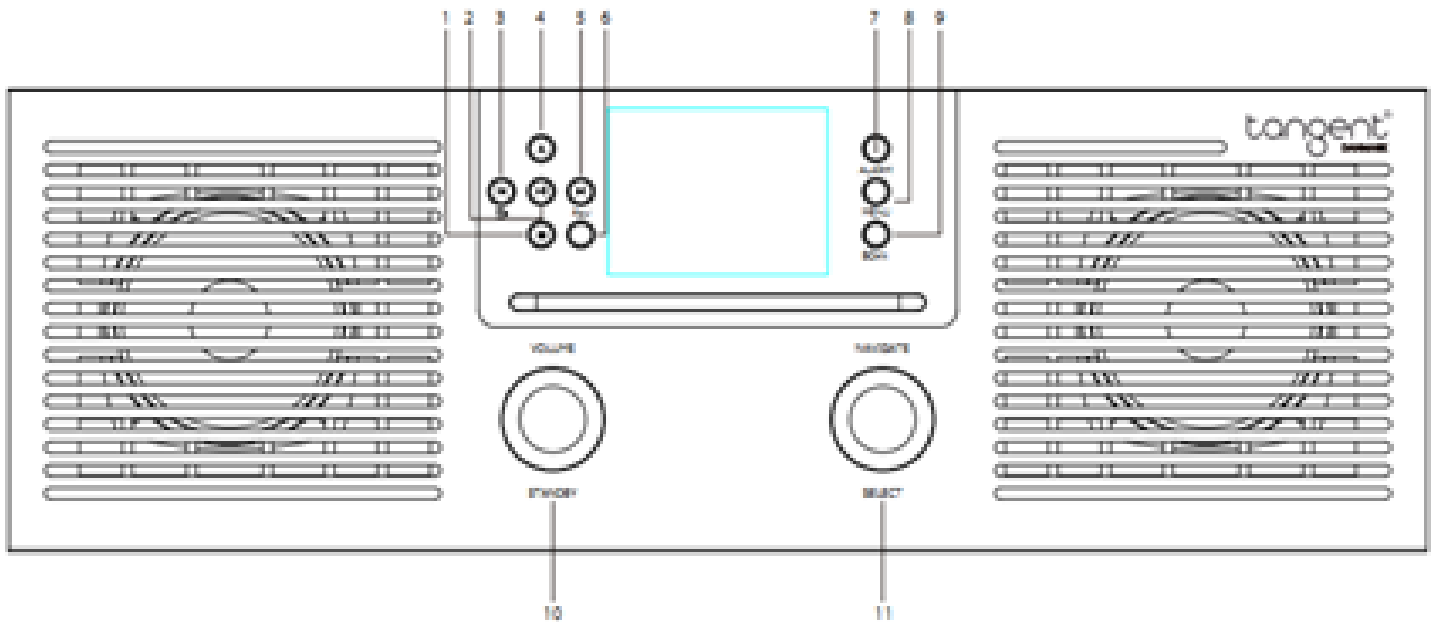
### Adjusting the Antenna

Extend the antenna to ensure you receive the best reception possible in both DAB and FM radio modes. It may be necessary to adjust the position of the radio and /or antenna to achieve the best signal.

### Turning the Unit On/Off

Connect the plug at the end of power adapter cable to the **DC IN** jack on the back of the unit. Then insert the power adapter into the mains socket. Press **POWER** button to turn the unit on or standby. To switch the unit off completely, unplug the power adapter from the mains socket.

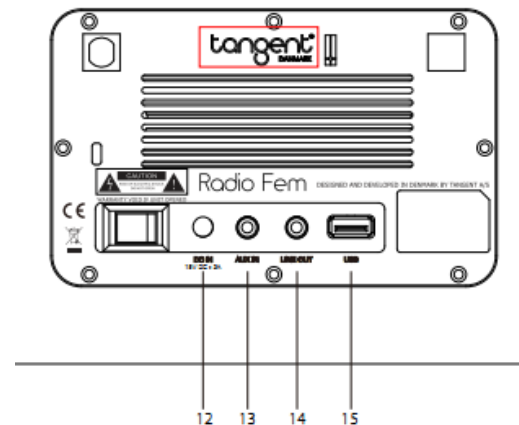
# 1. Overview



- 1. ■ Press to stop CD playing in CD mode
- 2. ▶|| Play/Pause
- 3. ◀ Fast forward (CD mode) & Turn left / back, **Previous** button
- 4. ▲ CD Eject
- 5. ▶ Fast backward (using in CD mode) & Turn right/forward, **Next** button
- 6. **Fav** To save and take out the radio stations
- 7. **Alarm** Set alarms (Alarm 1 & Alarm 2)
- 8. **Menu** Show menu for the current mode (long press into Menu, press into Info)
- 9. **Scan** Scanning in DAB & FM modes
- 10. **Volume/Standby knob**  
 Press to turn on  
 Rotate knob to adjust the volume when playing  
 When playing press to enter mode menu (toggle between the different modes with navigate button)  
 Longpress to turn off (standby)

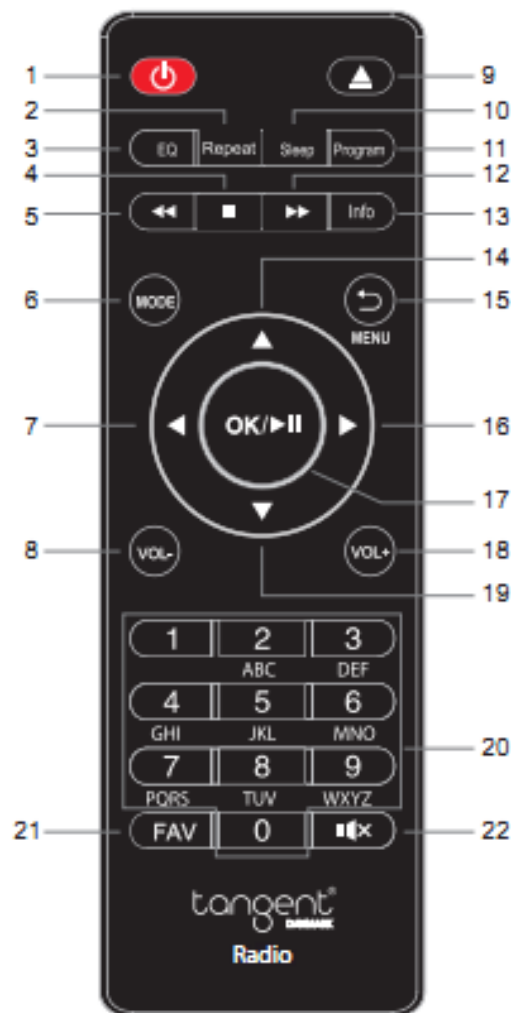
- 11. **Navigate/Select knob**  
 Rotate knob to navigate and select  
 Press knob to confirm when needed

- 13. **DC IN socket** Input for powersupply
- 14. **AUX IN socket** Input for 3.5mm AUX cable
- 15. **Line out socket** Output 3.5mm for external speaker
- 16. **USB port** Play USB music or update software



## 2. Remote Control

1. Standby
2. Repeat
3. EQ
4. Stop
5. Back / back track
6. Mode
7. Left Cursor
8. Volume -
9. CD-ejection
10. Sleptimer
11. Program
12. Forward / next track
13. Info
14. Cursor up
15. Menu / back in Menu
16. Right Cursor
17. OK und Play/Pause
18. Volume +
19. Cursor down
20. Letters
21. Favorits
22. Mute



## 3. FIRST STEPS

Before operation, make sure that the voltage stated on the power supply matches the voltage in your house.

Use the supplied adaptor to connect the radio to a household socket.

When the device is switched on for the first time, the setup wizard starts automatically.

### 3.1 Setup wizard

The data protection guidelines appear at the very beginning. Scroll these down with the navigation knob and confirm by pressing the navigation knob. Then the setup wizard appears.

After running through the setup wizard to configure date/time and network settings, the system is ready to use in most modes. To run the setup wizard again, select Menu> System Settings> Setup Wizard.

## 4. OPERATION

### 4.1 Mode

Select a mode in the main menu by rotate navigation knob and press Navigation knob to confirm. After a short moment, the radio switches to this mode. The last station or track that was previously used in this mode is selected. If this is not possible, the radio searches for relevant stations, networks or prompts the user for input.

### 4.2 Menu Navigation

The main menu offers an alternative method for selecting listening modes as well as sleep and alarm functions and a final option: System Settings> The ">" indicates options that lead to further menus.

### 4.3 Text entry

The data entry screen shows all available characters and command functions in an endless loop. Rotate the knob to scroll through the loop as needed. Press navigation knob to select the currently highlighted character. Select the BKSP (Backspace) option to remove the last character. Select navigation knob to enter the search words or password once done. Select CANCEL to exit the input screen.

### 4.4 Preset buttons

Up to 40 preset stations can be stored and called up in each DAB, FM, and Internet radio mode.

To save the current station as a favorite, press and hold FAV until Save is shown on the display, select one of the 40 station slots to save the currently playing station and press Navigation knob to confirm. To select a favorite, briefly press FAV and select one of the listed preset stations. When a preset station is playing, its preset number, star symbol + number, is displayed at the bottom of the screen.

## 5. SYSTEM SETTINGS

### 5.1 Equalizer

To choose an EQ setting, select Menu> System Settings> Equalizer, there are several pre-defined EQ settings available, also a custom setting (My EQ). To define your own settings for the "My EQ" option with custom settings for bass and treble.

### 5.2 Network

#### 5.2.1 Network wizard

##### Choosing a network

When the network wizard is selected, the radio will automatically search for available wireless networks and display a list of SSIDs (Service Set Identifiers) for the networks, select a network from the list.

##### Open network

If the network is open (unencrypted), a wireless connection is established, and no further details are required.

##### Encrypted network

If the wireless network is protected, options for entering the network key or passphrase will appear on the next screen.

##### Completion network

The radio connects to the selected network. If the connection fails, the radio will return to a previous screen for you to try again. If the network connection is lost, the radio will automatically reconnect.

## 5.2.2 PBC Wlan setup / WPS (Wi-Fi Protected Setup)

The radio prompts you to press the connect button on the router and then press Navigation knob.

**5.2.3 View Settings:** Displays the setting details: Active connections / MAC address / WiFi region / DHCP / SSID / IP address / Subnet mask / Gateway address / Primary DNS / Secondary DNS

**5.2.4 Manual settings:** Choose between DHCP enabled / disabled

**5.2.5 NetRemote PIN setup:** set a PIN number that must be entered before you can connect to the radio remotely over a network

**5.2.6 Network profile:** This will display a list of the networks the radio will remember (maximum of 4).

**5.2.7 Delete all network settings:** This option clears the current network settings.

**5.2.8 Keep network connected:** Whether the network is retained in other modes outside of Internet radio or in standby.

## 5.3 Time / Date

### 5.3.1 Set time / date

The date and time are displayed as DD-MM-YYYY, with the first value DD being active (flashing). Adjust each value with the controller. When each value is set by pressing the knob, the next value becomes active and can be set.

### 5.3.2 Auto Update (from DAB, FM or Network):

Select Update from DAB, Update from FM, Update from network or No update.

**5.3.3 Setting the format:** 12 hours / 24 hours

**5.3.4 Setting the time zone:** Select the time zone you are in

**5.3.5 Daylight savings:** Turn daylight saving time off and on.

**5.4 Language:** The default language is English. Select Menu> System Preferences> Languages> English, Dansk, Nederlands, Suomi, Francais, Deutsch, Italiano, Norsk, Polski, Portugues, Espanol, Svenska, Turkce

**5.5 Factory reset:** select Menu> System settings> Factory reset > Proceed, Yes. (all user settings are reset to the default values)

## 5.6 Software update

All user settings are retained after a software upgrade.

**CAUTION:** Before starting a software upgrade, ensure that the radio is connected to a stable power supply. Disconnecting the power supply during the software update can permanently damage the device.

## 5.7 Setup wizard

**5.7.1.** Set the date / time format.

**5.7.2.** Automatic update - Select the clock update source or No update.

**5.7.3.** Set the time zone

**5.7.4.** Daylight savings

**5.7.5.** Keep network connected? Yes or No.

**5.7.6.** The network wizard will run automatically (see section 5.2.1 Network).

## 5.8 Info

Displays details of the current system including:

SW version: software version number

Spotify Version: version number



Radio ID: Unique code that identifies this radio

Friendly name: Name used to identify the radio on the network

### 5.9 Privacy Policy

Displays a privacy policy that will take you to our website for full details of Frontier Smart Technologies' privacy policy:

Please visit the following page on a PC or mobile device.: [www.Frontiersmart.com/privacy](http://www.Frontiersmart.com/privacy)

### 5.10 Backlight / display

Time out: on, 10, 20, 30, 45, 60, 90, 120, 180sec

High, Medium and Low are available for the On level.

High, medium, low and Off are available for the dim level.

### 5.11 Line output setup

Select Yes or No for the music output to confirm whether the music output is allowed or not.

For Local Speakers, select Yes or No to turn the sound on or off or not.

## 6. INTERNET RADIO

The radio can play thousands of radio stations and podcasts from around the world over a broadband internet connection.

Note: **The station list** menu is provided via the Internet radio portal and is therefore only available when the radio is connected to the Internet. Station lists and submenus change from time to time.

### 6.1 Country

Represents a submenu to search for stations in different categories, Select the desired category and either a further list of sub-categories is displayed or (if there are no further sub-categories) the available stations for the selected category are listed.

### 6.2 History

The station last listened to is selected once restarted Internet radio mode. Select Menu> Station List> History to select different recently used station.

### 6.3 Search: Search Internet broadcasts for stations whose title contains certain keywords.

### 6.4 Location

Select a continent from the menu and a list of the available countries will be displayed. Select a radio station from the list to tune in to that station.

### 6.5 Popular

Presents a list of the most popular internet broadcasters from around the world.

### 6.6 Discover

Allows you to choose from a list of channels defined either by origin (worldwide / country), genre (music style) or language. To view the list, select the option that shows the number of stations available.

### 6.7 Now playing information

Name/ description / artist and track info (if available) are displayed on the screen while playing. Press Info to step through the following details: Slogan (standard; if available); Language / place; Codec and sample rate; Playback buffer; Today's date etc



## 7. Podcasts

In podcast mode, the radio contacts the provider's portal for a list of available podcasts.

Note: The podcast menu is provided via the podcast portal and is therefore only available if the radio is connected to the Internet. Podcast lists and submenus change from time to time.

### 7.1 Country

Select the desired category and either another list of subcategories will be displayed or (if there are no further subcategories) the available podcasts for the selected category will be listed.

### 7.2 Search

Search podcasts with specific keywords in the title. Select a program from the list.

### 7.3 Location / place / country

Select a continent from the menu and a list of the available countries will be displayed. Select a country and the available podcasts will be displayed.

### 7.4 Discover

Choose from a list of podcasts defined either by origin (country), genre (music style) or language.

## 8. SPOTIFY CONNECT Spotify<sup>®</sup>

Use your phone, tablet or computer as a remote control for Spotify.

Go to [spotify.com/connect](http://spotify.com/connect) to learn how.

The Spotify Software is subject to third party licenses found here:

<http://www.spotify.com/connect/third-party-licenses>

## 9. DAB +

The DAB radio mode receives DAB / DAB + digital radio and displays information on the station, stream and track playback.

### 9.1 Station list

First time in DAB radio mode or if the station list is empty, the radio will automatically perform a full scan to see which stations are available.

Select Menu> Station list and press the Navigation button. Scroll the rotary control to select the station you want to listen to. Stations can be saved and called up as described in section 4.4.

#### 9.1.2 Scan

Press Scan to start scanning, once the scan is completed, the radio will display a list of available stations.

#### 9.1.3 Manual Tune: The manual tuning menu option to select a specific channel and view the signal strength for that channel.

#### 9.1.4 Remove stations

To remove stations that are listed but not available, select Menu> Purge Invalid.

#### 9.1.5 Dynamic range compression (DRC)

Some DAB + broadcasts offer DRC (Dynamic Range Compression). To change the radio DRC setting, select DRC high, DRC low, or DRC.

Note: The radio DRC setting has no effect if the broadcast does not contain DRC data.

#### 9.1.6 Station order

To change the station order, select Menu> Station Order> then select Alphanumeric or Ensemble

#### 9.2 Now playing / what's going on

Press Info, information will be shown which includes the DLS text, program type, ensemble name / frequency, signal strength / error rate, bit rate / codec / channels, today's date and DL Plus (if available) cycle through.

#### 9.3 Slideshow

Press the navigation knob to scroll through the different display options if a slide show is available (depending on the broadcast signal).

## 10. FM

The FM radio mode receives analog radio from the FM band and displays RDS (Radio Data System) information about the station and broadcast.

#### 10.1 Select station

Press Scan, the frequency display begins to scroll as the radio scans the FM band. Stations can be saved and called up as described in section 4.4.

#### 10.2 Now playing / what's going on

While an FM station is playing, display one of the following two set of data:

If RDS information is available, it will default to the service name (i.e. the station name). Scroll through more RDS information by pressing Info: the RDS radio text, RDS program type, frequency, and today's date.

If no RDS information is available, the currently set frequency is displayed.

#### 10.3 Settings

##### Scan settings

By default, FM scans stop on any available station. To change the scan setting to stop only on stations with good signal strength, select Menu> Scan Settings> Strong Stations Only? > Yes

##### Audio settings

By default, all stereo stations are reproduced in stereo. With weak transmitters, this can lead to a poor signal-to-noise ratio (noise). To play weak stations in mono, select Menu> Audio settings> Weak FM reception: only hear in mono> Yes.

## 11. CD

The CD menu offers the following options:

Random / Shuffle (Off / On)

Repeat (Off / Repeat / Repeat All)

In CD mode: "Loading ..." will appear on the CD function screen, followed by "Reading", "No Disc".

Press the eject button on the radio, insert your CD and the drive will accept the CD into the system for playback. The first song on the CD will now be played and shows the playing time.

Use the forward or backward buttons on the radio or remote control to switch between tracks. Pause / play with the button on the radio or on the remote control to play or pause.

To skip backwards / forwards while playing a song, press and hold the previous or next button on the remote control and release it when you want to stop skipping.

### **Program**

While the CD is playing, press the "Stop" button. You can program the CD player to play tracks in a specific order. Simply press the "Program" button on the remote control to enter the programming status. The star symbol is displayed. In the program settings, the display shows T001 to show the first track on the CD as P01. You can now select which title you want as program number P01 by using the "<<" and ">>" buttons to scroll to the title you want to select. Once you have found the song you selected for P01, press "Program" and choose your next programmed song. For the next song, the display shows T002 to indicate program 2. Now use the "<<" and ">>" buttons to scroll to the song you want to select. Once you have selected the program you selected for program 2, press "Program" and select your next programmed track. After you have completed the program song selection, press the Play / "Pause" button to play the programmed songs. If program play is on, press the stop button twice to exit program play mode and return to CD play.

### **Not all CDs can be used.**

DO NOT USE Mini CDs (8 cm). Only use full-size 12cm disc. Mini-CDs block the feed mechanism.

## 12. USB

In USB mode, audio is played from an external source such as an MP3 player.

Shuffle / Random (Off / On)

Repeat (Off / Repeat / Repeat All)

## 13. AUX IN

Function: To set up the playing mode for external audio program. Connect the external audio source to the Aux-IN. Adjust the volume of the radio (and audio source device if necessary) as required.

## 14. BLUETOOTH

The radio's Bluetooth name is Tangent Radio Fem. On your bluetooth smart device (phone / tablet), make sure bluetooth is turned on and search for the device. Select the radio from the list of available Bluetooth devices.

Pause, play, skip to the next track and skip to the previous track (in the playlist of the controlling Bluetooth device) using the buttons available on the radio.

## 15. ALARM AND SLEEPTIMER

### 15.1 **Sleeptimer**

Sleep OFF, 15 minutes, 30 minutes, 45 minutes, 60 minutes, 90 minutes, or 120 minutes.

Note: A sleep time is automatically canceled when the radio is switched to standby mode.

### 15.2 **Alarm Alarm**

Select the alarm number (1 or 2) and configure the following parameters:

Activate: Off, Daily, Once, Weekend or Weekday

Time: 12:00 p.m. (adjust as required)

Date: (adjust as needed - this option is normally hidden and only required if "Once" is selected in the "Activate" field.)

Mode: Buzz, Internet radio, DAB or FM

Default setting: Last volume or Volume: 1-32

To save these settings and set the alarm, scroll down and select Save.

Note: The alarm will sound at the set time. To turn it off temporarily, press Navigation button. Press Navigation button repeatedly to cycle through the available snooze periods: 5 minutes, 10 minutes, 15 minutes, and 30 minutes. Press Standby to cancel an alarm or a sleep alarm.

## 16. UNDOK APP

The device offers network functionality via smartphone or tablet in the iOS or Android system.

By downloading the app called UNDOK. Before using the UNDOK app, make sure that the device and the smartphone / tablet are on the same WiFi network.

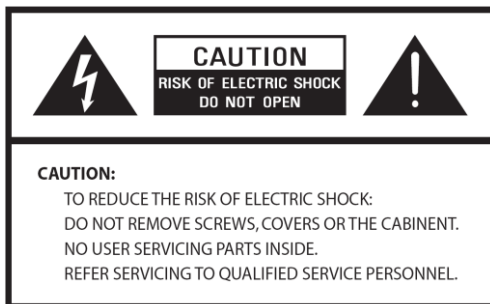
NOTE: If another smartphone / tablet with the app in the same network has access to the device, the original connection will be interrupted.

## 17. SPECIFICATION

<b>Model number</b>	Tangent Radio Fem
Description	Internet radio/FM/DAB+/CD/BT/USB/AUX/Spotify
Display	3.2" TFT colour display
Supported network	WiFi IEEE 802.11b/g/n wireless; Bluetooth (BT 5.0, Supports A2DP, AVRCP profiles)
Frequencies	WiFi: 2.400 - 2.4835 GHz; Bluetooth: 2.4GHz - 2.48 GHz
Encryption	WEP, WPA, WPA2 (PSK), WPS
CD Player	Supports CD, CD-R, CD-RW
Supported formats (CD)	CD-DA, MP3, WMA (up to 48kHz, 384kbps)
Supported formats: (Streaming, USB)	MP3 (up to 320 kbit/s), WMA (up to 384 kbit/s), WAV (up to 1.536 mbit/s), AAC/AAC+ (up to 96kHz, 24bit), FLAC (up to 48kHz, 24bit)
DAB / DAB+	Band III (174.928 – 239.200 MHz)
FM	87.5 – 108.0 MHz, support RDS
Power supply	100-240V – 50/60Hz 15VDC - 3A
Remotecontrol batteries	2 x 1.5V AAA battery
Operating temperatur	0 °C - 35 °C
output power	2x20Watt RMS
Connections	DC IN, AUX-IN, LINE OUT, USB
size	430x230x148mm (B x T x H)
Weight net	4,5 kg

Reserved rights to technical changes without notice.

## Important Safety Instructions



1. Read these instructions.
2. Keep these Instructions.
3. Heed all Warnings.
4. Follow all instructions.
5. Do not use the speaker near water.
6. Clean only with dry cloth.

**WARNING: TO REDUCE THE RISK OF FIRE OR ELECTRIC SHOCK, DO NOT EXPOSE THIS SPEAKER TO RAIN OR MOISTURE.**

To reduce the risk of electrical shock, fire, etc.:

1. Do not place unit near any heat source such as radiators, heat registers, stoves, or other apparatus (including amplifiers) that produce heat.
2. Do not block any ventilation openings of unit.
3. The unit shall not be exposed to dripping or splashing and no objects filled with liquids, such as vases, shall be placed on the unit.
4. Do not place any heavy loads onto the unit, and do not step on it, the load may fall and cause serious injury to the unit.
5. Please read Rating Labels at the back of unit for power input and other safety information.
6. This unit is intended to be used only with the power supply provided.
7. Protect the power cord from being walked on or pinched particularly at the plugs, convenience receptacles, and at any point where they exit from the unit.
8. Never unplug your unit by pulling on the power cord. Always grasp the plug firmly and pull straight out from the outlet.
9. Repair or replace all electric service cords that have become frayed or otherwise damaged immediately. Do not use a cord that shows cracks or abrasion damage along its length, the plug, or the connector end.
10. To prevent fire or shock hazard, do not use this plug with an extension cord or other outlet unless the blades can be fully inserted to prevent blade exposure.
11. To prevent fire or shock hazard, do not expose unit to rain or moisture.
12. During lightning or raining days, unplug the unit for additional protection during thunderstorms or when the unit is not used for prolonged periods. This will prevent damage to the unit from lightning and power surges.
13. Do not attempt to carry out any service work yourself. By opening or removing the cabinet, you may be exposed to dangerous voltage or other hazards. Any service work should be carried out by qualified technicians.
14. The battery of remote control shall not be exposed to excessive heat such as sunshine, fire or the like.
15. Danger of explosion if battery is incorrectly replaced. Replace only with the same or equivalent type.
16. In the interests of safety and to avoid unnecessary energy consumption, never leave the unit switched on while unattended for long periods of time, e.g. overnight, while on holiday or while out of the house. Switch it off and disconnect the mains plug from the mains socket.

# Tangent Radio Fem



Internet Radio - DAB+/DAB/FM Radio - CD-afspiller – Bluetooth – USB - Spotify

**Brugermanual**



## Introduktion

Pak forsigtigt radioen ud af kassen. Det kan være en god ide at opbevare emballagen til fremtidig brug.

### Hvad du kan finde inde i din pakke

1. Hovedenhed
2. Strømadapter
3. Fjernbetjening fjernbetjening
4. Brugsanvisning

### Placering af din radio

Placer din radio på en flad / stabil overflade, der ikke er udsat for vibrationer.

Undgå følgende placeringer:

- Hvor radioen vil blive udsat for direkte sollys.
- Hvor radioen vil være tæt på varmestrålende kilder.
- Hvor luftfugtigheden er høj og ventilationen er dårlig.
- Hvor det er støvet.
- Hvor det er fugtigt, eller der er mulighed for vand dryp eller sprøjt på enheden.

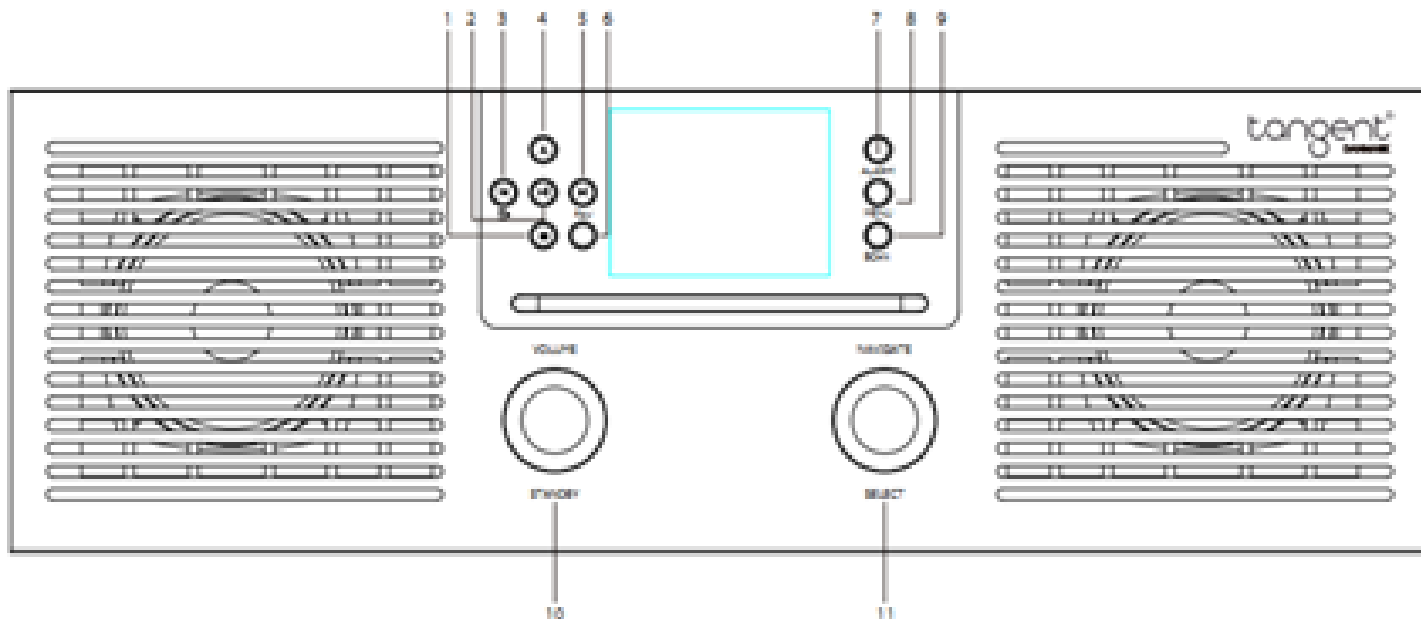
### Justering af antennen

Udvid antennen for at sikre, at du får den bedst mulige modtagelse i både DAB- og FM-radiotilstand. Det kan være nødvendigt at justere radio- og/eller antennens position for at opnå det bedste signal.

### Slå enheden til/fra

Tilslut stikket for enden af strømforsyningskablet til **DC IN-stikket** på bagsiden af enheden. Sæt derefter strømforsyningen i stikkontakten. Tryk på TÆND/sluk-knappen for at tænde eller standby. Hvis du vil slukke for enheden helt, skal du tage strømforsyningen ud af stikkontakten.

# 1. Oversigt



- 1. ■ Tryk på for at stoppe afspilning af cd'er i cd-tilstand
- 2. ▶|| Afspil/afbryd midlertidigt
- 3. ◀ Spol frem (cd-tilstand) & Drej til venstre / tilbage, Forrige knap
- 4. ▲ Skub cd'en ud
- 5. ▶ Hurtigt bagud (brug i cd-tilstand) & Drej til højre/fremad, **knappen Næste**
- 6. FavFor at gemme og tage radiostationerne ud
- 7. AlarmSet alarmer (Alarm 1 & Alarm 2)
- 8. MenuShow-menuen for den aktuelle tilstand (tryk længe ind i Menu, tryk på Oplysninger)
- 9. ScanScanning i DAB- og FM-tilstande

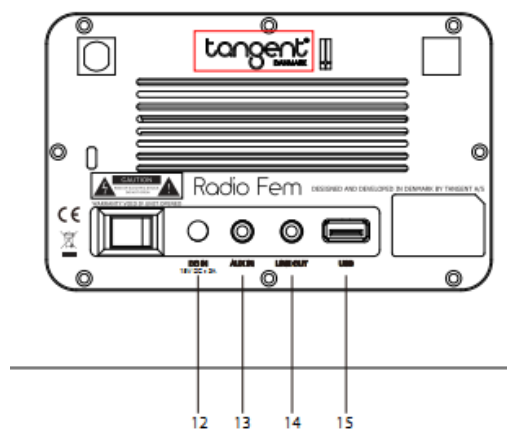
## 10. Lydstyrke/standbyknap

Tryk på for at slå Roter drejeknap til for at justere lydstyrken, når du spiller. Når du spiller, press for at gå ind i menuen i tilstand (toggle mellem de forskellige tilstande med navigeringsknap). Longpress for at slukke (standby).

## 11. Naviger/vælg knappen

Roter knappen for at navigere og vælge. Tryk på knappen for at bekræfte, hvornår det er nødvendigt.

- 13. DC IN SocketInput for powersupply
- 14. AUX IN SocketInput til 3,5 mm AUX-kabel
- 15. Line out 3,5 mm til ekstern højttaler
- 16. USB-port Afspil USB-musik eller opdateringssoftware



## 2. Fjernbetjening

1. Standby
2. Gentag
3. EQ
4. Stop
5. Ryg/bagside
6. Mode
7. Venstre markør
8. Volumen -
9. Skub cd ud
10. Sleeptimer
11. Program
12. Fremad / næste spor
13. Info
14. Markøren op
15. Menu / tilbage i menuen
16. Højre markør
17. OK und Play/Pause
18. Volumen +
19. Markøren ned
20. Breve
21. Favorits
22. Mute



## 3. FIRST TRIN

Før drift skal du sørge for, at den spænding, der er angivet på strømforsyningen, svarer til spændingen i dit hus.

Brug den medfølgende adapter til at tilslutte radioen til en stikkontakt.

Når enheden er tændt første gang, starter installationsguiden automatisk.

### 3.1 Guiden Installation

Databeskyttelsesretningslinjerne synes at være helt i begyndelsen. Scroll disse ned med navigationsknappen og bekræfte ved at trykke på navigationsknappen. Derefter vises installationsguiden.

Når du har kørt gennem installationsguiden for at konfigurere dato-/klokkeslæts- og netværksindstillinger, er systemet klar til brug i de fleste tilstande. Hvis du vil køre installationsguiden igen, skal du vælge Menu> Systemindstillinger> guiden Installation.

## 4. DRIFT

### 4.1 Mode

Vælg en tilstand i hovedmenuen ved at rotere navigationsknappen , og tryk på Navigationsknappen for at bekræfte. Efter et kort øjeblik skifter radioen til denne tilstand. Den sidste station eller det sidste spor, der tidligere blev brugt i denne tilstand, er valgt. Hvis dette ikke er muligt, søger radioen efter relevante stationer, netværk eller beder brugeren om input.

### 4.2 Navigation i menuen

Hovedmenuen tilbyder en alternativ metode til valg af lyttetilstande samt slumre- og alarmfunktioner og en endelig mulighed: Systemindstillinger> ">" angiver indstillinger, der fører til yderligere menuer.

### 4.3 Tekstelement

Skærbilledet dataindtastning viser alle tilgængelige tegn og kommandofunktioner i en endeløs løkke. Roter knappen for at rulle gennem løkken efter behov. Tryk på navigationsknappen for at vælge det aktuelt fremhævede tegn. Select BKSP (Backspace) mulighed for at fjerne det sidste tegn. Select navigationsknap for at indtaste søgeord eller adgangskode, når det er gjort. Vælg ANNULLER for at afslutte inputskærmen.

### 4.4 Forudindstillede knapper

Op til 40 forudindstillede stationer kan gemmes og kaldes op i hver DAB, FM og Internet radio mode. Hvis du vil gemme den aktuelle station som en favorit, skal du trykke på FAV og holde nede, indtil Gem vises på displayet, vælge en af de 40 stationspladser for at gemme den aktuelt afspillede station og trykke på Navigationsknappen for at bekræfte. Hvis du vil vælge en favorit, skal du kort trykke på FAV og vælge en af de angivne forudindstillede stationer. Når en forudindstillet station afspilles, vises dens forudindstillede tal, stjernesymbol + nummer, nederst på skærmen.

## 5. SYSTEMINDSTILLINGER

### 5.1 Equalizer

Hvis du vil vælge en EQ-indstilling, skal du vælge Menu> Systemindstillinger> Equalizer, hvor der er flere foruddefinerede EQ-indstillinger tilgængelige, også en brugerdefineret indstilling (Min EQ). To definere dine egne indstillinger for "My EQ" mulighed med brugerdefinerede indstillinger for bas og diskant.

### 5.2 Netværk

#### 5.2.1 Guiden Netværk

##### Vælg et netværk

Når netværksguiden er valgt, søger radioen automatisk efter tilgængelige trådløse netværk og viser en liste over SID'er (Service Set Identifiers) for netværkene, vælg et netværk på listen.

##### Åbn netværk

Hvis netværket er åbent (ukrypteret), oprettes der en trådløs forbindelse, og der kræves ingen yderligere oplysninger.

##### Encrypted netværk

Hvis det trådløse netværk er beskyttet, vises der indstillinger for indtastning af netværksnøglen eller adgangsudtrykket på det næste skærbillede.

## Afslutning af netværk

Radioen opretter forbindelse til det valgte netværk. Hvis forbindelsen mislykkes, vender radioen tilbage til et tidligere skærmbillede, så du kan prøve igen. Hvis netværksforbindelsen går tabt, opretter radioen automatisk forbindelse igen.

### 5.2.2 PBC Wlan setup / WPS (Wi-Fi beskyttet opsætning)

Radioen beder dig om at trykke på forbindelsesknappen på routeren og derefter trykke på Navigationsknappen.

**5.2.3 Visningsindstillinger:** Viser indstillingsdetaljer: Aktive forbindelser / MAC-adresse / WiFi-område / DHCP / SSID / IP-adresse / Undernetmaske / Gateway-adresse / Primær DNS / Sekundær DNS

**5.2.4 Manuelle indstillinger:** Vælg mellem DHCP aktiveret /deaktiveret

**5.2.5 NetRemote PIN-installation:** Angiv et pinkode, der skal indtastes, før du kan oprette fjernforbindelse til radioen via et netværk

**5.2.6 Netværksprofil:** Dette viser en liste over de netværk, radioen vil huske (højst 4).

**5.2.7 Slet alle netværksindstillinger:** Denne indstilling fjerner de aktuelle netværksindstillinger.

**5.2.8 Hold netværket tilsluttet:** Netværket bevares i andre tilstande uden for internetradioen eller i standby.

## 5.3 Klokkelæt /dato

### 5.3.1 Angiv klokkelæt/dato

Dato og klokkelæt vises som DD-MM-YYYY, hvor den første værdi DD er aktiv (blinker). Juster hver værdi med controlleren. Når hver værdi er indstillet ved at trykke på knappen, bliver den næste værdi aktiv og kan indstilles.

### 5.3.2 Automatisk opdatering (fra DAB, FM eller Netværk) :

Vælg Opdater fra DAB, Opdater fra FM, Opdater fra netværk eller Ingen opdatering.

**5.3.3 Indstilling af formatet** : 12 timer / 24 timer

**5.3.4 Indstilling af tidszonen:** Vælg den tidszone, du befinder dig i

**5.3.5 Sommertid** : Turn sommertid slukket og igen.

**5.4 Language:** Standardsproget er engelsk. Select Menu> Systempræferencer> sprog> dansk, Nederlands, Suomi, Francais, Deutsch, Italiano, Norsk, Polski, Portugues, Espanol, Svenska, Turkce

**5.5 Nulstilling af fabrik:** Vælg Menu> Systemindstillinger> Nulstil fabrik > Fortsæt, Ja. (alle brugerindstillinger nulstilles til standardværdierne)

## 5.6 Softwareopdatering

Alle brugerindstillinger bevares efter en softwareopgradering.

**FORSIGTIG:** Før du starter en softwareopgradering, skal du sikre dig, at radioen er tilsluttet en stabil strømforsyning. Hvis du afbryder strømforsyningen under softwareopdateringen, kan enheden blive beskadiget permanent.

## Guiden Installation af 5.7

**5.7.1.** Angiv dato- og klokkelætsformatet.

**5.7.2.** Automatisk opdatering – Vælg uopdateringskilden eller Ingen opdatering.

**5.7.3.** Angive tidszonen

**5.7.4.** Sommertid

**5.7.5.** Holde netværket tilsluttet? Ja eller nej.

**5.7.6.** Netværksguiden kører automatisk (se afsnit 5.2.1 Network).

## 5.8 Info

Viser oplysninger om det aktuelle system, herunder:

SW-version: softwareversionsnummer

Spotify Version: versionsnummer

Radio-id: Entydig kode, der identificerer denne radio

Fuldt navn: Navn, der bruges til at identificere radioen på netværket

## 5.9 Privatlivspolitik

Viser en privatlivspolitik, der tager dig til vores hjemmeside for at få alle oplysninger om Frontier Smart Technologies' privatlivspolitik:

Besøg følgende side på en pc eller mobilenhed. : [www.Frontiersmart.com/privacy](http://www.Frontiersmart.com/privacy)

## 5.10 Baggrundsbelysning/skærm

Timeout: på, 10, 20, 30, 45, 60, 90, 120, 180sec

Høj, mellem og lav er tilgængelige for On-niveauet.

Høj, medium, lav og Off er tilgængelige for det dunkle niveau.

### Opsætning af linjeafgang 5.11

Vælg Ja eller Nej for musikoutputtet for at bekræfte, om musikoutputtet er tilladt eller ej.

For Lokale højttalere skal du vælge Ja eller Nej for at slå lyden til eller fra eller ej.

## 6. INTERNETRADIO

Radioen kan afspille tusindvis af radiostationer og podcasts fra hele verden over en bredbåndsinternetforbindelse.

Bemærk: **Stationslistemenuen** leveres via internetradioportalen og er derfor kun tilgængelig, når radioen har forbindelse til internettet. Stationslister og undermenuer ændres fra tid til anden.

### 6.1 Land

Repræsenterer en undermenu, hvor du vil søge efter stationer i forskellige kategorier, Vælg den ønskede kategori, og enten vises en yderligere liste over underkategorier, eller (hvis der ikke er flere underkategorier) vises de tilgængelige stationer for den valgte kategori.

### 6.2 Historie

Den station, der sidst blev lyttet til, er valgt, når internetradiotilstanden er genstartet. Select Menu> Station List> Oversigt til at vælge forskellige nyligt anvendte station.

**6.3 Søg:** Search Internet udsendelser for stationer, hvis titel indeholder visse søgeord.

### 6.4 Beliggenhed

Vælg et kontinent i menuen, og der vises en liste over de tilgængelige lande. Vælg en radiostation på listen for at stille ind på den pågældende station.

### 6.5 Populært

Præsenterer en liste over de mest populære internet-tv-stationer fra hele verden.

### 6.6 Oplev

Giver dig mulighed for at vælge fra en liste over kanaler defineret enten efter oprindelse (over hele verden / land), genre (musikstil) eller sprog. Hvis du vil have vist listen, skal du vælge den indstilling, der viser antallet af tilgængelige stationer.

### 6.7 Spiller nu information

Name / beskrivelse / kunstner og track info (hvis tilgængelig) vises på skærmen, mens du spiller. Tryk på Oplysninger for at gennemgå følgende oplysninger: Slogan (standard, hvis det er tilgængeligt); Sprog/sted; Codec og eksempelhastighed; Afspilningsbuffer; Dags dato osv.

## 7. Podcasts

I podcast-tilstand kontakter radioen udbyderens portal for at få en liste over tilgængelige podcasts.

Bemærk: Podcastmenuen leveres via podcastportalen og er derfor kun tilgængelig, hvis radioen har forbindelse til internettet. Podcastlister og undermenuer ændres fra tid til anden.

### 7.1 Land

Vælg den ønskede kategori, og enten vises en anden liste over underkategorier, eller (hvis der ikke er yderligere underkategorier) vises de tilgængelige podcasts for den valgte kategori.

### 7.2 Søg

Search podcasts med specifikke søgeord i titlen. Vælg et program på listen.

### 7.3 Beliggenhed/sted/land

Vælg et kontinent på menu og en liste over de tilgængelige lande vil blive vist. Vælg et land, og de tilgængelige podcasts vises.

### 7.4 Oplev

Choose fra en liste over podcasts defineret enten efter oprindelse (land), genre (musisk stil) eller sprog.

## 8. SPOTIFY CONNECT



Brug din telefon, tablet eller computer som en fjernbetjening til Spotify.

Gå til [spotify.com/connect](http://spotify.com/connect) for at lære, hvordan du gør.

Spotify-softwaren er underlagt tredjepartslicenser, der findes her:

<http://www.spotify.com/connect/third-party-licenses>

## 9. DAB +

DAB radiotilstand modtager DAB / DAB + digital radio og viser information om stationen, stream og spor afspilning.

### 9.1 Stationsliste

Første gang i DAB-radiotilstand, eller hvis stationslisten er tom, udfører radioen automatisk en fuld scanning for at se, hvilke stationer der er tilgængelige.

Select Menu> Station liste og tryk på navigationsknappen . Rul i rotationskontrolelementet for at vælge den station, du vil lytte til. Stationer kan gemmes og kaldes op som beskrevet i afsnit 4. 4.

#### 9.1.2 Scan



Tryk på Scan for at starte scanningen, og da scanningen er fuldført, viser radioen en liste over tilgængelige stationer.

**9.1.3 Manuel melodi:** Den manuelle indstilling til indstilling af menukortet for at vælge en bestemt kanal og se signalstyrken for den pågældende kanal.

#### **9.1.4 Fjernstationer**

Hvis du vil fjerne stationer, der er angivet, men ikke tilgængelige, skal du vælge Menu> Udrensning er ugyldig.

#### **9.1.5 Dynamisk områdekomprimering (DRC)**

Nogle DAB + udsendelser tilbyder DRC (Dynamic Range Compression). Hvis du vil ændre indstillingen for radio-DRC, skal du vælge DrC high, DRC low eller DRC.

Bemærk: Indstillingen for radio-DRC har ingen effekt, hvis udsendelsen ikke indeholder data fra DRC.

#### **9.1.6 Stationsorden**

Hvis du vil ændre stationsrækkefølgen, skal du vælge Menu> Stationsordre> derefter vælge Alfanumerisk eller Ensemble

### **9.2 Spiller nu / hvad sker der**

Press Info, oplysninger vil blive vist, som omfatter DLS tekst, programtype, ensemble navn / frekvens, signalstyrke / fejlrate, bithastighed / codec / kanaler, dagens dato og DL Plus (hvis tilgængelig) cyklus igennem.

### **9.3 Diasshow**

Tryk på navigationsknappen for at rulle gennem de forskellige visningsindstillinger , hvis et diasshow er tilgængeligt (afhængigt af udsendelsessignalet).

## **10. FM**

FM-radiotilstanden modtager analog radio fra FM-båndet og viser RDS-oplysninger (Radio Data System) om stationen og udsendelsen.

### **10.1 Vælg station**

Tryk på Scan, frekvensvisningen begynder at rulle, når radioen scanner FM-båndet. Stationer kan gemmes og kaldes op som beskrevet i afsnit 4. 4.

### **10.2 Spiller nu / hvad sker der**

Mens en FM-station afspilles, skal du vise et af følgende to sæt data:

Hvis RDS-oplysninger er tilgængelige, vil de som standard være tjenestenaavnet (dvs. stationsnavnet). Scroll gennem flere RDS-oplysninger ved at trykke på Oplysninger: RDS-radioteksten, RDS-programtypen, hyppigheden og dags dato.

Hvis der ikke er nogen tilgængelige RDS-oplysninger, vises den aktuelt indstillede frekvens.

### **Indstillinger for 10.3**

#### **Indstillinger for scanning**

FM-scanninger stopper som standard på alle tilgængelige stationer. Hvis du vil ændre scanningsindstillingen, så den kun stopper på stationer med god signalstyrke, skal du vælge Menu> Scanindstillinger> Kun stærke stationer? > Ja?

#### **Indstillinger for lyd**

Som standard er alle stereostationer gengivet i stereoanlæg. Med svage sendere kan dette føre til et dårligt signal-til-støj-forhold (støj). Hvis du vil afspille svage stationer i mono, skal du vælge Menu> Lydindstillinger> Svag FM-modtagelse: Hør kun i mono> Ja.

## 11. CD

Cd-menuen indeholder følgende indstillinger:

Tilfældig / Shuffle (Slået fra / Til)

Gentag (Fra/Gentag/gentag alle)

I cd-tilstand: "Indlæser ..." vises på cd-funktionsskærmen efterfulgt af "Læsning", "Ingen disk".

Press skubbe knappen på radioen, indsætte cd'en og drevet vil acceptere cd'en i systemet til afspilning. Den første sang på cd'en afspilles nu og viser spilletiden.

Brug frem eller tilbage knapperne på radioen eller fjernbetjeningen til at skifte mellem spor. Sæt /spil midlertidigt med knappen i radioen eller på fjernbetjeningen for at afspille eller holde pause.

Hvis du vil springe frem og tilbage, mens du spiller en sang, skal du trykke på og holde den forrige eller næste knap på fjernbetjeningen nede og slippe den, når du vil stoppe med at springe over.

### Program

Mens cd'en afspilles, skal du trykke på knappen "Stop". Du kan programmere cd-afspilleren til at afspille numre i en bestemt rækkefølge. Du skal blot trykke på knappen "Programmer" på fjernbetjeningen for at angive programmeringsstatus. Stjernesymbolet vises. I programindstillingerne viser displayet T001 for at vise det første spor på cd'en som P01. Du kan nu vælge, hvilken titel du vil have som programnummer P01, ved hjælp af knapperne "<<" og ">>" for at rulle til den titel, du vil vælge. Når du har fundet den sang, du har valgt til P01, skal du trykke på "Program" og vælge din næste programmerede sang. Til den næste sang viser displayet T002 for at angive program 2. Brug nu knapperne "<<" og ">>" til at rulle til den sang, du vil vælge. Når du har valgt det program, du har valgt til program 2, skal du trykke på "Program" og vælge det næste programmerede spor. Når du har gennemført programsangvalget, skal du trykke på knappen Afspil / "Pause" for at afspille de programmerede sange.

Hvis programafspilningen er tændt, skal du trykke på stopknappen to gange for at afslutte programafspilningstilstanden og vende tilbage til cd-afspilning.

### Ikke alle cd'er kan bruges.

BRUG IKKE mini-cd'er (8 cm). Brug kun 12 cm disk i fuld størrelse. Mini-cd'er blokerer fodermekanismen.

## 12. USB

I USB-tilstand afspilles lyd fra en ekstern kilde, f.eks.

Shuffle / Random (Slået til / Til)

Gentag (Fra/Gentag/gentag alle)

## 13. AUX I

Funktion: Sådan konfigureres afspilningstilstanden for externa-lydprogrammet. Tilslut den eksterne lydkilde til Aux-IN. Juster radioens (og lydkildeenhedens lydstyrke, hvis det er nødvendigt).

## 14. BLUETOOTH

Radioens Bluetooth navn er Tangent Radio Fem. På din bluetooth-smartenhed (telefon /tablet) skal du sørge for, at Bluetooth er tændt, og søg efter enheden. Vælg radioen på listen over tilgængelige Bluetooth-enheder.

Pause, spille, gå til det næste spor og springe til det forrige spor (i afspilningslisten på den styrende Bluetooth-enhed) ved hjælp af knapperne tilgængelige på radioen.

## 15. ALARM OG SLEEPTIMER

### 15.1 Sleptimer

Sleep OFF, 15 minutter, 30 minutter, 45 minutter, 60 minutter, 90 minutter eller 120 minutter.

Bemærk: En søvntid annulleres automatisk, når radioen skiftes til standbytilstand.

### 15.2 Alarmalarm

Vælg alarmnummeret (1 eller 2), og konfigurer følgende parametre:

Aktiver: Fra, Dagligt, En gang, Weekend eller Ugedag

Tid: 12:00 .m. (juster efter behov)

Dato: (juster efter behov - denne indstilling er normalt skjult og kun påkrævet, hvis "En gang" er valgt i feltet "Aktiver".

Tilstand: Buzz, Internet radio, DAB eller FM

Standardindstilling: Sidste diskenhed eller diskenhed: 1-32

Hvis du vil gemme disse indstillinger og indstille alarmen, skal du rulle ned og vælge Gem.

Bemærk: Alarmen lyder på det indstillede tidspunkt. Tryk på Navigationsknappen for at slå den midlertidigt fra . Tryk på navigationsknappen gentagne gange for at bladre gennem de tilgængelige snoozeperioder: 5 minutter, 10 minutter, 15 minutter og 30 minutter. Tryk på Standby for at annullere en alarm eller en søvnalarm.

## 16. UNDOK-app

Enheden tilbyder netværksfunktionalitet via smartphone eller tablet i iOS- eller Android-systemet. Ved at downloade appen med navnet UNDOK

. Før du bruger UNDOK-appen, skal du sørge for, at enheden og smartphonen / tabletten er på det samme WiFi-netværk.

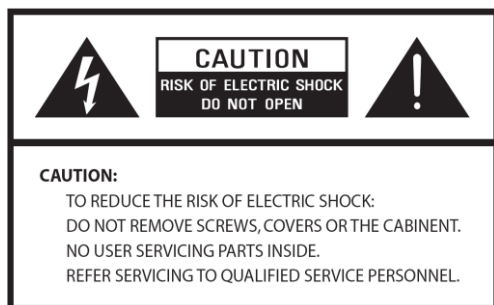
**BEMÆRK:** Hvis en anden smartphone / tablet med appen i samme netværk har adgang til enheden, afbrydes den oprindelige forbindelse.

## 17. SPECIFICATION

<b>Modelnummer</b>	Tangent Radio Fem
Beskrivelse	Internetradio/FM/DAB+/CD/BT/USB/AUX/Spotify
Vise	3,2" TFT-farvedisplay
Understøttet netværk	Trådløs WiFi IEEE 802.11b/g/n; Bluetooth (BT 5.0, understøtter A2DP, AVRCP-profiler)
Frekvenser	WiFi: 2.400 - 2.4835 GHz; Bluetooth: 2,4 GHz - 2,48 GHz
Kryptering	WEP, WPA, WPA2 (PSK), WPS
Cd-afspiller	Understøtter cd, cd-r, cd-rw
Understøttede formater (cd)	CD-DA, MP3, WMA (op til 48 kHz, 384kbps)
Understøttede formater: (Streaming, USB)	MP3 (op til 320 kbit/s), WMA (op til 384 kbit/s), WAV (op til 1,536 mbit/s), AAC/AAC+ (op til 96 kHz, 24bit), FLAC (op til 48 kHz, 24bit)
DAB / DAB+	Bånd III (174.928 – 239.200 MHz)
FM	87,5 – 108,0 MHz, understøtter RDS
Strømforsyning	100-240V – 50/60Hz 15VDC - 3A
Fjernkontrolbatterier	2 x 1,5 V AAA batteri
operating temperatur	0 oC - 35 °C
udgangseffekt	2x20Watt RMS
Connections	DC IND, AUX-IN, LINE OUT, USB
størrelse	430x230x148mm ( B x T x H)
Vægt netto	4,5 kg

Reserved rettigheder til technical ændringer uden varsel.

## Vigtige sikkerhedsinstruktioner



1. Læs denne vejledning.
2. Behold disse instruktioner.
3. Agt på alle advarsler.
4. Følg alle instruktioner.
5. Brug ikke højttaleren i nærheden af vand.
6. Rengør kun med tør klud.

**ADVARSEL: FOR AT REDUCERE RISIKOEN FOR BRAND ELLER ELEKTRISK STØD MÅ HØJTTALEREN IKKE UDSÆTTES FOR REGN ELLER FUGT.**

For at reducere risikoen for elektrisk stød, brand osv.:

1. Anbring ikke enheden i nærheden af varmekilder som radiatorer, varmeregistre, komfurer eller andre apparater (herunder forstærkere), der producerer varme.
2. Bloker ikke ventilationsåbninger af enheden.
3. Enheden må ikke udsættes for dryp eller sprøjt, og der må ikke anbringes genstande fyldt med væsker, såsom vaser, på enheden.
4. Anbring ikke tunge belastninger på enheden, og tråd ikke på den, belastningen kan falde og forårsage alvorlig skade på enheden.
5. Læs klassifikationsetiketter bag på enheden for strømindsang og andre sikkerhedsoplysninger.
6. Denne enhed er kun beregnet til at blive brugt sammen med strømforsyningen.
7. Beskyt netledningen mod at blive trådt på eller klemt især ved stik, bekvemmelighedsbeholdere og på ethvert sted, hvor de kommer ud af enheden.
8. Tag aldrig stikket ud af enheden ved at trække i netledningen. Tag altid godt fat i stikket, og træk lige ud af stikkontakten.
9. Reparer eller udskift alle elektriske serviceledninger, der er blevet flossede eller på anden måde beskadiget med det samme. Brug ikke en ledning, der viser revner eller slidskader langs dens længde, stikket eller stikafslutningen.
10. For at undgå brand- eller stødfare må du ikke bruge dette stik sammen med en forlængerledning eller en anden stikkontakt, medmindre knivene kan sættes helt ind for at forhindre klingeeksponering.
11. For at undgå brand- eller stødfare må enheden ikke udsættes for regn eller fugt.
12. I lyn- eller regnvejrsdage skal enheden trække stikket ud for yderligere beskyttelse under tordenvejr, eller når enheden ikke anvendes i længere perioder. Dette vil forhindre skader på enheden fra lyn og strømstød.
13. Forsøg ikke selv at udføre servicearbejde. Ved at åbne eller fjerne kabinettet kan du blive udsat for farlig spænding eller andre farer. Ethvert servicearbejde skal udføres af kvalificerede teknikere.
14. Fjernbetjeningen må ikke udsættes for overdreven varme som solskin, ild eller lignende.
15. Eksplosionsfare, hvis batteriet udskiftes forkert. Erstat kun med samme eller tilsvarende type.
16. Af hensyn til sikkerheden og for at undgå unødvendigt energiforbrug må enheden aldrig lade enheden være tændt, mens den er uden opsyn i længere tid, f.eks. natten over, mens den er på ferie eller mens den er ude af huset. Sluk den, og frakoble netstikket fra stikkontakten.

# Tangent Radio Fem



Radio Internet - Radio DAB+/DAB/FM - Lecteur CD – Bluetooth – USB - Spotify

**Manuel User**

## Commencer

Déballez soigneusement votre radio de la boîte. Vous voudrez peut-être stocker l'emballage pour une utilisation future.

### Ce que vous pouvez trouver à l'intérieur de votre colis

- Unité principale
- Adaptateur
- Télécommande
- Manuel

### Positionnement de votre radio

Placez votre radio sur une surface plane / stable qui n'est pas soumise aux vibrations.

Évitez les emplacements suivants :

- Où la radio sera exposée à la lumière directe du soleil.
- Où la radio sera proche des sources rayonnantes de chaleur.
- Lorsque l'humidité est élevée et que la ventilation est médiocre.
- Là où il est poussiéreux.
- Lorsqu'il fait humide ou qu'il y a une possibilité que de l'eau coule ou éclabousse sur l'unité.

### Réglage de l'antenne

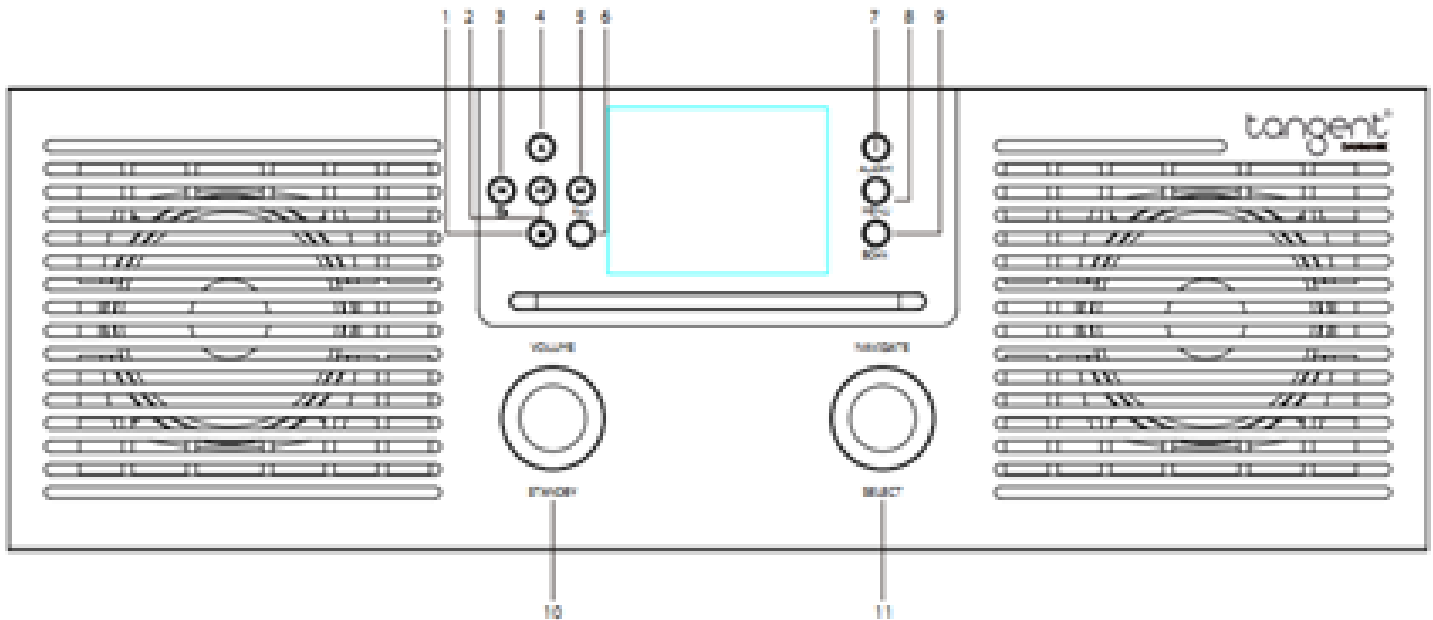
Étendez l'antenne pour vous assurer de recevoir la meilleure réception possible dans les modes radio DAB et FM. Il peut être nécessaire d'ajuster la position de la radio et /ou de l'antenne pour obtenir le meilleur signal.

### Allumer/éteindre l'appareil

Connectez la fiche à l'extrémité du câble de l'adaptateur secteur à la prise **DC IN** située à l'arrière de l'appareil. Insérez ensuite l'adaptateur secteur dans la prise secteur. Appuyez sur le bouton POWER pour allumer l'appareil ou le mettre en veille. Pour éteindre complètement l'appareil, débranchez l'adaptateur secteur de la prise secteur.



# 1. Aperçu



- 1. ■ Appuyez sur pour arrêter la lecture du CD en mode CD
- 2. ▶|| Lecture/Pause
- 3. ◀ Avance rapide (mode CD) & Tourner à gauche / retour, bouton **Précédent**
- 4. ▲ Éjection de CD
- 5. ▶ Retour rapide en arrière (utilisation en mode CD) & Tourner à droite / avant, **bouton Suivant**
- 6. Fav Pour enregistrer et retirer les stations de radio
- 7. Alarmes AlarmSet (Alarme 1 et Alarme 2)
- 8. Menu Afficher le menu pour le mode actuel (appuyez longuement sur Menu, appuyez sur Info)
- 9. Scan Scanning en modes DAB et FM

## 10. Bouton volume/veille

Appuyez pour activer / Ajustez le bouton pour régler le volume lors de la lecture. Lors de la lecture, vous pouvez entrer dans le menu du mode (basculez entre les différents modes avec le bouton de navigation). Appuyez longuement pour éteindre (veille).

## 11. Bouton Naviguer/Sélectionner

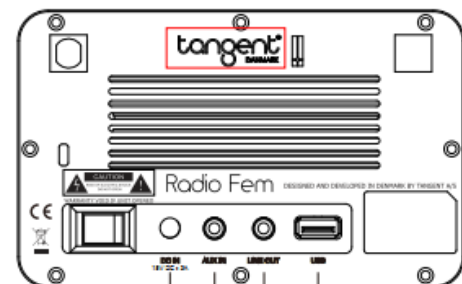
Faire pivoter le bouton pour naviguer et sélectionner. Appuyez sur le bouton pour confirmer en cas de besoin.

13. DC IN socket Input pour alimentation

14. Prise AUX IN Input pour câble AUX de 3,5 mm

15. Prise de sortie de ligne Output 3.5mm pour haut-parleur externe

16. Port USB Jouer de la musique USB ou mettre à jour l'



12 13 14 15

## 2. Télécommande

1. Veille
2. Répéter
3. EQ
4. Arrêter
5. Retour / piste arrière
6. Mode
7. Curseur gauche
8. Volume -
9. éjection de CD
10. Minuterie de sommeil
11. Programme
12. Piste avant / suivante
13. Infos
14. Curseur vers le haut
15. Menu / retour dans menu
16. Curseur droit
17. OK et Lecture/Pause
18. Volume +
19. Curseur vers le bas
20. Lettres
21. Favoris
22. Muet



## 3. ÉTAPES FIRST

Avant le fonctionnement, assurez-vous que la tension indiquée sur l'alimentation correspond à la tension de votre maison.

Utilisez l'adaptateur fourni pour connecter la radio à une prise domestique.

Lorsque l'appareil est allumé pour la première fois, l'assistant d'installation démarre automatiquement.

### 3.1 Assistant d'installation

Les directives en matière de protection des données apparaissent au tout début. Faites-les rouler vers le bas avec le bouton de navigation et confirmez en appuyant sur le bouton de navigation. Ensuite, l'assistant d'installation apparaît. Après avoir parcouru l'assistant d'installation pour configurer la date/heure et les paramètres réseau, le système est prêt à être utilisé dans la plupart des modes. Pour réexécuter l'assistant d'installation, sélectionnez Menu > Paramètres système > Assistant d'installation.

## 4. FONCTIONNEMENT

### 4.1 Mode

Sélectionnez un mode dans le menu principal en faisant pivoter le bouton de navigation et appuyez sur bouton de navigation pour confirmer. Après un court instant, la radio passe en mode. La dernière station ou voie précédemment utilisée dans ce mode est sélectionnée. Si cela n'est pas possible, la radio recherche les stations, les réseaux pertinents ou invite l'utilisateur à entrer.

### 4.2 Navigation dans les menus

Le menu principal offre une méthode alternative pour sélectionner les modes d'écoute ainsi que les fonctions de veille et d'alarme et une dernière option: Paramètres système> Le « > » indique les options qui mènent à d'autres menus.

### 4.3 Entrée textuelle

L'écran de saisie des données affiche tous les caractères et fonctions de commande disponibles dans une boucle sans fin. Faites pivoter le bouton pour faire défiler la boucle si nécessaire. Appuyez sur le bouton de navigation pour sélectionner le caractère actuellement mis en surbrillance. Sélectionnez l'option BKSP (Backspace) pour supprimer le dernier caractère. Bouton de navigation Select pour entrer les mots de recherche ou le mot de passe une fois terminé. Sélectionnez ANNULER pour quitter l'écran de saisie.

### 4.4 Boutons prédéfinis

Jusqu'à 40 stations prédéfinies peuvent être stockées et appelées dans chaque mode de radio DAB, FM et Internet. Pour enregistrer la station actuelle en tant que favorite, maintenez la touche FAV enfoncée jusqu'à ce que Save (Enregistrer) s'affiche, sélectionnez l'un des 40 emplacements de station pour enregistrer la station en cours de lecture et appuyez sur le bouton de navigation pour confirmer. Pour sélectionner un favori, appuyez brièvement sur FAV et sélectionnez l'une des stations prédéfinies répertoriées. Lorsqu'une station prédéfinie est en cours de lecture, son numéro prédéfini, symbole étoile + numéro, s'affiche en bas de l'écran.

## 5. PARAMÈTRES SYSTÈME

### 5.1 Égaliseur

Pour choisir un paramètre d'égalisation, sélectionnez Menu> Paramètres système> Égaliseur, plusieurs paramètres d'égalisation prédéfinis sont disponibles, ainsi qu'un paramètre personnalisé (Mon égaliseur). Définissez vos propres paramètres pour l'option « Mon égaliseur » avec des paramètres personnalisés pour les basses et les aigus.

### 5.2 Réseau

#### 5.2.1 Assistant réseau

##### Choix d'un réseau

Lorsque l'assistant réseau est sélectionné, la radio recherche automatiquement les réseaux sans fil disponibles et affiche une liste de SSID (Service Set Identifiers) pour les réseaux, sélectionnez un réseau dans la liste.

##### Réseau ouvert

Si le réseau est ouvert (non chiffré), une connexion sans fil est établie et aucun autre détail n'est requis.

##### Réseau crypté

Si le réseau sans fil est protégé, les options de saisie de la clé réseau ou de la phrase secrète apparaîtront sur l'écran suivant.

## Réseau d'achèvement

La radio se connecte au réseau sélectionné. Si la connexion échoue, la radio reviendra à un écran précédent pour que vous puissiez réessayer. Si la connexion réseau est perdue, la radio se reconnecte automatiquement.

### 5.2.2 Configuration WLAN PBC / WPS (Wi-Fi Protected Setup)

La radio vous invite à appuyer sur le bouton de connexion du routeur, puis sur le bouton de navigation.

### 5.2.3 Paramètres d'affichage: Affiche les détails des paramètres: Connexions actives / Adresse MAC / Région WiFi / DHCP / SSID / Adresse IP / Masque de sous-réseau / Adresse de passerelle / DNS principal / DNS secondaire

### 5.2.4 Paramètres manuels : Choisissez entre DHCP activé / désactivé

### 5.2.5 Configuration du code PIN NetRemote: définissez un code PIN qui doit être entré avant de pouvoir vous connecter à la radio à distance via un réseau

### 5.2.6 Profil du réseau: Cela affichera une liste des réseaux dont la radio se souviendra (maximum de 4).

### 5.2.7 Supprimer tous les paramètres réseau: cette option efface les paramètres réseau actuels.

### 5.2.8 Maintenir le réseau connecté: si le réseau est conservé dans d'autres modes en dehors de la radio Internet ou en veille.

## 5.3 Heure / Date

### 5.3.1 Définir l'heure / la date

La date et l'heure sont affichées sous la forme JJ-MM-AAAA, la première valeur JJ étant active (clignotante). Ajustez chaque valeur avec le contrôleur. Lorsque chaque valeur est définie en appuyant sur le bouton, la valeur suivante devient active et peut être définie.

### 5.3.2 Mise à jour automatique (à partir de DAB, FM ou Réseau):

Sélectionnez Mettre à jour à partir de DAB, Mettre à jour à partir de FM, Mettre à jour à partir du réseau ou Aucune mise à jour.

### 5.3.3 Réglage du format: 12 heures / 24 heures

### 5.3.4 Définition du fuseau horaire: Sélectionnez le fuseau horaire dans lequel vous vous trouvez

### 5.3.5 Heure d'été: Heure d'été intermittente.

### 5.4 Langage : La langue par défaut est l'anglais. Select Menu> Préférences Système> Langues> Anglais, Dansk, Nederlands, Suomi, Français, Deutsch, Italiano, Norsk, Polski, Portugues, Espanol, Svenska, Turkce

### 5.5 Réinitialisation d'usine : sélectionnez Menu> Paramètres système> Réinitialisation d'usine > Continuer, Oui. (tous les paramètres utilisateur sont réinitialisés aux valeurs par défaut)

## 5.6 Mise à jour logicielle

Tous les paramètres utilisateur sont conservés après une mise à niveau logicielle.

**ATTENTION** : Avant de démarrer une mise à niveau logicielle, assurez-vous que la radio est connectée à un bloc d'alimentation stable. La déconnexion de l'alimentation pendant la mise à jour logicielle peut endommager définitivement l'appareil.

## 5.7 Assistant d'installation

### 5.7.1. Définissez le format date/ heure.

### 5.7.2. Mise à jour automatique - Sélectionnez la source de mise à jour de l'horloge ou Aucune mise à jour.

### 5.7.3. Définir le fuseau horaire

### 5.7.4. Heure d'été

5.7.5. Garder le réseau connecté? Oui ou Non.

5.7.6. L'assistant réseau s'exécutera automatiquement (voir section 5.2.1 Réseau).

## 5.8 Infos

Affiche les détails du système actuel, notamment :

Version du logiciel : numéro de version du logiciel

Version Spotify: numéro de version

Radio ID : Code unique qui identifie cette radio

Nom convivial : nom utilisé pour identifier la radio sur le réseau

## 5.9 Politique de confidentialité

Affiche une politique de confidentialité qui vous mènera à notre site Web pour plus de détails sur la politique de confidentialité de Frontier Smart Technologies:

Veuillez visiter la page suivante sur un PC ou un appareil mobile. : [www.Frontiersmart.com/privacy](http://www.Frontiersmart.com/privacy)

## 5.10 Rétroéclairage / affichage

Délai d'expiration: on, 10, 20, 30, 45, 60, 90, 120, 180sec

Haut, Moyen et Bas sont disponibles pour le niveau On.

High, medium, low et Off sont disponibles pour le niveau de gradation.

## 5.11 Configuration de la sortie de ligne

Sélectionnez Oui ou Non pour la sortie musicale afin de confirmer si la sortie musicale est autorisée ou non.

Pour Haut-parleurs locaux, sélectionnez Oui ou Non pour activer ou désactiver le son ou non.

# 6. RADIO INTERNET

La radio peut diffuser des milliers de stations de radio et de podcasts du monde entier via une connexion Internet haut débit.

Remarque: **Le menu de la liste des stations** est fourni via le portail de radio Internet et n'est donc disponible que lorsque la radio est connectée à Internet. Les listes de stations et les sous-menus changent de temps en temps.

## 6.1 Pays

Représente un sous-menu permettant de rechercher des stations dans différentes catégories, sélectionnez la catégorie souhaitée et une liste supplémentaire de sous-catégories s'affiche ou (s'il n'y a pas d'autres sous-catégories) les stations disponibles pour la catégorie sélectionnée sont répertoriées.

## 6.2 Historique

La dernière station écoutée est sélectionnée une fois le mode radio Internet redémarré. Menu Select> Liste des stations> Historique pour sélectionner différentes stations récemment utilisées.

6.3 **Recherche** : Search Internet diffuse des stations dont le titre contient certains mots-clés.

## 6.4 Emplacement

Sélectionnez un continent dans le menu et une liste des pays disponibles s'affichera. Sélectionnez une station de radio dans la liste pour syntoniser cette station.

## 6.5 Populaire

Présente une liste des diffuseurs Internet les plus populaires du monde entier.

## 6.6 Découvrir

Vous permet de choisir parmi une liste de chaînes définies soit par l'origine (monde / pays), le genre (style de musique) ou la langue. Pour afficher la liste, sélectionnez l'option qui affiche le nombre de stations disponibles.

### 6.7 Informations de lecture en cours

Name / description / artiste et informations de track (si disponibles) sont affichés à l'écran pendant la lecture. Appuyez sur Info pour parcourir les détails suivants : Slogan (standard ; si disponible) ; Langue / lieu; Codec et taux d'échantillonnage; Mémoire tampon de lecture; Date du jour, etc.

## 7. Podcasts

En mode podcast, la radio contacte le portail du fournisseur pour obtenir la liste des podcasts disponibles. Remarque: Le menu podcast est fourni via le portail podcast et n'est donc disponible que si la radio est connectée à Internet. Les listes de podcasts et les sous-menus changent de temps en temps.

### 7.1 Pays

Sélectionnez la catégorie souhaitée et une autre liste de sous-catégories sera affichée ou (s'il n'y a pas d'autres sous-catégories) les podcasts disponibles pour la catégorie sélectionnée seront répertoriés.

### 7.2 Recherche

Podcasts Search avec des mots-clés spécifiques dans le titre. Sélectionnez un programme dans la liste.

### 7.3 Lieu / lieu / pays

Sélectionnez un continent dans le menu et une liste des pays disponibles s'affichera. Sélectionnez un pays et les podcasts disponibles seront affichés.

### 7.4 Découvrir

Choose à partir d'une liste de podcasts définis par l'origine (pays), le genre (style musique) ou la langue.

## 8. SPOTIFY CONNECT Spotify<sup>®</sup>

Utilisez votre téléphone, votre tablette ou votre ordinateur comme une télécommande pour Spotify.

Rendez-vous sur [spotify.com/connect](http://spotify.com/connect) pour savoir comment faire.

Le Logiciel Spotify est soumis à des licences de tiers que vous trouverez ici :

<http://www.spotify.com/connect/third-party-licenses>

## 9. DAB +

Le mode radio DAB reçoit la radio numérique DAB / DAB + et affiche des informations sur la station, le flux et la lecture de piste.

### 9.1 Liste des stations

La première fois en mode radio DAB ou si la liste des stations est vide, la radio effectuera automatiquement une analyse complète pour voir quelles stations sont disponibles.

Select Menu> liste des stations et appuyez sur le bouton Navigation. Faites défiler la commande rotative pour sélectionner la station que vous souhaitez écouter. Les stations peuvent être enregistrées et appelées comme décrit à la section 4. 4. L'

#### 9.1.2 Analyse

Appuyez sur Scan pour lancer la numérisation, une fois l'analyse terminée, la radio affichera une liste des stations disponibles.

**9.1.3 Réglage manuel :** L'option de menu de réglage manuel permet de sélectionner un canal spécifique et d'afficher la puissance du signal pour ce canal.

**9.1.4 Supprimer les stations**

Pour supprimer les stations répertoriées mais non disponibles, sélectionnez Menu> Purge non valide.

**9.1.5 Compression de plage dynamique (DRC)**

Certaines diffusions DAB + offrent DRC (Dynamic Range Compression). Pour modifier le paramètre radio DRC, sélectionnez DRC haut, RDC bas ou RDC.

Remarque : Le paramètre radio RDC n'a aucun effet si l'émission ne contient pas de données RDC.

**9.1.6 Commande de la station**

Pour modifier l'ordre des stations, sélectionnez Menu> Ordre des stations> puis Sélectionnez Alphanumérique ou Ensemble

**9.2 Jouer en cours / ce qui se passe**

Press Info, les informations seront affichées qui comprennent le texte DLS, le type de programme, le nom de l'ensemble / fréquence, la force du signal / taux d'erreur, le débit binaire / codec / canaux, la date du jour et le cycle DL Plus (si disponible).

**9.3 Diaporama**

Appuyez sur le bouton de navigation pour faire défiler les différentes options d'affichage si un diaporama est disponible (en fonction du signal de diffusion).

## 10. FM

Le mode radio FM reçoit la radio analogique de la bande FM et affiche des informations RDS (Radio Data System) sur la station et la diffusion.

**10.1 Sélectionner la station**

Appuyez sur Scan, l'affichage de la fréquence commence à défiler pendant que la radio scanne la bande FM. Les stations peuvent être enregistrées et appelées comme décrit à la section 4. 4. L'

**10.2 Jouer en cours / ce qui se passe**

Pendant la diffusion d'une station FM, affichez l'un des deux ensembles de données suivants :

Si les informations RDS sont disponibles, elles seront par défaut le nom du service (c'est-à-dire le nom de la station). Parcourez plus d'informations RDS en appuyant sur Info: le texte radio RDS, le type de programme RDS, la fréquence et la date du jour.

Si aucune information RDS n'est disponible, la fréquence actuellement définie s'affiche.

**10.3 Paramètres**

**Paramètres d'analyse**

Par défaut, les scans FM s'arrêtent sur n'importe quelle station disponible. Pour modifier le paramètre d'analyse afin qu'il s'arrête uniquement sur les stations avec une bonne puissance du signal, sélectionnez Menu> Paramètres d'analyse> Stations fortes uniquement ? > Oui

**Paramètres audio**

Par défaut, toutes les stations stéréo sont reproduites en stéréo. Avec des émetteurs faibles, cela peut conduire à un mauvais rapport signal/bruit (bruit). Pour lire les stations faibles en mono, sélectionnez Menu> Paramètres audio> Réception FM faible : n'entendez qu'en mono> Oui.

## 11. CD

Le menu CD offre les options suivantes :

Aléatoire / Shuffle (Désactivé / Activé)

Répéter (Désactivé / Répéter / Répéter tout)

En mode CD:«Chargement» apparaîtra sur l'écran de la fonction CD, suivi de «Lecture», « Pas de disque ».

Appuyez sur le bouton d'éjection de la radio, insérez votre CD et le lecteur acceptera le CD dans le système pour la lecture. La première chanson sur le CD va maintenant être lue et affiche le temps de lecture.

Utilisez les boutons avant ou arrière de la radio ou de la télécommande pour basculer entre les pistes.

Pause / lecture avec le bouton de la radio ou sur la télécommande pour lire ou mettre en pause.

Pour sauter en arrière / en avant pendant la lecture d'une chanson, appuyez et maintenez enfoncé le bouton précédent ou suivant de la télécommande et relâchez-le lorsque vous souhaitez arrêter de sauter.

### **Programme**

Pendant la lecture du CD, appuyez sur le bouton « Arrêter ». Vous pouvez programmer le lecteur de CD pour lire des pistes dans un ordre spécifique. Appuyez simplement sur le bouton « Programme » de la télécommande pour entrer l'état de la programmation. Le symbole de l'étoile s'affiche. Dans les paramètres du programme, l'écran affiche T001 pour afficher la première piste sur le CD comme P01. Vous pouvez maintenant sélectionner le titre que vous souhaitez comme numéro de programme P01 en utilisant les boutons « << » et « >> » pour faire défiler jusqu'au titre que vous souhaitez sélectionner. Une fois que vous avez trouvé la chanson que vous avez sélectionnée pour P01, appuyez sur « Programme » et choisissez votre prochaine chanson programmée. Pour la chanson suivante, l'écran affiche T002 pour indiquer le programme 2. Utilisez maintenant les boutons « << » et « >> » pour faire défiler jusqu'à la chanson que vous souhaitez sélectionner. Une fois que vous avez sélectionné le programme que vous avez sélectionné pour le programme 2, appuyez sur « Programme » et sélectionnez votre prochaine piste programmée. Après avoir terminé la sélection de la chanson du programme, appuyez sur le bouton Lecture / « Pause » pour lire les chansons programmées.

Si la lecture du programme est activée, appuyez deux fois sur le bouton d'arrêt pour quitter le mode de lecture du programme et revenir à la lecture du CD.

### **Tous les CD ne peuvent pas être utilisés.**

N'UTILISEZ PAS de Mini CD (8 cm). N'utilisez qu'un disque pleine grandeur de 12 cm. Les mini-CD bloquent le mécanisme d'alimentation.

## 12. USB

En mode USB, l'audio est lu à partir d'une source externe telle qu'un lecteur MP3.

Shuffle / Aléatoire (Off / On)

Répéter (Désactivé / Répéter / Répéter tout)



## 13. AUX IN

Fonction: Pour configurer le mode de lecture pour le programme audio externa. Connectez la source audio externe à l'Aux-IN. Réglez le volume de la radio (et du périphérique source audio si nécessaire) selon vos besoins.

## 14. BLUETOOTH

Le nom Bluetooth de la radio est Tangent Radio Fem. Sur votre appareil intelligent Bluetooth (téléphone / tablette), assurez-vous que le Bluetooth est activé et recherchez l'appareil. Sélectionnez la radio dans la liste des périphériques Bluetooth disponibles.

Pause, jouer, passer à la piste suivante et passer à la piste précédente (dans la liste de lecture de l'appareil Bluetooth de contrôle) à l'aide des boutons disponibles sur la radio.

## 15. ALARME ET MINUTERIE DE SOMMEIL

### 15.1 Minuterie de sommeil

Sommeil OFF, 15 minutes, 30 minutes, 45 minutes, 60 minutes, 90 minutes ou 120 minutes.

Remarque : Un temps de veille est automatiquement annulé lorsque la radio passe en mode veille.

### 15.2 Alarme d'alarme

Sélectionnez le numéro d'alarme (1 ou 2) et configurez les paramètres suivants :

Activer : Désactivé, Tous les jours, Une fois, Week-end ou En semaine

Heure: 12:00 p.m. (ajuster au besoin)

Date: (ajuster au besoin - cette option est normalement masquée et requise uniquement si « Une fois » est sélectionné dans le champ « Activer ».)

Mode: Buzz, radio Internet, DAB ou FM

Paramètre par défaut : Dernier volume ou Volume : 1-32

Pour enregistrer ces paramètres et définir l'alarme, faites défiler vers le bas et sélectionnez Enregistrer.

Remarque: L'alarme retentira à l'heure définie. Pour le désactiver temporairement, appuyez sur le bouton Navigation. Appuyez plusieurs fois sur le bouton de navigation pour parcourir les périodes de répétition disponibles : 5 minutes, 10 minutes, 15 minutes et 30 minutes. Appuyez sur Veille pour annuler une alarme ou une alarme de veille.

## 16. APPLICATION UNDOK

L'appareil offre une fonctionnalité réseau via un smartphone ou une tablette dans le système iOS ou Android. En téléchargeant l'application appelée UNDOK

. Avant d'utiliser l'application UNDOK, assurez-vous que l'appareil et le smartphone / tablette sont sur le même réseau WiFi.

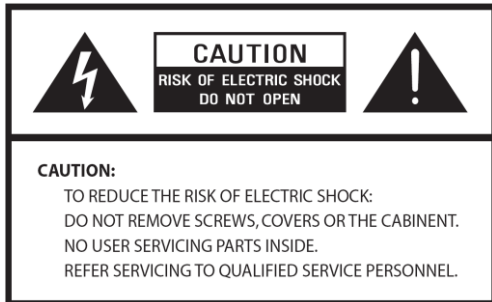
REMARQUE: Si un autre smartphone / tablette avec l'application dans le même réseau a accès à l'appareil, la connexion d'origine sera interrompue.

## 17. SPÉCIFICATION

<b>Numéro de modèle</b>	Tangent Radio Fem
Description	Radio Internet/FM/DAB+/CD/BT/USB/AUX/Spotify
Montrer	Écran couleur TFT de 3,2 po
Réseau pris en charge	WiFi IEEE 802.11b / g / n sans fil; Bluetooth (BT 5.0, prend en charge les profils A2DP, AVRCP)
Fréquences	WiFi: 2.400 - 2.4835 GHz; Bluetooth: 2.4GHz - 2.48 GHz
Chiffrement	WEP, WPA, WPA2 (PSK), WPS
Lecteur de CD	Prend en charge CD, CD-R, CD-RW
Formats pris en charge (CD)	CD-DA, MP3, WMA (jusqu'à 48kHz, 384kbps)
Formats pris en charge: (Streaming, USB)	MP3 (jusqu'à 320 kbit/s), WMA (jusqu'à 384 kbit/s), WAV (jusqu'à 1,536 mbit/s), AAC/AAC+ (jusqu'à 96 kHz, 24 bits), FLAC (jusqu'à 48 kHz, 24 bits)
DAB / DAB+	Bande III (174,928 – 239,200 MHz)
FM	87,5 – 108,0 MHz, prise en charge de RDS
Alimentation	100-240V – 50/60Hz 15VDC - 3A
Batteries de télécommande	2 piles AAA de 1,5 V
température de fonctionnement	0 °C - 35 °C
puissance de sortie	2x20Watt RMS
Connections	ENTRÉE CC, ENTRÉE AUXILIAIRE, SORTIE LIGNE, USB
taille	430x230x148mm ( B x T x H)
Poids net	4,5 kg

Droits réservés aux modifications technical sans préavis.

## Consignes de sécurité importantes



1. Lisez ces instructions.
2. Conservez ces instructions.
3. Tenez compte de tous les avertissements.
4. Suivez toutes les instructions.
5. N'utilisez pas le haut-parleur près de l'eau.
6. Nettoyez uniquement avec un chiffon sec.

**ATTENTION : POUR RÉDUIRE LE RISQUE D'INCENDIE OU DE CHOC ÉLECTRIQUE, N'EXPOSEZ PAS CE HAUT-PARLEUR À LA PLUIE OU À L'HUMIDITÉ.**

Pour réduire le risque de choc électrique, d'incendie, etc. :

1. Ne placez pas l'unité à proximité d'une source de chaleur telle que des radiateurs, des registres de chaleur, des poêles ou d'autres appareils (y compris des amplificateurs) qui produisent de la chaleur.
2. Ne bloquez pas les ouvertures de ventilation de l'unité.
3. L'unité ne doit pas être exposée à l'égouttement ou aux éclaboussures et aucun objet rempli de liquides, tels que des vases, ne doit être placé sur l'unité.
4. Ne placez pas de charges lourdes sur l'unité et ne marchez pas dessus, la charge peut tomber et causer des blessures graves à l'unité.
5. Veuillez lire les étiquettes d'évaluation à l'arrière de l'unité pour l'entrée de puissance et d'autres informations de sécurité.
6. Cet appareil est destiné à être utilisé uniquement avec l'alimentation fournie.
7. Protégez le cordon d'alimentation contre les marches ou les pincements, en particulier au niveau des prises, des prises de commodité et à tout point où ils sortent de l'appareil.
8. Ne débranchez jamais votre appareil en tirant sur le cordon d'alimentation. Saisissez toujours fermement la fiche et tirez directement de la prise.
9. Réparez ou remplacez immédiatement tous les cordons de service électrique qui se sont effilochés ou endommagés d'une autre manière. N'utilisez pas un cordon qui présente des fissures ou des dommages causés par l'abrasion sur toute sa longueur, la fiche ou l'extrémité du connecteur.
10. Pour éviter tout risque d'incendie ou de choc, n'utilisez pas cette fiche avec une rallonge ou une autre prise, sauf si les lames peuvent être complètement insérées pour éviter l'exposition de la lame.
11. Pour éviter les risques d'incendie ou de choc, n'exposez pas l'unité à la pluie ou à l'humidité.
12. Pendant les jours de foudre ou de pluie, débranchez l'appareil pour une protection supplémentaire pendant les orages ou lorsque l'appareil n'est pas utilisé pendant de longues périodes. Cela évitera d'endommager l'appareil par la foudre et les surtensions.
13. N'essayez pas d'effectuer vous-même des travaux de service. En ouvrant ou en retirant l'armoire, vous pouvez être exposé à une tension dangereuse ou à d'autres dangers. Tout travail d'entretien doit être effectué par des techniciens qualifiés.
14. La batterie de la télécommande ne doit pas être exposée à une chaleur excessive telle que le soleil, le feu ou autre.
15. Danger d'explosion si la batterie est mal remplacée. Remplacez uniquement par le même type ou un type équivalent.
16. Dans l'intérêt de la sécurité et pour éviter une consommation d'énergie inutile, ne laissez jamais l'appareil allumé sans surveillance pendant de longues périodes, par exemple pendant la nuit, pendant les vacances ou à l'extérieur de la maison. Éteignez-le et débranchez la prise secteur de la prise secteur.

# Tangent Radio Fem



Internetradio - DAB+/DAB/UKW Radio - CD-Player – Bluetooth – USB - Spotify

**User Handbuch**

## Erste Schritte

Packen Sie Ihr Radio vorsichtig aus der Box aus. Vielleicht möchten Sie die Verpackung für die zukünftige Verwendung aufbewahren.

### Was Sie in Ihrem Paket finden können

- Haupteinheit
- Netzteil
- Fernbedienung
- Bedienungsanleitung

### Positionieren Sie Ihr Radio

Platzieren Sie Ihr Radio auf einer ebenen / stabilen Oberfläche, die keinen Vibrationen ausgesetzt ist.

Vermeiden Sie die folgenden Speicherorte:

- Wo das Radio direkter Sonneneinstrahlung ausgesetzt wird.
- Wo sich das Radio in der Nähe von Wärmestrahlsquellen befindet.
- Wo die Luftfeuchtigkeit hoch und die Belüftung schlecht ist.
- Wo es staubig ist.
- Wo es feucht ist oder die Möglichkeit besteht, dass Wasser auf das Gerät tropft oder spritzt.

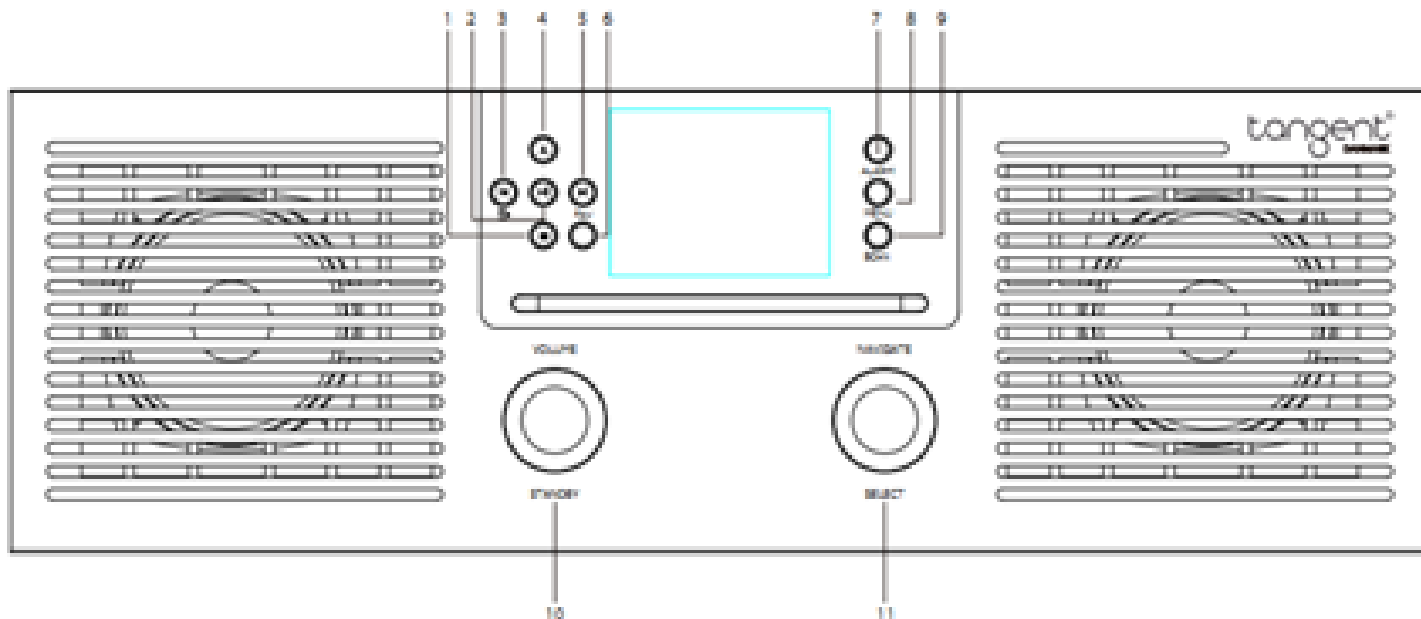
### Einstellen der Antenne

Verlängern Sie die Antenne, um sicherzustellen, dass Sie sowohl im DAB- als auch im UKW-Radiomodus den bestmöglichen Empfang erhalten. Es kann notwendig sein, die Position des Radios und / oder der Antenne einzustellen, um das beste Signal zu erzielen.

### Ein-/Ausschalten des Geräts

Schließen Sie den Stecker am Ende des Netzadapterkabels an die **DC IN**-Buchse auf der Rückseite des Geräts an. Stecken Sie dann das Netzteil in die Steckdose. Drücken Sie die **EIN-/Aus**-Taste, um das Gerät ein- oder auszuschalten. Um das Gerät vollständig auszuschalten, ziehen Sie das Netzteil aus der Steckdose.

# 1. Überblick



- 1. ■ Drücken, um die CD-Wiedergabe im CD-Modus zu stoppen
- 2. ▶|| Wiedergabe/Pause
- 3. ◀ Schneller Vorlauf (CD-Modus) & Links / Zurück, **Vorherige** Taste
- 4. ▲ CD auswerfen
- 5. ▶ Schnelle Rückwärtsbewegung (Verwendung im CD-Modus) & Rechts/Vorwärts drehen, **Weiter-Taste**
- 6. FavTo die Radiosender speichern und ausschalten
- 7. AlarmAlarme einstellen (Alarm 1 & Alarm 2)
- 8. MenüMenü für den aktuellen Modus anzeigen (lange in Menü drücken, in Info drücken)
- 9. ScannenScanning im DAB- und FM-Modus

## 10. Lautstärke-/Standby-Regler

Drücken Sie, um den Rotate-Regler einzuschalten, um die Lautstärke beim Spielen anzupassen

von Press in das Modusmenü zu gelangen (umschalten Sie zwischen den verschiedenen Modi mit der Navigationstaste)

Longpress zum Ausschalten (Standby)

## 11. Auflage. Navigations-/Auswahlknopf

Drehknopf zum Navigieren und Auswählen

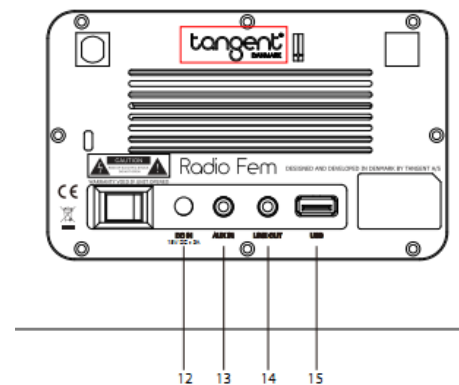
Drücken Sie den Knopf, um bei Bedarf zu bestätigen

## 13. Auflage. DC IN BuchseEingang für Stromversorgung

## 14. AUX IN BuchseEingang für 3,5 mm AUX-Kabel

## 15. Line-Out-BuchseAusgang 3,5 mm für externen Lautsprecher

## 16. USB-AnschlussLegen Sie USB-Musik ab oder aktualisieren Sie die Software



## 2. Fernbedienung

1. Reserve
2. Repeat
3. EQ
4. Aufhören
5. Zurück / Zurück
6. Modus
7. Linker Cursor
8. Volumen -
9. CD-Auswurf
10. Sleeptimer
11. Programm
12. Vorwärts / nächster Track
13. Informationen
14. Cursor nach oben
15. Menü / zurück im Menü
16. Rechter Cursor
17. OK und Play/Pause
18. Volumen +
19. Cursor nach unten
20. Briefe
21. Favoriten
22. Stummschaltung



## 3. FIRST SCHRITTE

Stellen Sie vor dem Betrieb sicher, dass die auf dem Netzteil angegebene Spannung mit der Spannung in Ihrem Haus übereinstimmt.

Verwenden Sie den mitgelieferten Adapter, um das Radio an eine Haushaltssteckdose anzuschließen.

Wenn das Gerät zum ersten Mal eingeschaltet wird, startet der Setup-Assistent automatisch.

### 3.1 Setup-Assistent

Die Datenschutzrichtlinien erscheinen ganz am Anfang. Drücken Sie diese mit dem Navigationsknopf nach unten und bestätigen Sie dies durch Drücken des Navigationsknopfes. Anschließend erscheint der Setup-Assistent. Nach dem Durchlaufen des Setup-Assistenten zum Konfigurieren der Datums-/Uhrzeit- und Netzwerkeinstellungen ist das System in den meisten Modi einsatzbereit. Um den Setup-Assistenten erneut auszuführen, wählen Sie Menü> Systemeinstellungen> Setup-Assistenten.

## 4. BETRIEB

### 4.1 Mode

Wählen Sie einen Modus im Hauptmenü aus, indem Sie den Navigationsknopf drehen und zur Bestätigung die Navigationstaste drücken. Nach einem kurzen Moment schaltet das Funkgerät in diesen Modus. Die letzte Station oder Spur, die zuvor in diesem Modus verwendet wurde, wird ausgewählt. Ist dies nicht möglich, sucht das Funkgerät nach relevanten Sendern, Netzwerken oder fordert den Nutzer zur Eingabe auf.

### 4.2 Menüführung

Das Hauptmenü bietet eine alternative Methode zur Auswahl der Hörmodi sowie Schlaf- und Alarmfunktionen und eine abschließende Option: Systemeinstellungen> Der ">" zeigt Optionen an, die zu weiteren Menüs führen.

### 4.3 Texteintrag

Die Dateneingabemaske zeigt alle verfügbaren Zeichen und Befehlsfunktionen in einer Endlosschleife an. Drehen Sie den Knopf, um nach Bedarf durch die Schleife zu scrollen. Drücken Sie den Navigationsknopf, um das aktuell markierte Zeichen auszuwählen. Wählen Sie die BKSP-Option (Backspace), um das letzte Zeichen zu entfernen. Wählen Sie den Navigationsknopf, um die Suchwörter oder das Passwort einzugeben, sobald Sie fertig sind. Wählen Sie ABBRECHEN, um den Eingabebildschirm zu verlassen.

### 4.4 Voreingestellte Tasten

Bis zu 40 voreingestellte Sender können in jedem DAB-, UKW- und Internetradio-Modus gespeichert und aufgerufen werden.

Um den aktuellen Sender als Favoriten zu speichern, halten Sie FAV gedrückt, bis Speichern auf dem Display angezeigt wird, wählen Sie einen der 40 Stationssteckplätze aus, um die aktuell spielende Station zu speichern, und drücken Sie zur Bestätigung den Navigationsknopf. Um einen Favoriten auszuwählen, drücken Sie kurz FAV und wählen Sie eine der aufgeführten voreingestellten Stationen aus. Wenn ein voreingestellter Sender abgespielt wird, wird seine voreingestellte Nummer, Sternsymbol + Zahl, am unteren Bildschirmrand angezeigt.

## 5. SYSTEMEINSTELLUNGEN

### 5.1 Equalizer

Um eine EQ-Einstellung zu wählen, wählen Sie Menü> Systemeinstellungen> Equalizer, hier stehen mehrere vordefinierte EQ-Einstellungen zur Verfügung, also eine benutzerdefinierte Einstellung (Mein EQ). Definieren Sie Ihre eigenen Einstellungen für die Option "Mein EQ" mit benutzerdefinierten Einstellungen für Bass und Höhen.

### 5.2 Netzwerk

#### 5.2.1 Netzwerk-Assistent

##### Auswählen eines Netzwerks

Wenn der Netzwerk-Assistent ausgewählt ist, sucht der Sender automatisch nach verfügbaren drahtlosen Netzwerken und zeigt eine Liste von SSIDs (Service Set Identifiers) für die Netzwerke an, wählen Sie ein Netzwerk aus der Liste aus.

##### Offenes Netzwerk

Wenn das Netzwerk geöffnet (unverschlüsselt) ist, wird eine drahtlose Verbindung hergestellt, und es sind keine weiteren Details erforderlich.



### **Verschlüsseltes Netzwerk**

Wenn das drahtlose Netzwerk geschützt ist, werden Optionen zur Eingabe des Netzwerkschlüssels oder der Passphrase auf dem nächsten Bildschirm angezeigt.

### **Vervollständigungsnetzwerk**

Das Funkgerät stellt eine Verbindung zum ausgewählten Netzwerk her. Wenn die Verbindung fehlschlägt, kehrt der Sender zu einem vorherigen Bildschirm zurück, damit Sie es erneut versuchen können. Wenn die Netzwerkverbindung unterbrochen wird, stellt das Funkgerät automatisch die Verbindung wieder her.

#### **5.2.2 PBC Wlan-Einrichtung / WPS (Wi-Fi Protected Setup)**

Das Radio fordert Sie auf, die Verbindungstaste am Router zu drücken und dann den Navigationsknopf zu drücken.

**5.2.3 Ansichtseinstellungen:** Zeigt die Einstellungsdetails an: Aktive Verbindungen / MAC-Adresse / WLAN-Region / DHCP / SSID / IP-Adresse / Subnetzmaske / Gateway-Adresse / Primäres DNS / Sekundäres DNS

**5.2.4 Manuelle Einstellungen:** Wählen Sie zwischen DHCP aktiviert / deaktiviert

**5.2.5 NetRemote-PIN-Einrichtung:** Legen Sie eine PIN-Nummer fest, die eingegeben werden muss, bevor Sie sich über ein Netzwerk remote mit dem Funkgerät verbinden können

**5.2.6 Netzwerkprofil:** Hier wird eine Liste der Netzwerke angezeigt, an die sich das Radio erinnert (maximal 4).

**5.2.7 Alle Netzwerkeinstellungen löschen:** Diese Option löscht die aktuellen Netzwerkeinstellungen.

**5.2.8 Netzwerk verbunden halten:** Wenn das Netzwerk in anderen Modi außerhalb von Internetradio oder im Standby-Modus gehalten wird.

### **5.3 Uhrzeit / Datum**

#### **5.3.1 Uhrzeit / Datum einstellen**

Datum und Uhrzeit werden als TT-MM-JJJJ angezeigt, wobei der erste Wert DD aktiv ist (blinkend). Passen Sie jeden Wert mit dem Controller an. Wenn jeder Wert durch Drücken des Knopfes eingestellt wird, wird der nächste Wert aktiv und kann eingestellt werden.

**5.3.2 Automatische Aktualisierung (von DAB, UKW oder Netzwerk):** :

Wählen Sie Update von DAB, Update von FM, Update von Netzwerk oder Kein Update.

**5.3.3 Einstellen des Formats:** 12 Stunden / 24 Stunden

**5.3.4 Zeitzone einstellen:** Wählen Sie die Zeitzone aus, in der Sie sich befinden

**5.3.5 Sommerzeit:** Turn Sommerzeit aus und an.

**5.4 Sprache:** Die Standardsprache ist Englisch. Select Menu> Systemeinstellungen> Sprachen> Deutsch, Dansk, Nederlands, Suomi, Francais, Deutsch, Italiano, Norsk, Polski, Portugues, Espanol, Svenska, Turkce

**5.5 Werksreset:** Wählen Sie Menü> Systemeinstellungen> Werksreset > Fortfahren, Ja. (alle Benutzereinstellungen werden auf die Standardwerte zurückgesetzt)

### **5.6 Software-Update**

Alle Benutzereinstellungen bleiben nach einem Software-Upgrade erhalten.

**VORSICHT:** Bevor Sie ein Software-Upgrade starten, stellen Sie sicher, dass das Funkgerät an eine stabile Stromversorgung angeschlossen ist. Das Trennen der Stromversorgung während des Software-Updates kann das Gerät dauerhaft beschädigen.

### **5.7 Setup-Assistent**

- 5.7.1. Stellen Sie das Datums- / Uhrzeitformat ein.
- 5.7.2. Automatische Aktualisierung - Wählen Sie die Uhrzeitaktualisierungsquelle oder Keine Aktualisierung aus.
- 5.7.3. Festlegen der Zeitzone
- 5.7.4. Sommerzeit
- 5.7.5. Netzwerk verbunden halten? Ja oder nein.
- 5.7.6. Der Netzwerk-Assistent wird automatisch ausgeführt (siehe Abschnitt 5.2.1 Netzwerk).

## 5.8 Infos

Zeigt Details des aktuellen Systems an, einschließlich:

SW-Version: Software-Versionsnummer

Spotify Version: Versionsnummer

Funk-ID: Eindeutiger Code, der dieses Funkgerät identifiziert

Anzeigenname: Name, der verwendet wird, um das Radio im Netzwerk zu identifizieren

## 5.9 Datenschutzerklärung

Zeigt eine Datenschutzrichtlinie an, die Sie auf unsere Website führt, um alle Einzelheiten zur Datenschutzrichtlinie von Frontier Smart Technologies zu erhalten:

Bitte besuchen Sie die folgende Seite auf einem PC oder Mobilgerät. : [www.Frontiersmart.com/privacy](http://www.Frontiersmart.com/privacy)

## 5.10 Hintergrundbeleuchtung / Display

Auszeit: ein, 10, 20, 30, 45, 60, 90, 120, 180sec

Hoch, Mittel und Niedrig sind für die On-Ebene verfügbar.

Für die Dimmstufe stehen High, Medium, Low und Off zur Verfügung.

## 5.11 Einrichtung des Line-Ausgangs

Wählen Sie Ja oder Nein für die Musikausgabe aus, um zu bestätigen, ob die Musikausgabe zulässig ist oder nicht.

Wählen Sie für Lokale Lautsprecher ja oder nein aus, um den Ton ein- oder auszuschalten oder nicht.

# 6. INTERNETRADIO

Das Radio kann Tausende von Radiosendern und Podcasts aus der ganzen Welt über eine Breitband-Internetverbindung abspielen.

Hinweis: **Das Senderlistenmenü** wird über das Internetradiportal bereitgestellt und steht daher nur zur Verfügung, wenn das Radio mit dem Internet verbunden ist. Stationslisten und Untermenüs ändern sich von Zeit zu Zeit.

## 6.1 Land

Stellt ein Untermenü dar, um nach Stationen in verschiedenen Kategorien zu suchen, wählen Sie die gewünschte Kategorie aus und es wird entweder eine weitere Liste von Unterkategorien angezeigt oder (wenn es keine weiteren Unterkategorien gibt) werden die verfügbaren Stationen für die ausgewählte Kategorie aufgelistet.

## 6.2 Geschichte

Der zuletzt gehörte Sender wird nach dem Neustart des Internetradiomodus ausgewählt. Auswahlmenü> Senderliste> Verlauf, um verschiedene kürzlich verwendete Stationen auszuwählen.

- 6.3 Suche** : Search Internet sendet nach Sendern, deren Titel bestimmte Schlüsselwörter enthält.
- 6.4 Lage**  
Wählen Sie einen Kontinent aus dem Menü aus und eine Liste der verfügbaren Länder wird angezeigt.  
Wählen Sie einen Radiosender aus der Liste aus, um diesen Sender einzuschalten.
- 6.5 Beliebt**  
Präsentiert eine Liste der beliebtesten Internetsender aus der ganzen Welt.
- 6.6 Entdecken**  
Ermöglicht es Ihnen, aus einer Liste von Kanälen zu wählen, die entweder nach Herkunft (weltweit / Land), Genre (Musikstil) oder Sprache definiert sind. Um die Liste anzuzeigen, wählen Sie die Option aus, die die Anzahl der verfügbaren Stationen anzeigt.
- 6.7 Informationen zum Abspielen jetzt**  
Name / Beschreibung / Künstler und Track-Informationen (falls verfügbar) werden während der Wiedergabe auf dem Bildschirm angezeigt. Drücken Sie Info, um die folgenden Details durchzugehen: Slogan (Standard; falls verfügbar); Sprache / Ort; Codec und Abtastrate; Wiedergabepuffer; Heutiges Datum etc

## 7. Podcasts

Im Podcast-Modus kontaktiert das Radio das Portal des Anbieters, um eine Liste der verfügbaren Podcasts zu erhalten.

Hinweis: Das Podcast-Menü wird über das Podcast-Portal bereitgestellt und ist daher nur verfügbar, wenn das Radio mit dem Internet verbunden ist. Podcast-Listen und Untermenüs ändern sich von Zeit zu Zeit.

- 7.1 Land**  
Wählen Sie die gewünschte Kategorie aus und es wird entweder eine weitere Liste von Unterkategorien angezeigt oder (wenn es keine weiteren Unterkategorien gibt) werden die verfügbaren Podcasts für die ausgewählte Kategorie aufgelistet.
- 7.2 Suche**  
Search Podcasts mit bestimmten Schlüsselwörtern im Titel. Wählen Sie ein Programm aus der Liste aus.
- 7.3 Lage / Ort / Land**  
Wählen Sie einen Kontinent aus dem Menü aus und eine Liste der verfügbaren Länder wird angezeigt.  
Wählen Sie ein Land aus und die verfügbaren Podcasts werden angezeigt.
- 7.4 Entdecken**  
Wählen Sie eine Liste von Podcasts, die entweder nach Herkunft (Land), Genre (musischer Stil) oder Sprache definiert sind.

## 8. SPOTIFY CONNECT Spotify<sup>®</sup>

Verwenden Sie Ihr Telefon, Tablet oder Ihren Computer als Fernbedienung für Spotify.

Gehen Sie zu [spotify.com/connect](http://spotify.com/connect), um zu erfahren, wie.

Die Spotify-Software unterliegt den Lizenzen von Drittanbietern, die Sie hier finden:

<http://www.spotify.com/connect/third-party-licenses>

## 9. DAB +

Der DAB-Radiomodus empfängt DAB / DAB + Digitalradio und zeigt Informationen über den Sender, Stream und Track-Wiedergabe an.

### 9.1 Senderliste

Beim ersten Mal im DAB-Radiomodus oder wenn die Senderliste leer ist, führt das Radio automatisch einen vollständigen Scan durch, um zu sehen, welche Sender verfügbar sind.

Wählen Sie Menu> Stationsliste und drücken Sie die Navigationstaste. Scrollen Sie mit dem Drehregler, um den Sender auszuwählen, den Sie hören möchten. Stationen können wie in Abschnitt 4 beschrieben gespeichert und aufgerufen werden. 4. Auflage.

#### 9.1.2 Scannen

Drücken Sie Scan, um den Scanvorgang zu starten, wenn der Scan abgeschlossen ist, zeigt das Radio eine Liste der verfügbaren Sender an.

**9.1.3 Manual Tune:** Die Menüoption für manuelles Tuning, um einen bestimmten Kanal auszuwählen und die Signalstärke für diesen Kanal anzuzeigen.

#### 9.1.4 Stationen entfernen

Um aufgelistete, aber nicht verfügbare Stationen zu entfernen, wählen Sie Menü> Ungültig löschen.

#### 9.1.5 Dynamikbereichskompression (DRC)

Einige DAB + -Sendungen bieten DRC (Dynamic Range Compression). Um die Funk-DRC-Einstellung zu ändern, wählen Sie DRC high, DRC low oder DRC aus.

Hinweis: Die Radio-DRC-Einstellung hat keine Auswirkung, wenn die Sendung keine DRC-Daten enthält.

#### 9.1.6 Stationsbestellung

Um die Stationsreihenfolge zu ändern, wählen Sie Menü> Stationsreihenfolge> wählen Sie dann Alphanumeric oder Ensemble

### 9.2 Jetzt spielen / was los ist

Press Info, Informationen werden angezeigt, die den DLS-Text, den Programmtyp, den Ensemblenamen / die Frequenz, die Signalstärke / Fehlerrate, die Bitrate / den Codec / die Kanäle, das heutige Datum und den DL Plus-Zyklus (falls verfügbar) enthalten.

### 9.3 Diashow

Drücken Sie den Navigationsknopf, um durch die verschiedenen Anzeigeeoptionen zu scrollen, wenn eine Diashow verfügbar ist (abhängig vom Sendesignal).

## 10. UKW

Der UKW-Radiomodus empfängt analoges Radio aus dem UKW-Band und zeigt RDS-Informationen (Radio Data System) über den Sender und die Sendung an.

### 10.1 Station auswählen

Drücken Sie Scan, die Frequenzanzeige beginnt zu scrollen, während das Radio das UKW-Band scannt. Stationen können wie in Abschnitt 4 beschrieben gespeichert und aufgerufen werden. 4. Auflage.

### 10.2 Jetzt spielen / Was ist los

Zeigen Sie während der Wiedergabe eines UKW-Senders einen der beiden folgenden Datensätze an: Wenn RDS-Informationen verfügbar sind, wird standardmäßig der Dienstname (d. h. der Stationsname) verwendet. Navigieren Sie durch weitere RDS-Informationen, indem Sie auf Info klicken: den RDS-Funktext, den RDS-Programmtyp, die Frequenz und das heutige Datum.

Wenn keine RDS-Informationen verfügbar sind, wird die aktuell eingestellte Frequenz angezeigt.

### 10.3 Einstellungen

#### Scan-Einstellungen

Standardmäßig werden FM-Scans auf jedem verfügbaren Sender gestoppt. Um die Scan-Einstellung so zu ändern, dass sie nur auf Stations mit guter Signalstärke stoppt, wählen Sie Menü> Scan-Einstellungen> Nur starke Stationen? > Ja

#### Audio-Einstellungen

Standardmäßig werden alle Stereosender in Stereo wiedergegeben. Bei schwachen Sendern kann dies zu einem schlechten Signal-Rausch-Verhältnis (Rauschen) führen. Um schwache Sender in Mono abzuspielen, wählen Sie Menü> Audioeinstellungen> Schwacher FM-Empfang: nur in Mono hören> Ja.

## 11. Auflage. CD

Das CD-Menü bietet folgende Optionen:

Zufällig / Shuffle (Aus / Ein)

Wiederholen (Aus / Wiederholen / Alle wiederholen)

Im CD-Modus: "Loading ..." erscheint auf dem CD-Funktionsbildschirm, gefolgt von "Lesen", "Keine Disc".

Drücken Sie die Auswurf Taste am Radio, legen Sie ihre CD ein und das Laufwerk akzeptiert die CD zur Wiedergabe in das System. Der erste Song auf der CD wird nun abgespielt und zeigt die Spielzeit an.

Verwenden Sie die Vorwärts- oder Rückwärtstasten am Radio oder der Fernbedienung, um zwischen den Spuren zu wechseln. Pausieren / Abspielen mit der Taste am Radio oder auf der Fernbedienung zum Abspielen oder Pausieren.

Um während der Wiedergabe eines Songs rückwärts / vorwärts zu springen, halten Sie die Vorherige- oder Weiter-Taste auf der Fernbedienung gedrückt und lassen Sie sie los, wenn Sie das Überspringen beenden möchten.

#### Programm

Während die CD abgespielt wird, drücken Sie die Taste "Stop". Sie können den CD-Player so programmieren, dass er Titel in einer bestimmten Reihenfolge abspielt. Drücken Sie einfach die Taste "Programm" auf der Fernbedienung, um den Programmierstatus einzugeben. Das Sternsymbol wird

angezeigt. In den Programmeinstellungen zeigt das Display T001 an, um den ersten Titel auf der CD als P01 anzuzeigen. Sie können nun auswählen, welchen Titel Sie als Programmnummer P01 verwenden möchten, indem Sie über die Schaltflächen "<<" und ">>" zu dem Titel scrollen, den Sie auswählen möchten. Sobald Sie den Song gefunden haben, den Sie für P01 ausgewählt haben, drücken Sie "Programm" und wählen Sie Ihren nächsten programmierten Song aus. Für den nächsten Song zeigt das Display T002 an, um Programm 2 anzuzeigen. Verwenden Sie nun die Schaltflächen "<<" und ">>", um zu dem Song zu scrollen, den Sie auswählen möchten. Sobald Sie das Programm ausgewählt haben, das Sie für Programm 2 ausgewählt haben, drücken Sie "Programm" und wählen Sie Ihren nächsten programmierten Track aus. Nachdem Sie die Auswahl der Programmsongs abgeschlossen haben, drücken Sie die Taste Play / "Pause", um die programmierten Songs abzuspielen.

Wenn die Programmwiedergabe aktiviert ist, drücken Sie zweimal die Stopptaste, um den Programmwiedergabemodus zu beenden und zur CD-Wiedergabe zurückzukehren.

**Nicht alle CDs können verwendet werden.**

VERWENDEN SIE KEINE Mini-CDs (8 cm). Verwenden Sie nur eine 12-cm-Disc in voller Größe. Mini-CDs blockieren den Vorschubmechanismus.

## 12. USB-Anschluss

Im USB-Modus wird Audio von einer externen Quelle wie einem MP3-Player wiedergegeben.

Zufallswiedergabe / Zufall (Aus / Ein)

Wiederholen (Aus / Wiederholen / Alle wiederholen)

## 13. AUX-EINGANG

Funktion: Um den Wiedergabemodus für das externa Audioprogramm einzurichten. Schließen Sie die externe Audioquelle an den Aux-IN an. Passen Sie die Lautstärke des Radios (und ggf. des Audioquellengeräts) nach Bedarf an.

## 14. Auflage. BLUETOOTH

Der Bluetooth-Name des Radios lautet Tangent Radio Fem. Stellen Sie auf Ihrem Bluetooth-Smart-Gerät (Telefon / Tablet) sicher, dass Bluetooth eingeschaltet ist, und suchen Sie nach dem Gerät. Wählen Sie das Radio aus der Liste der verfügbaren Bluetooth-Geräte aus.

Pause, play, springe zum nächsten Track und springe zum vorherigen Track (in der Playlist des steuernden Bluetooth-Geräts) mit den am Radio verfügbaren Tasten.

## 15. Auflage. ALARM UND SLEEPTIMER

### 15.1 Sleptimer

Schlaf AUS, 15 Minuten, 30 Minuten, 45 Minuten, 60 Minuten, 90 Minuten oder 120 Minuten.

Hinweis: Eine Ruhezeit wird automatisch abgebrochen, wenn das Radio in den Standby-Modus geschaltet wird.

### 15.2 Alarm Alarm

Wählen Sie die Alarmnummer (1 oder 2) und konfigurieren Sie die folgenden Parameter:

Aktivieren: Aus, Täglich, Einmal, Wochenende oder Wochentag

Zeit: 12:00 Uhr.m. (nach Bedarf anpassen)

Datum: (nach Bedarf anpassen - diese Option ist normalerweise ausgeblendet und nur erforderlich, wenn "Einmal" im Feld "Aktivieren" ausgewählt ist.)

Modus: Buzz, Internetradio, DAB oder UKW

Standardeinstellung: Letztes Volume oder Volume: 1-32

Um diese Einstellungen zu speichern und den Alarm einzustellen, scrollen Sie nach unten und wählen Sie Speichern.

Hinweis: Der Alarm ertönt zur eingestellten Zeit. Um es vorübergehend zu deaktivieren, drücken Sie die Navigationstaste. Drücken Sie wiederholt die Navigationstaste, um durch die verfügbaren Schlummerphasen zu wechseln: 5 Minuten, 10 Minuten, 15 Minuten und 30 Minuten. Drücken Sie Standby, um einen Alarm oder einen Schlafalarm abzubrechen.

## 16. Auflage. UNDOK-APP

Das Gerät bietet Netzwerkfunktionalität über Smartphone oder Tablet im iOS- oder Android-System. Durch das Herunterladen der App namens UNDOK

. Bevor Sie die UNDOK-App verwenden, stellen Sie sicher, dass sich das Gerät und das Smartphone / Tablet im selben WLAN-Netzwerk befinden.

HINWEIS: Wenn ein anderes Smartphone / Tablet mit der App im selben Netzwerk Zugriff auf das Gerät hat, wird die ursprüngliche Verbindung unterbrochen.

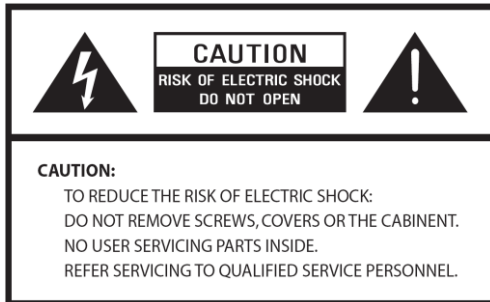
## 17. Auflage. SPEZIFIZIERUNG

<b>Modellnummer</b>	Tangent Radio Fem
Beschreibung	Internetradio/UKW/DAB+/CD/BT/USB/AUX/Spotify
Zeigen	3,2" TFT-Farbdisplay
Unterstütztes Netzwerk	WiFi IEEE 802.11b / g / n drahtlos; Bluetooth (BT 5.0, unterstützt A2DP, AVRCP Profile)
Frequenzen	WLAN: 2.400 - 2.4835 GHz; Bluetooth: 2,4 GHz - 2,48 GHz
Verschlüsselung	WEP, WPA, WPA2 (PSK), WPS
CD-Spieler	Unterstützt CD, CD-R, CD-RW
Unterstützte Formate (CD)	CD-DA, MP3, WMA (bis zu 48kHz, 384kbps)
Unterstützte Formate: (Streaming, USB)	MP3 (bis zu 320 kbit/s), WMA (bis zu 384 kbit/s), WAV (bis zu 1.536 mbit/s), AAC/AAC+ (bis zu 96kHz, 24bit), FLAC (bis zu 48kHz, 24bit)
DAB / DAB+	Band III (174,928 – 239,200 MHz)
FM	87,5 – 108,0 MHz, unterstützt RDS
Stromversorgung	100-240V – 50/60Hz 15VDC - 3A
Ferngesteuerte Batterien	2 x 1,5 V AAA Batterie
Betriebstemperatur	0 oC - 35 oC
Ausgangsleistung	2x20Watt RMS
Connections	DC-EINGANG, AUX-IN, LINE-AUSGANG, USB
Größe	430x230x148mm (B x T x H)
Gewicht netto	4,5 kg

Verdiente sich das Recht auf technische Änderungen ohne vorherige Ankündigung.



## Wichtige Sicherheitshinweise



1. Lesen Sie diese Anweisungen.
2. Bewahren Sie diese Anweisungen auf.
3. Beherzigen Sie alle Warnungen.
4. Befolgen Sie alle Anweisungen.
5. Verwenden Sie den Lautsprecher nicht in der Nähe von Wasser.
6. Nur mit einem trockenen Tuch reinigen.

**WARNUNG: UM DAS RISIKO VON FEUER ODER STROMSCHLÄGEN ZU VERRINGERN, SETZEN SIE DIESEN LAUTSPRECHER NICHT REGEN ODER FEUCHTIGKEIT AUS.**

Um das Risiko von Stromschlägen, Feuer usw. zu reduzieren:

1. Platzieren Sie das Gerät nicht in der Nähe von Wärmequellen wie Heizkörpern, Wärmeregistern, Öfen oder anderen Geräten (einschließlich Verstärkern), die Wärme erzeugen.
2. Blockieren Sie keine Lüftungsöffnungen des Geräts.
3. Das Gerät darf nicht tropfen oder spritzend sein, und es dürfen keine mit Flüssigkeiten gefüllten Gegenstände wie Vasen auf das Gerät aufgebracht werden.
4. Legen Sie keine schweren Lasten auf das Gerät und treten Sie nicht darauf, die Last kann fallen und das Gerät ernsthaft verletzen.
5. Bitte lesen Sie die Bewertungsetiketten auf der Rückseite des Geräts für die Leistungsaufnahme und andere Sicherheitsinformationen.
6. Dieses Gerät ist nur für die Verwendung mit dem mitgelieferten Netzteil vorgesehen.
7. Schützen Sie das Netzkabel davor, betreten oder eingeklemmt zu werden, insbesondere an den Steckern, den Komfortbuchsen und an jeder Stelle, an der sie aus dem Gerät austreten.
8. Ziehen Sie das Gerät niemals aus, indem Sie am Netzkabel ziehen. Halten Sie den Stecker immer fest und ziehen Sie ihn geradeaus aus der Steckdose.
9. Reparieren oder ersetzen Sie sofort alle elektrischen Wartungskabel, die ausgefranst oder anderweitig beschädigt wurden. Verwenden Sie kein Kabel, das Risse oder Abriebschäden entlang seiner Länge, des Steckers oder des Steckerendes aufweist.
10. Um Brand- oder Schockgefahr zu vermeiden, verwenden Sie diesen Stecker nicht mit einem Verlängerungskabel oder einer anderen Steckdose, es sei denn, die Klängen können vollständig eingeführt werden, um eine Exposition der Klinge zu verhindern.
11. Um Brand- oder Schockgefahr zu vermeiden, setzen Sie das Gerät nicht Regen oder Feuchtigkeit aus.
12. Ziehen Sie das Gerät an Blitz- oder Regentagen ab, um zusätzlichen Schutz bei Gewittern oder bei längerem Gebrauch zu erhalten. Dies verhindert Schäden am Gerät durch Blitzschlag und Stromstöße.
13. Versuchen Sie nicht, selbst Servicearbeiten durchzuführen. Durch das Öffnen oder Entfernen des Schrankes können Sie gefährlichen Spannungen oder anderen Gefahren ausgesetzt sein. Alle Servicearbeiten sollten von qualifizierten Technikern durchgeführt werden.
14. Die Batterie der Fernbedienung darf keiner übermäßigen Hitze wie Sonnenschein, Feuer oder dergleichen ausgesetzt werden.
15. Explosionsgefahr bei falschem Batteriewechsel. Ersetzen Sie nur durch den gleichen oder einen gleichwertigen Typ.
16. Lassen Sie das Gerät aus Sicherheitsgründen und um unnötigen Energieverbrauch zu vermeiden, das Gerät niemals über einen längeren Zeitraum unbeaufsichtigt lassen, z. B. über Nacht, im Urlaub oder außer Haus. Schalten Sie es aus und trennen Sie den Netzstecker von der Steckdose.

# Tangent Radio Fem



Internet Radio - DAB+/DAB/FM Radio - CD speler – Bluetooth – USB - Spotify

**User handleiding**

## Slag

Pak je radio voorzichtig uit de doos. Misschien wilt u de verpakking opslaan voor toekomstig gebruik.

### **Wat u in uw pakket kunt vinden**

- Hoofdeenheid
- Lichtnetadapter
- Afstandsbediening
- Handleiding

### **Uw radio positioneren**

Plaats je radio op een vlak/stabiel oppervlak dat niet onderhevig is aan trillingen.

Vermijd de volgende locaties:

- Waar de radio wordt blootgesteld aan direct zonlicht.
- Waar de radio zich dicht bij warmte-uitstralende bronnen zal bevinden.
- Waar de luchtvochtigheid hoog is en de ventilatie slecht.
- Waar het stoffig is.
- Waar het vochtig is of er een mogelijkheid is dat water op de unit druppelt of spat.

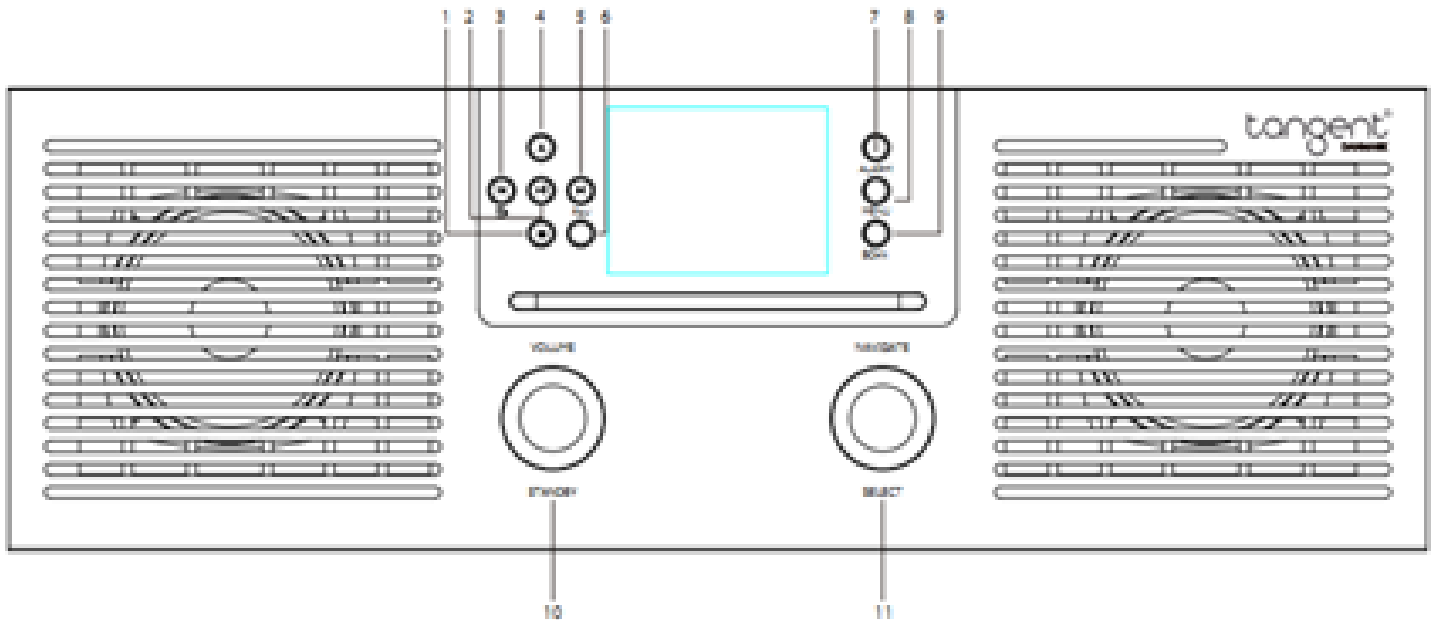
### **De antenne aanpassen**

Breid de antenne uit om ervoor te zorgen dat u de best mogelijke ontvangst ontvangt in zowel DAB- als FM-radiomodi. Het kan nodig zijn om de positie van de radio en/of antenne aan te passen om het beste signaal te bereiken.

### **Het toestel in-/uitschakelen**

Sluit de stekker aan het uiteinde van de voedingsadapterkabel aan op de **DC IN**-aansluiting aan de achterkant van het toestel. Steek vervolgens de voedingsadapter in het stopcontact. Druk op de **AAN/UIT-knop** om het toestel in of stand-by te zetten. Als u het apparaat volledig wilt uitschakelen, koppelt u de lichtnetadapter los van het stopcontact.

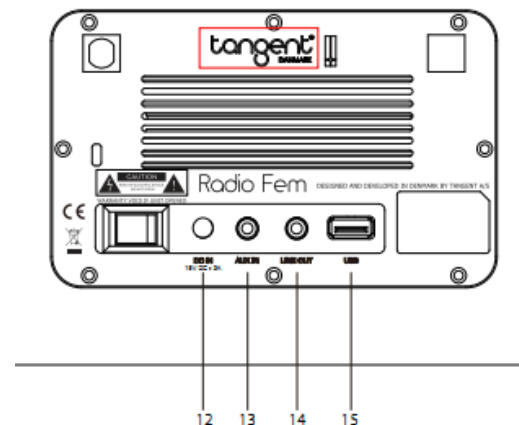
# 1. Overzicht



- 1. ■ Druk hierop om het afspelen van cd's in cd-modus te stoppen
- 2. ▶|| Afspelen/pauzeren
- 3. ◀ Fast forward (CD-modus) & Draai links / terug, **vorige** knop
- 4. ▲ Cd uitwerpen
- 5. ▶ Snel achteruit (met behulp van in CD-modus) & Draai rechts / vooruit, **Volgende knop**
- 6. FavOm de radiostations op te slaan en uit te schakelen
- 7. AlarmSet alarmen (Alarm 1 & Alarm 2)
- 8. MenuShow menu voor de huidige modus (druk lang in Menu, druk in Info)
- 9. ScanScanning in DAB & FM-modi
- 10. **Volume/Standby-knop**  
 Druk om de Rotate-knop in te schakelen om het volume aan te passen tijdens het spelen  
 Wanneer het afspelen van  
 press om het modusmenu te openen (toggle tussen de verschillende modi met de navigate-knop)  
 Longpress om uit te schakelen (stand-by)

- 11. **Knop Navigeren/Selecteren**  
 Draaiknop om te navigeren en te selecteren  
 Druk op de knop om te bevestigen wanneer dat nodig is

- 13. **DC IN** socketInput voor voeding
- 14. **AUX** IN-aansluitingInput voor 3,5 mm AUX-kabel
- 15. **Line out** socketOutput 3.5mm voor externe luidspreker
- 16. USB-poortSpeel USB-muziek of update software



## 2. Afstandsbediening

1. Standby
2. Repeat
3. EQ
4. Stoppen
5. Back / back track
6. Modus
7. Linker cursor
8. Inhoud -
9. CD-uitwerping
10. Slaaptimer
11. Programma
12. Vooruit / volgende track
13. Informatie
14. Cursor omhoog
15. Menu / terug in Menu
16. Rechter cursor
17. OK en Afspelen/Pauzeren
18. Inhoud +
19. Cursor omlaag
20. Brieven
21. Favorits
22. Dempen



## 3. FIRST STAPPEN

Zorg er voor gebruik voor dat de spanning op de voeding overeenkomt met de spanning in uw huis.

Gebruik de meegeleverde adapter om de radio aan te sluiten op een huishoudelijk stopcontact.

Wanneer het apparaat voor de eerste keer wordt ingeschakeld, wordt de installatiewizard automatisch gestart.

### 3.1 Installatiewizard

De richtlijnen voor gegevensbescherming verschijnen helemaal aan het begin. Rol deze naar beneden met de navigatieknop en bevestig door op de navigatieknop te drukken. Vervolgens verschijnt de installatiewizard.

Na het doorlopen van de installatiewizard om datum/tijd en netwerkinstellingen te configureren, is het systeem klaar voor gebruik in de meeste modi. Als u de installatiewizard opnieuw wilt uitvoeren, selecteert u Menu> Systeeminstellingen> Installatiewizard.

## 4. WERKING

### 4.1 Mode

Selecteer een modus in het hoofdmenu door de navigatieknop te draaien en druk op de navigatieknop om te bevestigen. Na een kort moment schakelt de radio over naar deze modus. Het laatste station of track dat eerder in deze modus werd gebruikt, is geselecteerd. Als dit niet mogelijk is, zoekt de radio naar relevante stations, netwerken of vraagt de gebruiker om invoer.

### 4.2 Menu navigatie

Het hoofdmenu biedt een alternatieve methode voor het selecteren van luistermodi en slaap- en alarmfuncties en een laatste optie: Systeeminstellingen> De ">" geeft opties aan die naar verdere menu's leiden.

### 4.3 Tekstinvoer

Het scherm voor gegevensinvoer toont alle beschikbare tekens en opdrachtfuncties in een eindeloze lus. Draai aan de knop om indien nodig door de lus te bladeren. Druk op de navigatieknop om het momenteel gemarkeerde teken te selecteren. Gebruik de optie BKSP (Backspace) om het laatste teken te verwijderen. Select navigatieknop om de zoekwoorden of het wachtwoord in te voeren als u klaar bent. Selecteer ANNULEREN om het invoerscherm te verlaten.

### 4.4 Vooraf ingestelde knoppen

Tot 40 vooraf ingestelde stations kunnen worden opgeslagen en opgeroepen in elke DAB-, FM- en internetradiomodus.

Om het huidige station als favoriet op te slaan, houdt u FAV ingedrukt totdat Opslaan op het display wordt weergegeven, selecteert u een van de 40 stationsleuven om het momenteel spelende station op te slaan en drukt u op de navigatieknop om te bevestigen. Als u een favoriet wilt selecteren, drukt u kort op FAV en selecteert u een van de vermelde vooraf ingestelde stations. Wanneer een vooraf ingesteld station wordt afgespeeld, wordt het vooraf ingestelde nummer, het stersymbool + nummer, onder aan het scherm weergegeven.

## 5. SYSTEEMINSTELLINGEN

### 5.1 Equalizer

Als u een EQ-instelling wilt kiezen, selecteert u Menu> Systeeminstellingen> Equalizer, er zijn verschillende vooraf gedefinieerde EQ-instellingen beschikbaar, onder een aangepaste instelling (Mijn EQ). U definieert uw eigen instellingen voor de optie "My EQ" met aangepaste instellingen voor bas en hoge tonen.

### 5.2 Netwerk

#### 5.2.1. Netwerkwizard

##### Een netwerk kiezen

Wanneer de netwerkwizard is geselecteerd, zoekt de radio automatisch naar beschikbare draadloze netwerken en geeft een lijst met SSID's (Service Set Identifiers) voor de netwerken weer, selecteert u een netwerk in de lijst.

##### Open netwerk

Als het netwerk open is (onversleuteld), wordt een draadloze verbinding tot stand gebracht en zijn er geen verdere details vereist.

##### Encrypted netwerk

Als het draadloze netwerk is beveiligd, worden opties voor het invoeren van de netwerksleutel of wachtwoordzin weergegeven op het volgende scherm.

### **Voltooiingsnetwerk**

De radio maakt verbinding met het geselecteerde netwerk. Als de verbinding mislukt, keert de radio terug naar een vorig scherm zodat u het opnieuw kunt proberen. Als de netwerkverbinding wordt verbroken, maakt de radio automatisch opnieuw verbinding.

### **5.2.2 PBC Wlan setup / WPS (Wi-Fi Protected Setup)**

De radio vraagt u om op de verbindingsknop op de router te drukken en vervolgens op de navigatieknop te drukken.

**5.2.3. Instellingen weergeven:** Geeft de instellingsdetails weer: Actieve verbindingen / MAC-adres / WiFi-regio / DHCP / SSID / IP-adres / Subnetmasker / Gatewayadres / Primaire DNS / Secundaire DNS

**5.2.4 Handmatige instellingen** : Kies tussen DHCP ingeschakeld / uitgeschakeld

**5.2.5 NetRemote PIN instellen** : stel een pincode in die moet worden ingevoerd voordat u op afstand verbinding kunt maken met de radio via een netwerk

**5.2.6 Netwerkprofiel** : Hiermee wordt een lijst weergegeven van de netwerken die de radio zal onthouden (maximaal 4).

**5.2.7 Alle netwerkinstellingen verwijderen** : Met deze optie worden de huidige netwerkinstellingen gewist.

**5.2.8 Netwerk verbonden houden** : Ongeacht of het netwerk in andere modi buiten internetradio of in stand-by wordt bewaard.

## **5.3 Tijd / Datum**

### **5.3.1 Tijd / datum instellen**

De datum en tijd worden weergegeven als DD-MM-JJJJ, waarbij de eerste waarde DD actief is (knippert). Pas elke waarde aan met de controller. Wanneer elke waarde wordt ingesteld door op de knop te drukken, wordt de volgende waarde actief en kan deze worden ingesteld.

### **5.3.2 Automatische update (van DAB, FM of netwerk) :**

Selecteer Bijwerken vanuit DAB, Bijwerken vanaf FM, Bijwerken vanaf netwerk of Geen update.

**5.3.3 Het formaat instellen** : 12 uur / 24 uur

**5.3.4 De tijdzone instellen** : Selecteer de tijdzone waarin u zich bevindt

**5.3.5 Zomertijd** : Turn zomertijd af en aan.

**5.4 Language:** De standaardtaal is Engels. Select Menu> Systeemvoorkeuren> Talen> Engels, Dansk, Nederlands, Suomi, Francais, Deutsch, Italiano, Norsk, Polski, Portugues, Espanol, Svenska, Turkce

**5.5 Fabrieksinstellingen herstellen:** selecteer Menu> Systeeminstellingen> Fabrieksinstellingen > Doorgaan, Ja. (alle gebruikersinstellingen worden teruggezet naar de standaardwaarden)

## **5.6 Software-update**

Alle gebruikersinstellingen blijven behouden na een software-upgrade.

**LET OP:** Voordat u een software-upgrade start, moet u ervoor zorgen dat de radio is aangesloten op een stabiele voeding. Het loskoppelen van de voeding tijdens de software-update kan het apparaat permanent beschadigen.

## **5.7 Installatiewizard**

**5.7.1.** Stel de datum-/tijdnotatie in.

5.7.2. Automatische update - Selecteer de bron van de klokupdate of Geen update.

5.7.3. De tijdzone instellen

5.7.4. Zomertijd

5.7.5. Netwerk verbonden houden? Ja of nee.

5.7.6. De netwerkwizard wordt automatisch uitgevoerd (zie paragraaf 5.2.1 Netwerk).

## 5.8 Informatie

Geeft details van het huidige systeem weer, waaronder:

SW-versie: softwareversienummer

Spotify-versie: versienummer

Radio ID: Unieke code die deze radio identificeert

Beschrijvende naam: naam die wordt gebruikt om de radio op het netwerk te identificeren

## 5.9 Privacybeleid

Toont een privacybeleid dat u naar onze website brengt voor volledige details van het privacybeleid van Frontier Smart Technologies:

Ga naar de volgende pagina op een pc of mobiel apparaat. : [www.Frontiersmart.com/privacy](http://www.Frontiersmart.com/privacy)

## 5.10 Achtergrondverlichting / display

Time-out: op, 10, 20, 30, 45, 60, 90, 120, 180sec

Hoog, Gemiddeld en Laag zijn beschikbaar voor het On-niveau.

Hoog, gemiddeld, laag en Uit zijn beschikbaar voor het dimniveau.

## 5.11 Lijnuitgang instellen

Selecteer Ja of Nee voor de muziekuiter om te bevestigen of de muziekuiter is toegestaan of niet.

Selecteer bij Lokale luidsprekers de optie Ja of Nee om het geluid in of uit te schakelen.

# 6. INTERNETRADIO

De radio kan duizenden radiostations en podcasts van over de hele wereld afspelen via een breedbandinternetverbinding.

Opmerking: **Het** zenderlijstmenu wordt aangeboden via het internetradioportaal en is daarom alleen beschikbaar wanneer de radio is verbonden met internet. Stationslijsten en submenu's veranderen van tijd tot tijd.

## 6.1 Land

Vertegenwoordigt een submenu om te zoeken naar stations in verschillende categorieën, selecteer de gewenste categorie en er wordt een verdere lijst met subcategorieën weergegeven of (als er geen verdere subcategorieën zijn) worden de beschikbare stations voor de geselecteerde categorie weergegeven.

## 6.2 Geschiedenis

Het station waarnaar het laatst is geluisterd, wordt geselecteerd zodra de internetradiomodus opnieuw is opgestart. Select Menu> Stationslijst> Geschiedenis om verschillende recent gebruikte stations te selecteren.

6.3 Zoeken : Search Internet zendt uit voor stations waarvan de titel bepaalde trefwoorden bevat.

## 6.4 Locatie



Selecteer een continent in het menu en er wordt een lijst met de beschikbare landen weergegeven.

Selecteer een radiostation in de lijst om af te stemmen op dat station.

### 6.5 Populair

Presenteert een lijst met de meest populaire internetomroepen van over de hele wereld.

### 6.6 Ontdekken

Hiermee kunt u kiezen uit een lijst met kanalen die zijn gedefinieerd op basis van herkomst (wereldwijd / land), genre (muziekstijl) of taal. Als u de lijst wilt weergeven, selecteert u de optie die het aantal beschikbare stations weergeeft.

### 6.7 Nu speel informatie

Name / beschrijving / artiest en track info (indien beschikbaar) worden weergegeven op het scherm tijdens het spelen. Druk op Info om de volgende details door te nemen: Slogan (standaard; indien beschikbaar); Taal / plaats; Codec en sample rate; Afspeelbuffer; De datum van vandaag etc

## 7. Podcasts

In de podcastmodus neemt de radio contact op met de portal van de provider voor een lijst met beschikbare podcasts.

Opmerking: Het podcastmenu wordt aangeboden via de podcastportal en is daarom alleen beschikbaar als de radio is verbonden met internet. Podcastlijsten en submenu's veranderen van tijd tot tijd.

### 7.1 Land

Selecteer de gewenste categorie en er wordt een andere lijst met subcategorieën weergegeven of (als er geen andere subcategorieën zijn) worden de beschikbare podcasts voor de geselecteerde categorie weergegeven.

### 7.2 Zoeken

Search podcasts met specifieke trefwoorden in de titel. Selecteer een programma in de lijst.

### 7.3 Locatie / plaats / land

Selecteer een continent uit de menu en een lijst van de beschikbare landen wordt weergegeven. Selecteer een land en de beschikbare podcasts worden weergegeven.

### 7.4 Ontdekken

Choose uit een lijst met podcasts die worden gedefinieerd door oorsprong (land), genre (music-stijl) of taal.

## 8. SPOTIFY CONNECT

Gebruik je telefoon, tablet of computer als afstandsbediening voor Spotify.

Ga naar [spotify.com/connect](http://spotify.com/connect) voor meer informatie.

Op de Spotify Software zijn licenties van derden van toepassing die je hier vindt:

<http://www.spotify.com/connect/third-party-licenses>

## 9. DAB +

De DAB-radiomodus ontvangt DAB / DAB + digitale radio en geeft informatie weer over het station, de stream en het afspelen van tracks.

### 9.1 Stationslijst

De eerste keer in dab-radiomodus of als de zenderlijst leeg is, voert de radio automatisch een volledige scan uit om te zien welke stations beschikbaar zijn.

Select Menu> stationslijst en druk op de navigatieknop. Schuif door de draaiknop om het station te selecteren waarnaar u wilt luisteren. Stations kunnen worden opgeslagen en opgeroepen zoals beschreven in paragraaf 4. 4.

#### 9.1.2. Scannen

Druk op Scannen om het scannen te starten, zodra de scan is voltooid, geeft de radio een lijst met beschikbare stations weer.

**9.1.3 Handmatig afstemmen:** De menuoptie voor handmatige afstemming om een specifiek kanaal te selecteren en de signaalsterkte voor dat kanaal te bekijken.

#### 9.1.4 . Stations verwijderen

Als u stations wilt verwijderen die wel worden vermeld maar niet beschikbaar zijn, selecteert u Menu> Ongeldig opschonen.

#### 9.1.5 Dynamic range compression (DRC)

Sommige DAB+ uitzendingen bieden DRC (Dynamic Range Compression). Als u de instelling van radio DRC wilt wijzigen, selecteert u DRC high, DRC low of DRC.

Opmerking: De instelling radio DRC heeft geen effect als de uitzending geen DRC-gegevens bevat.

#### 9.1.6 Stationsbestelling

Als u de stationsvolgorde wilt wijzigen, selecteert u Menu> Stationsvolgorde> selecteert u vervolgens Alfnumeriek of Ensemble

## 9.2 Nu aan het spelen / wat is er aan de hand

Press Info, informatie wordt getoond die de DLS-tekst, programmatype, ensemblenaam / frequentie, signaalsterkte / foutpercentage, bitsnelheid / codec / kanalen, de datum van vandaag en DL Plus (indien beschikbaar) doorloopt.

## 9.3 Diavoorstelling

Druk op de navigatieknop om door de verschillende weergaveopties te bladeren als er een diavoorstelling beschikbaar is (afhankelijk van het uitzendesignaal)..

## 10. FM

De FM-radiomodus ontvangt analoge radio van de FM-band en geeft RDS-informatie (Radio Data System) weer over het station en de uitzending.

### 10.1 Selecteer station

Druk op Scannen, het frequentiedisplay begint te scrollen terwijl de radio de FM-band scant. Stations kunnen worden opgeslagen en opgeroepen zoals beschreven in paragraaf 4. 4.

### 10.2 Nu aan het spelen / wat is er aan de hand

Terwijl een FM-station wordt afgespeeld, geeft u een van de volgende twee gegevenssets weer:

Als RDS-informatie beschikbaar is, wordt standaard de servicenaam (d.w.z. de stationsnaam) gebruikt.

Blader door meer RDS-informatie door op Info te drukken: de RDS-radiotekst, rds-programmatype, frequentie en de datum van vandaag.

Als er geen RDS-informatie beschikbaar is, wordt de momenteel ingestelde frequentie weergegeven.

### 10.3 Instellingen

#### Scaninstellingen

Standaard stoppen FM-scans op elk beschikbaar station. Als u de scaninstelling wilt wijzigen om alleen te stoppen bij statistieken met een goede signaalsterkte, selecteert u Menu> Scaninstellingen> Alleen sterke stations? > Ja

#### Audio-instellingen

Standaard worden alle stereostations in stereo weergegeven. Bij zwakke zenders kan dit leiden tot een slechte signaal-ruisverhouding (ruis). Als u zwakke zenders in mono wilt afspelen, selecteert u Menu> Audio-instellingen> Zwakke FM-ontvangst: alleen horen in mono> Ja.

## 11. CD

Het cd-menu biedt de volgende opties:

Willekeurig / Shuffle (Uit / Aan)

Herhaal (Uit / Herhalen / Alles herhalen)

In CD-modus: "Laden ..." verschijnt op het cd-functiescherm, gevolgd door "Lezen", "Geen schijf".

Plaats de uitwerpknop op de radio, plaats uw cd en het station accepteert de cd in het systeem voor weergave. Het eerste nummer op de cd wordt nu afgespeeld en toont de speeltijd.

Gebruik de knoppen vooruit of achteruit op de radio of afstandsbediening om tussen tracks te schakelen.

Pauzeer/speel met de knop op de radio of op de afstandsbediening om af te spelen of te pauzeren.

Als u achteruit / vooruit wilt springen tijdens het afspelen van een nummer, houdt u de vorige of volgende knop op de afstandsbediening ingedrukt en laat u deze los wanneer u wilt stoppen met overslaan.

#### Program

Terwijl de cd wordt afgespeeld, drukt u op de knop "Stoppen". U kunt de cd-speler programmeren om nummers in een bepaalde volgorde af te spelen. Druk gewoon op de knop "Programma" op de afstandsbediening om de programmeerstatus in te voeren. Het stersymbool wordt weergegeven. In de programma-instellingen toont het display T001 om het eerste nummer op de CD als P01 weer te geven. U kunt nu selecteren welke titel u wilt als programmanummer P01 door de knoppen "<<" en ">>" te gebruiken

om naar de titel te scrollen die u wilt selecteren. Zodra je het nummer hebt gevonden dat je voor P01 hebt geselecteerd, druk je op "Programma" en kies je je volgende geprogrammeerde nummer. Voor het volgende nummer toont het display T002 om programma 2 aan te geven. Gebruik nu de knoppen "<<" en ">>" om naar het nummer te scrollen dat u wilt selecteren. Nadat u het programma hebt geselecteerd dat u voor programma 2 hebt geselecteerd, drukt u op "Programma" en selecteert u uw volgende geprogrammeerde track. Nadat u de selectie van het programma hebt voltooid, drukt u op de knop Afspelen / "Pauzeren" om de geprogrammeerde nummers af te spelen.

Als het afspelen van programma's is ingeschakeld, drukt u tweemaal op de stopknop om de afspeelmodus van het programma te verlaten en terug te keren naar het afspelen van cd's.

**Niet alle cd's kunnen worden gebruikt.**

GEBRUIK GEEN mini-cd's (8 cm). Gebruik alleen een schijf van 12 cm op ware grootte. Mini-cd's blokkeren het invoermechanisme.

## 12. USB-poort

In de USB-modus wordt audio afgespeeld vanaf een externe bron, zoals een MP3-speler.

Shuffle / Willekeurig (Uit / Aan)

Herhaal (Uit / Herhalen / Alles herhalen)

## 13. AUX-INGANG

Functie: Om de afspeelmodus in te stellen voor externe audioprogramma. Sluit de externe audiobron aan op de Aux-IN. Pas het volume van de radio (en indien nodig het audiobronapparaat) indien nodig aan.

## 14. BLUETOOTH

De Bluetooth-naam van de radio is Tangent Radio Fem. Controleer op uw bluetooth smart device (telefoon/tablet) of bluetooth is ingeschakeld en zoek naar het apparaat. Selecteer de radio in de lijst met beschikbare Bluetooth-apparaten.

Pause, speel af, ga naar het volgende nummer en ga naar het vorige nummer (in de afspeellijst van het bedienende Bluetooth-apparaat) met behulp van de knoppen die beschikbaar zijn op de radio.

## 15. ALARM EN SLEEPTIMER

### 15.1 Slaaptimer

Slaap UIT, 15 minuten, 30 minuten, 45 minuten, 60 minuten, 90 minuten of 120 minuten.

Opmerking: De slaaptijd wordt automatisch geannuleerd wanneer de radio naar de stand-bymodus wordt geschakeld.

### 15.2 Alarm Alarm

Selecteer het alarmnummer (1 of 2) en configureer de volgende parameters:

Activeren: Uit, Dagelijks, Eenmalig, Weekend of Weekdag

Tijd: 12:00 p.m. (aanpassen indien nodig)

Datum: (pas indien nodig aan - deze optie is normaal gesproken verborgen en alleen vereist als "Once" is geselecteerd in het veld "Activeren".)

Modus: Buzz, Internetradio, DAB of FM

Standaardinstelling: Laatste volume of Volume: 1-32

Als u deze instellingen wilt opslaan en het alarm wilt instellen, scrolt u omlaag en selecteert u Opslaan.

Opmerking: Het alarm gaat af op de ingestelde tijd. Als u het tijdelijk wilt uitschakelen, drukt u op de navigatieknop. Druk herhaaldelijk op de navigatieknop om door de beschikbare snooze-periodes te bladeren: 5 minuten, 10 minuten, 15 minuten en 30 minuten. Druk op Stand-by om een alarm of een slaapalarm te annuleren.

## 16. UNDOK APP |

Het apparaat biedt netwerkfunctionaliteit via smartphone of tablet in het iOS- of Android-systeem. Door het downloaden van de app genaamd UNDOK

. Voordat u de UNDOK-app gebruikt, moet u ervoor zorgen dat het apparaat en de smartphone / tablet zich op hetzelfde WiFi-netwerk bevinden.

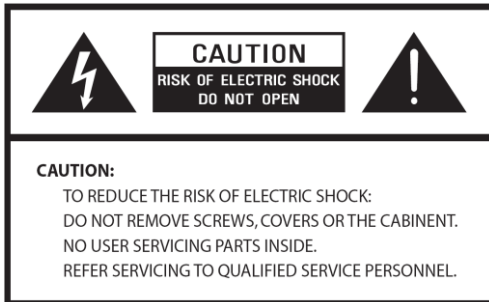
OPMERKING: Als een andere smartphone / tablet met de app in hetzelfde netwerk toegang heeft tot het apparaat, wordt de oorspronkelijke verbinding onderbroken.

## 17. SPECIFICATIE

<b>Modelnummer</b>	Tangent Radio Fem
Beschrijving	Internetradio/FM/DAB+/CD/BT/USB/AUX/Spotify
Beeldscherm	3,2" TFT-kleurendisplay
Ondersteund netwerk	WiFi IEEE 802.11b / g / n draadloos; Bluetooth (BT 5.0, ondersteunt A2DP, AVRCP-profielen)
Frequenties	WiFi: 2.400 - 2.4835 GHz; Bluetooth: 2,4 GHz - 2,48 GHz
Codering	WEP, WPA, WPA2 (PSK), WPS
Cd-speler	Ondersteunt CD, CD-R, CD-RW
Ondersteunde formaten (CD)	CD-DA, MP3, WMA (tot 48kHz, 384kbps)
Ondersteunde formaten: (Streaming, USB)	MP3 (tot 320 kbit/s), WMA (tot 384 kbit/s), WAV (tot 1.536 mbit/s), AAC/AAC+ (tot 96kHz, 24bit), FLAC (tot 48kHz, 24bit)
DAB / DAB+	Band III (174.928 – 239.200 MHz)
FM	87.5 – 108.0 MHz, ondersteuning rds
Voeding	100-240V – 50/60Hz 15VDC - 3A
Batterijen op afstand bedienen	2 x 1.5V AAA batterij
operationele temperatuur	0 oC - 35 oC
uitgangsvermogen	2x20Watt RMS
Connections	DC IN, AUX-IN, LINE-OUT, USB
grootte	430x230x148mm (B x T x H)
Gewicht netto	4,5 kg

Voorbehouden rechten op technical wijzigingen zonder voorafgaande kennisgeving.

## Belangrijke veiligheidsinstructies



1. Lees deze instructies.
2. Bewaar deze instructies.
3. Luister naar alle waarschuwingen.
4. Volg alle instructies.
5. Gebruik de luidspreker niet in de buurt van water.
6. Reinig alleen met een droge doek.

**WAARSCHUWING: OM HET RISICO OP BRAND OF ELEKTRISCHE SCHOKKEN TE VERMINDEREN, MAG U DEZE LUIDSPREKER NIET BLOOTSTELLEN AAN REGEN OF VOCHT.**

Om het risico op elektrische schokken, brand, enz. Te verminderen:

1. Plaats de eenheid niet in de buurt van een warmtebron zoals radiatoren, warmteregeesters, kachels of andere apparaten (inclusief versterkers) die warmte produceren.
2. Blokkeer geen ventilatieopeningen van de unit.
3. De eenheid mag niet worden blootgesteld aan druppelen of spatten en er mogen geen voorwerpen gevuld met vloeistoffen, zoals vazen, op de eenheid worden geplaatst.
4. Plaats geen zware lasten op het apparaat en stap er niet op, de lading kan vallen en ernstig letsel aan het apparaat veroorzaken.
5. Lees de classificatielabels aan de achterkant van het apparaat voor het ingangsvermogen en andere veiligheidsinformatie.
6. Dit toestel is alleen bedoeld voor gebruik met de meegeleverde voeding.
7. Bescherm het netsnoer tegen lopen of knijpen, met name bij de stekkers, gemakscopyënten en op elk punt waar ze uit het apparaat komen.
8. Koppel het apparaat nooit los door aan het netsnoer te trekken. Pak de stekker altijd stevig vast en trek recht uit het stopcontact.
9. Repareer of vervang alle elektrische servicekabels die gerafeld of anderszins beschadigd zijn geraakt onmiddellijk. Gebruik geen snoer dat scheuren of slijtageschade vertoont over de lengte, de stekker of het uiteinde van de connector.
10. Om brand- of schokgevaar te voorkomen, mag u deze stekker niet gebruiken met een verlengsnoer of een ander stopcontact, tenzij de messen volledig kunnen worden ingebracht om blootstelling van het mes te voorkomen.
11. Om brand- of schokgevaar te voorkomen, moet u de unit niet blootstellen aan regen of vocht.
12. Koppel tijdens bliksem- of regenachtige dagen het apparaat los voor extra bescherming tijdens onweersbuien of wanneer het apparaat gedurende langere perioden niet wordt gebruikt. Dit voorkomt schade aan het apparaat door blikseminslag en stroompieken.
13. Probeer geen servicewerkzaamheden zelf uit te voeren. Door de kast te openen of te verwijderen, kunt u worden blootgesteld aan gevaarlijke spanning of andere gevaren. Alle servicewerkzaamheden moeten worden uitgevoerd door gekwalificeerde technici.
14. De batterij van de afstandsbediening mag niet worden blootgesteld aan overmatige hitte zoals zonneschijn, vuur of iets dergelijks.
15. Explosiegevaar als de batterij verkeerd wordt vervangen. Vervang alleen door hetzelfde of een gelijkwaardig type.
16. In het belang van de veiligheid en om onnodig energieverbruik te voorkomen, laat u het apparaat nooit ingeschakeld terwijl het gedurende lange tijd onbeheerd is, bijvoorbeeld 's nachts, tijdens vakantie of buitenshuis. Schakel het uit en koppel de netstekker los van het stopcontact.

# Tangent Radio Fem



Internetradio - DAB+/DAB/FM Radio - CD-spelare – Bluetooth – USB - Spotify

**Användarhandbok**



## Komma igång

Packa försiktigt upp radion ur lådan. Du kanske vill förvara förpackningen för framtida användning.

### Vad du kan hitta inuti ditt paket

- Huvudenhet
- Nätadapter
- Fjärrkontroll
- Bruksanvisning

### Placera din radio

Placera radion på en plan/stabil yta som inte utsätts för vibrationer.

Undvik följande platser:

- Där radion kommer att utsättas för direkt solljus.
- Där radion kommer att vara nära värme som strålar källor.
- Där luftfuktigheten är hög och ventilationen är dålig.
- Där det är dammigt.
- Om det är fuktigt eller det finns risk för att vatten droppar eller stänker på enheten.

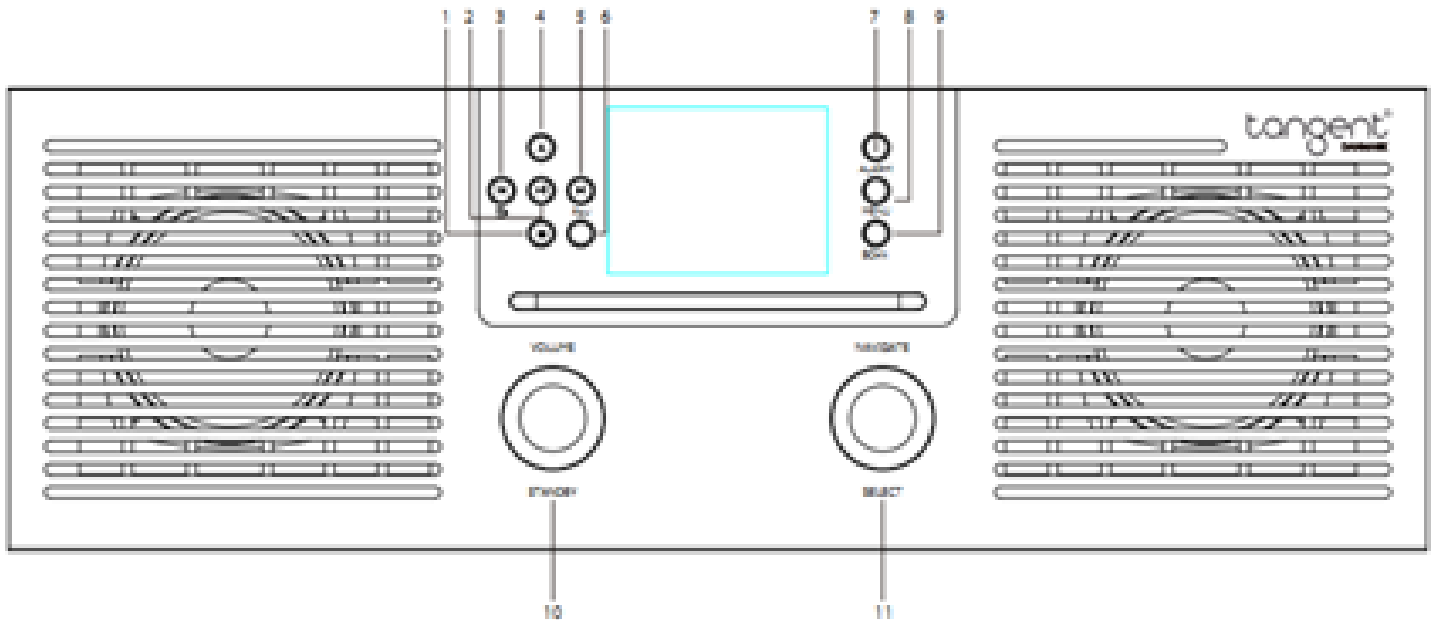
### Justera antennen

Förläng antennen för att säkerställa att du får bästa möjliga mottagning i både DAB- och FM-radiolägen. Det kan vara nödvändigt att justera radions och/eller antennens position för att uppnå bästa signal.

### Slå på/stänga av enheten

Anslut kontakten i slutet av strömadapterkabeln till **DC IN**-uttaget på baksidan av enheten. Sätt sedan in strömadaptern i nätuttaget. Tryck på **POWER**-knappen för att slå på eller standby-enheten. Om du vill stänga av enheten helt kopplar du ur strömadaptern från nätuttaget.

## 1. Översikt



1. ■ Tryck för att stoppa CD-uppspelning i CD-läge
2. ▶|| Spela upp/pausa
3. ◀ Snabbspolning framåt (CD-läge) & Sväng vänster / ryg, Föregående knapp
4. ▲ UTMATNING AV CD-skiva
5. ▶ Snabb bakåt (använd i CD-läge) & Sväng höger/framåt, **Knappen Nästa**
6. FavFör att spara och slå ut radiostationerna
7. LarmSet larm (Larm 1 & Larm 2)
8. MenuShow-menyn för det aktuella läget (tryck länge på menyn, tryck på Info)
9. ScanScanning i DAB - och FM-lägen

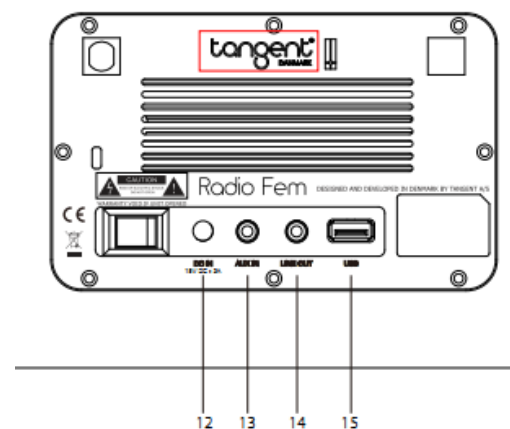
## 10. Knopp för volym/vänteläge

Tryck för att slå påRotat ratt för att justera volymen när du spelarNär du spelar  
press för att komma in i lägesmenyn (växla mellan de olika lägena med navigate-knappen)  
Longpress stänger av (vänteläge)

## Elva. Navigera/välj ratt

Vrid ratten för att navigera och välj  
Tryck på ratten för att bekräfta vid behov

13. DC IN socketInput for powersupply
14. AUX IN socketInput för 3,5 mm AUX-kabel
15. Line out socketOutput 3.5mm för extern högtalare
16. USB-portSpela USB-musik eller uppdatera programvara



## 2. Fjärrkontroll

1. Standby
2. Repeat
3. EQ
4. Stanna
5. Back / back track
6. Läge
7. Vänster markör
8. Volym -
9. CD-utmatning
10. Sömntimer
11. Program
12. Framåt / nästa spår
13. Info
14. Markören uppåt
15. Meny / tillbaka i menyn
16. Höger markör
17. OK und Play/Pause
18. Volym +
19. Markören nedåt
20. Brev
21. Favoriter
22. Stäng av ljudet



## 3.FIRST STEG

Före drift, se till att spänningen som anges på strömförsörjningen matchar spänningen i ditt hus.

Använd den medföljande adaptern för att ansluta radion till ett hushållsuttag.

När enheten slås på för första gången startar installationsguiden automatiskt.

### 3.1 Installationsguide

Dataskyddsriktlinjerna förekommer redan från början. Scroll dessa ner med navigationsratten och bekräfta genom att trycka på navigeringsratten. Sedan visas installationsguiden.

När du har gått igenom installationsguiden för att konfigurera datum/tid och nätverksinställningar är systemet redo att användas i de flesta lägen. Om du vill köra installationsguiden igen väljer du Meny> Systeminställningar> installationsguiden.

## 4. DRIFT

### 4.1 Mode

Välj ett läge på huvudmenyn genom att vrida navigeringsratten och tryck på Navigeringsratten för att bekräfta. Efter en kort stund växlar radion till det här läget. Den sista stationen eller spåret som tidigare användes i det här läget är markerat. Om detta inte är möjligt söker radion efter relevanta stationer, nätverk eller uppmanar användaren att komma in.

### 4.2 Menynavigering

Huvudmenyn erbjuder en alternativ metod för att välja lyssningslägen samt sömn- och larmfunktioner och ett sista alternativ: Systeminställningar > ">" indikerar alternativ som leder till ytterligare menyer.

### 4.3 Textpost

Datainmatningsskärmen visar alla tillgängliga tecken och kommandofunktioner i en oändlig slinga. Vrid ratten för att bläddra igenom slingan efter behov. Tryck på navigeringsknappen för att välja det markerade tecknet. Avmarkera alternativet BKSP (Backsteg) för att ta bort det sista tecknet. Markera navigeringsratten för att ange sökorden eller lösenordet när du är klar. Välj AVBRYT om du vill avsluta inmatningsskärmen.

### 4.4 Förinställda knappar

Upp till 40 förinställda stationer kan lagras och anropas i varje DAB-, FM- och Internetradioläge.

Om du vill spara den aktuella stationen som favorit trycker du på och håller ned FAV tills Spara visas på displayen genom att välja en av de 40 stationsplatserna för att spara den aktuella spelstationen och tryck på Navigationsknappen för att bekräfta. Om du vill välja en favorit trycker du kort på FAV och väljer en av de angivna förinställda stationerna. När en förinställd station spelas visas dess förinställda nummer, stjärnsymbol + nummer, längst ned på skärmen.

## 5. SYSTEMINSTÄLLNINGAR

### 5.1 Utjämnare

Om du vill välja en EQ-inställning väljer du Meny > Systeminställningar > Equalizer, det finns flera fördefinierade EQ-inställningar tillgängliga, also en anpassad inställning (Min EQ). To definierar dina egna inställningar för alternativet "My EQ" med anpassade inställningar för bas och diskant.

### 5.2 Knyter kontakt

#### 5.2.1 Guiden Nätverk

##### Välja ett nätverk

När nätverksguiden är markerad söker radion automatiskt efter tillgängliga trådlösa nätverk och visar en lista över SSID(Service Set Identifiers) för nätverken, väljer ett nätverk i listan.

##### Öppna nätverk

Om nätverket är öppet (okrypterat) upprättas en trådlös anslutning och inga ytterligare detaljer krävs.

##### Enkrypterat nätverk

Om det trådlösa nätverket är skyddat visas alternativ för att ange nätverksnyckeln eller lösenfrasen på nästa skärm.

##### Kompletteringsnätverk

Radion ansluter till det valda nätverket. Om anslutningen misslyckas återgår radion till en tidigare skärm så att du kan försöka igen. Om nätverksanslutningen går förlorad kommer radion automatiskt att återanslutas.

### 5.2.2 PBC Wlan setup / WPS (Wi-Fi Protected Setup)

Radion uppmanar dig att trycka på anslutningsknappen på routern och sedan trycka på Navigationsratten.

### 5.2.3 Visningsinställningar: Visar inställningsinformationen: Aktiva anslutningar / MAC-adress / WiFi-region / DHCP / SSID / IP-adress / Nätmask / Gatewayadress / Primär DNS / Sekundär DNS

### 5.2.4 Manuella inställningar: Välj mellan DHCP-aktiverad /inaktiverad

### 5.2.5 PIN-inställning till NetRemote: ange ett PIN-nummer som måste anges innan du kan ansluta till radion på distans via ett nätverk

### 5.2.6 Nätverksprofil: Detta visar en lista över de nätverk som radion kommer att komma ihåg (högst 4).

### 5.2.7 Ta bort alla nätverksinställningar: Det här alternativet rensar de aktuella nätverksinställningarna.

### 5.2.8 Håll nätverket anslutet: Se till att nätverket behålls i andra lägen utanför Internetradion eller i vänteläge.

## 5.3 Tid / Datum

### 5.3.1 Ange tid/datum

Datum och tid visas som DD-MM-YYYY, där det första värdet DD är aktivt (blinkar). Justera varje värde med styrenheten. När varje värde ställs in genom att trycka på ratten blir nästa värde aktivt och kan ställas in.

### 5.3.2 Automatisk uppdatering (från DAB, FM eller Nätverk) :

Välj Uppdatera från DAB, Uppdatera från FM, Uppdatera från nätverk eller Ingen uppdatering.

### 5.3.3 Inställning av format : 12 timmar / 24 timmar

### 5.3.4 Ställa in tidszon: Välj tidszon du befinner dig i

### 5.3.5 Sommartid: Sommartid och ledighet.

### 5.4 Language: Standardspråket är engelska. Select Menu> SystemInställningar> språk> engelska, Dansk, Nederlands, Suomi, Francais, Deutsch, Italiano, Norsk, Polski, Portugues, Espanol, Svenska, Turkce

### 5.5 Fabriksåterställning: välj Meny> Systeminställningar> Fabriksåterställning > Fortsätt, Ja. (alla användarinställningar återställs till standardvärdena)

## 5.6 Programvaruuppdatering

Alla användarinställningar behålls efter en programuppdatering.

**WARNING:** Innan du påbörjar en programvaruuppdatering ska du se till att radion är ansluten till en stabil strömförsörjning. Om du kopplar från strömförsörjningen under programuppdateringen kan enheten skadas permanent.

## 5.7 Installationsguide

### 5.7.1. Ange datum/tidsformat.

### 5.7.2. Automatisk uppdatering - Välj klockuppdateringskälla eller Ingen uppdatering.

### 5.7.3. Ange tidszon

### 5.7.4. Sommartid

### 5.7.5. Hålla nätverket anslutet? Ja eller nej.

### 5.7.6. Nätverksguiden körs automatiskt (se avsnitt 5.2.1 Nätverk).

## 5.8 Information

Visar information om det aktuella systemet, inklusive:

SW-version: programvaruversionsnummer

Spotify Version: versionsnummer

Radio-ID: Unik kod som identifierar den här radion

Vänligt namn: Namn som används för att identifiera radion i nätverket

### 5.9 Sekretesspolicy

Visar en sekretesspolicy som tar dig till vår webbplats för fullständig information om Frontier Smart

Technologies sekretesspolicy:

Besök följande sida på en dator eller mobil enhet. : [www.Frontiersmart.com/privacy](http://www.Frontiersmart.com/privacy)

### 5.10 Bakgrundsbelysning / skärm

Time out: on, 10, 20, 30, 45, 60, 90, 120, 180sec

Hög, medel och låg är tillgängliga för on-nivå.

Hög, medel, låg och Av är tillgängliga för dimnivån.

### 5.11 Inställningar för linjeutgång

Välj Ja eller Nej för musikutmatningen för att bekräfta om musikutmatningen är tillåten eller inte.

För lokala högtalare väljer du Ja eller Nej om du vill slå på eller stänga av ljudet eller inte.

## 6. INTERNETRADIO

Radion kan spela tusentals radiostationer och podcasts från hela världen via bredbandsuppkoppling.

Observera: **Stationslistemenyn** tillhandahålls via Internetradioportalen och är därför endast tillgänglig när radion är ansluten till Internet. Stationslistor och undermenyer ändras då och då.

### 6.1 Land

Representerar en undermeny för att söka efter stationer i olika kategorier, Välj önskad kategori och antingen visas ytterligare en lista över underkategorier eller (om det inte finns några ytterligare underkategorier) listas tillgängliga stationer för den valda kategorin.

### 6.2 Historia

The-stationen som senast lyssnade på är vald när omstartat Internet-radioläge. Select Menu> Station List> History för att välja olika nyligen använda station.

### 6.3 Sök: Search Internet-sändningar för stationer vars titel innehåller vissa nyckelord.

### 6.4 Plats

Välj en kontinent på menyn så visas en lista över tillgängliga länder. Välj en radiostation i listan för att ställa in den stationen.

### 6.5 Populärt

Presenterar en lista över de mest populära internet-programföretagen från hela världen.

### 6.6 Upptäck

Låter dig välja från en lista över kanaler som definieras antingen efter ursprung (över hela världen / land), genre (musikstil) eller språk. Om du vill visa listan väljer du alternativet som visar antalet tillgängliga stationer.

### 6.7 Spelar nu information

Name/ beskrivning / artist och track info (om tillgänglig) visas på skärmen medan du spelar. Tryck på Info för att gå igenom följande information: Slogan (standard; om tillgängligt); Språk / plats; Codec och samplingshastighet. Uppspelningsbuffert; Dagens datum etc.

## 7. Podcasts

I podcastläge kontaktar radion leverantörens portal för en lista över tillgängliga podcasts.

Poddmenyn tillhandahålls via podcastportalen och är därför endast tillgänglig om radion är ansluten till Internet. Podcastlistor och undermenyer ändras då och då.

### 7.1 Land

Välj önskad kategori och antingen visas en annan lista över underkategorier eller (om det inte finns några ytterligare underkategorier) kommer de tillgängliga podcasterna för den valda kategorin att listas.

### 7.2 Sök

Search podcasts med specifika nyckelord i titeln. Välj ett program i listan.

### 7.3 Plats / plats / land

Välj en kontinent från menu och en lista över tillgängliga länder visas. Välj ett land så visas tillgängliga podcaster.

### 7.4 Upptäck

Choose från en lista över podcasts som definieras antingen efter ursprung (land), genre (musisk stil) eller språk.

## 8. SPOTIFY CONNECT



Använd din telefon, surfplatta eller dator som fjärrkontroll för Spotify.

För att ta reda på hur, besök [spotify.com/connect](http://spotify.com/connect).

Spotify-programvaran är föremål för tredjepartslicenser som finns här: <http://www.spotify.com/connect/third-party-licenses>

För att lyssna på Spotify på din radio behöver du ett Spotify premiumkonto.

## 9. DAB +

DAB-radioläget tar emot DAB / DAB + digitalradio och visar information om station, ström och spåruppspelning.

### 9.1 Postera listor

Första gången i DAB-radioläge eller om stationslistan är tom, kommer radion automatiskt att göra en fullständig skanning för att se vilka stationer som är tillgängliga.

Select Menu> Station list och tryck på navigeringsknappen. Rulla rotationskontrollen för att välja den station du vill lyssna på. Stationer kan sparas och kallas in enligt beskrivningen i avsnitt 4. 4.

#### 9.1.2 Skanning

Tryck på Scan för att börja skanna, once skanningen är klar, radion kommer att visa en lista över tillgängliga stationer.

#### 9.1.3 Manuell justering: Alternativet manuell justeringsmeny för att välja en viss kanal och visa signalstyrkan för den kanalen.

#### 9.1.4 Ta bort posterar

Om du vill ta bort stationer som är listade men inte tillgängliga väljer du Meny> Rensa ogiltig.

### 9.1.5 Komprimering av dynamiskt intervall (DRC)

Vissa DAB + sändningar erbjuder DRC (Dynamic Range Compression). Om du vill ändra inställningen för radio-DEMOKRATISKA REPUBLIKEN Kongo väljer du DRC-hög, DRC låg eller DRC.

Obs: Inställningen för radions DEMOKRATISKA RÅD har ingen effekt om sändningen inte innehåller DRC-data.

### 9.1.6 Stationsbeställning

Om du vill ändra stationsordningen väljer du Meny> Stationsordning> väljer sedan Alfanumerisk eller Ensemble

### 9.2 Spelar nu / vad händer

Press Info, information kommer att visas som inkluderar DLS-text, programtyp, ensemblenamn / frekvens, signalstyrka / felfrekvens, bithastighet / codec / kanaler, dagens datum och DL Plus (om tillgängligt) cykel igenom.

### 9.3 Bildspel

Tryck på navigeringsknappen för att bläddra igenom de olika visningsalternativen om ett bildspel är tillgängligt (beroende på sändningssignalen).

## 10. FM

FM-radioläget tar emot analog radio från FM-bandet och visar RDS-information (Radio Data System) om stationen och sändningen.

### 10.1 Välj station

Tryck på Skanna, the frekvensvisning börjar rulla när radion skannar FM-bandet. Stationer kan sparas och kallas in enligt beskrivningen i avsnitt 4. 4.

### 10.2 Spelar nu / vad händer

När en FM-station spelas visar du en av följande två datauppsättningar:

Om rds-information är tillgänglig kommer den som standard till tjänstnamnet (dvs. stationsnamnet). Scroll genom mer RDS-information genom att trycka på Info: RDS-radiotexten, RDS-programtypen, frekvensen och dagens datum.

Om ingen rds-information är tillgänglig visas den aktuella frekvensen.

### 10.3 Inställningar

#### Genomsökningsinställningar

Som standard stoppas FM-skanningar på alla tillgängliga stationer. Om du vill ändra skanningsinställningen så att den bara stoppas på stationer med god signalstyrka väljer du Meny> Skanna inställningar> Endast starka stationer? > Ja

#### Ljudinställningar

Som standard återges alla stereostationer i stereo. Med svaga sändare kan detta leda till ett dåligt signal-till-brus-förhållande (brus). Om du vill spela upp svaga stationer i mono väljer du Meny> Ljudinställningar> Svag FM-mottagning: hör bara i mono> Ja.

## Elva. CD

CD-menyn erbjuder följande alternativ:



Slumpmässig / Blandning (Av / På)

Upprepa (Av / Upprepa / Upprepa alla)

I CD-läge: "Laddar ..." visas på CD-funktionsskärmen, följt av "Läsning", "Ingen skiva".

Tryck in utmatningsknappen på radion, sätt in CD:n så accepterar cd:n i systemet för uppspelning. Den första låten på CD:n kommer nu att spelas och visar speltiden.

Använd framåt- eller bakåtknapparna på radion eller fjärrkontrollen för att växla mellan spår. Pausa/ spela med knappen på radion eller på fjärrkontrollen för att spela eller pausa.

Om du vill hoppa bakåt/framåt medan du spelar en låt trycker du på och håller ned föregående eller nästa knapp på fjärrkontrollen och släpper den när du vill sluta hoppa över.

### **Program**

Medan CD:n spelas trycker du på "Stopp"-knappen. Du kan programmera CD-spelaren att spela upp spår i en viss ordning. Tryck bara på "Program"-knappen på fjärrkontrollen för att ange programmeringsstatus.

Stjärnsymbolen visas. I programinställningarna visar displayen T001 för att visa det första spåret på CD:n som P01. Du kan nu välja vilken titel du vill ha som programnummer P01 genom att använda knapparna

"<<" och ">>" för att bläddra till den titel du vill välja. När du har hittat låten du valde för P01 trycker du på

"Program" och väljer din nästa programmerade låt. För nästa låt visar displayen T002 för att indikera

program 2. Använd nu knapparna "<<" och ">>" för att bläddra till den låt du vill välja. När du har valt det

program du valt för program 2 trycker du på "Program" och väljer nästa programmerade spår. När du har

slutfört valet av programlåt trycker du på knappen Spela / "Pausa" för att spela de programmerade låtarna.

Om programuppspelningen är på trycker du på stoppknappen två gånger för att avsluta

programuppspelningsläget och återgår till CD-uppspelning.

### **Alla CD-skivor kan inte användas.**

ANVÄND INTE Mini-CD-skivor (8 cm). Använd endast 12 cm skiva i full storlek. Mini-CD-skivor blockerar matningsmekanismen.

## 12. USB

I USB-läge spelas ljud upp från en extern källa, till exempel en MP3-spelare.

Blanda / Slumpmässigt (Av / På)

Upprepa (Av / Upprepa / Upprepa alla)

## 13. AUX IN

Funktion: Så här ställer du in spelläget för externa ljudprogram. Anslut den externa ljudkällan till Aux-IN.

Justera volymen på radion (och ljudkällanheten vid behov) efter behov.

## 14. BLUETOOTH

Radions Bluetooth-namn är Tangent Radio Fem. På din bluetooth-smarta enhet (telefon / surfplatta)

kontrollerar du att Bluetooth är aktiverat och sök efter enheten. Välj radio i listan över tillgängliga Bluetooth-enheter.

Pause, spela, hoppa till nästa spår och hoppa till föregående spår (i spellistan för den kontrollerande Bluetooth-enheten) med hjälp av knapparna som är tillgängliga på radion.

## 15. LARM OCH SÖMNTIMER

### 15.1 Sömntimer

Sov av, 15 minuter, 30 minuter, 45 minuter, 60 minuter, 90 minuter eller 120 minuter.

En vilolägestid avbryts automatiskt när radion växlas till standby-läge.

### 15.2 Larmlarm

Välj larmnumret (1 eller 2) och konfigurera följande parametrar:

Aktivera: Av, dagligen, en gång, helg eller veckodag

Tid: 12:00 p.m. (justera efter behov)

Datum: (justera efter behov - det här alternativet är normalt dolt och krävs endast om "En gång" är valt i fältet "Aktivera".)

Läge: Buzz, Internetradio, DAB eller FM

Standardinställning: Senaste volym eller volym: 1-32

Om du vill spara dessa inställningar och ställa in alarmet bläddrar du nedåt och väljer Spara.

Obs: Larmet ljuder vid den inställda tiden. Om du vill stänga av den tillfälligt trycker du på

Navigeringsknappen . Tryck på navigeringsknappen upprepade gånger för att bläddra igenom de tillgängliga snooze-perioderna: 5 minuter, 10 minuter, 15 minuter och 30 minuter. Tryck på Standby för att avbryta ett larm eller ett sömnlarm.

## 16. ÅNGRA APP

Enheten erbjuder nätverksfunktionalitet via smartphone eller surfplatta i iOS- eller Android-systemet. Genom att ladda ner appen som heter UNDOK

. Innan du använder UNDOK-appen, se till att enheten och smarttelefonen / surfplattan finns på samma WiFi-nätverk.

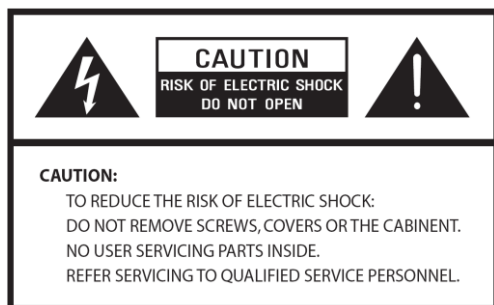
OBS: Om en annan smartphone / surfplatta med appen i samma nätverk har tillgång till enheten kommer den ursprungliga anslutningen att avbrytas.

## 17. SPECIFICATION

<b>Modellnummer</b>	Tangent Radio Fem
Beskrivning	Internetradio/FM/DAB+/CD/BT/USB/AUX/Spotify
Visa	3,2-fots TFT-färgskärm
Nätverk som stöds	WiFi IEEE 802.11b/g/n trådlöst; Bluetooth (BT 5.0, stöder A2DP- och AVRCP-profiler)
Frekvenser	WiFi: 2.400 - 2.4835 GHz; Bluetooth: 2,4 GHz - 2,48 GHz
Kryptering	WEP, WPA, WPA2 (PSK), WPS
CD-spelare	Stöder CD, CD-R, CD-RW
Format som stöds (CD)	CD-DA, MP3, WMA (upp till 48 kHz, 384kbps)
Format som stöds: (Streaming, USB)	MP3 (upp till 320 kbit/s), WMA (upp till 384 kbit/s), WAV (upp till 1,536 mbit/s), AAC/AAC+ (upp till 96 kHz, 24bit), FLAC (upp till 48 kHz, 24bit)
DAB / DAB+	Band III (174.928 – 239.200 MHz)
FM	87,5 – 108,0 MHz, stöd rds
Strömkälla	100-240V – 50/60Hz 15VDC - 3A
Fjärrstyrda batterier	2 x 1,5V AAA-batteri
driftstemperatur	0 oC - 35 oC
uteffekt	RMS för 2x20Watt
Connections	DC IN, AUX-IN, LINE OUT, USB
storlek	430x230x148mm (B x T x H)
Vikt netto	4,5 kg

Reserved rättigheter till technical ändringar utan föregående meddelande.

## Viktiga säkerhetsinstruktioner



1. Läs dessa instruktioner.
2. Behåll dessa instruktioner.
3. Lyssna på alla varningar.
4. Följ alla instruktioner.
5. Använd inte högtalaren i närheten av vatten.
6. Rengör endast med torr trasa.

**VARNING: FÖR ATT MINSKA RISKEN FÖR BRAND ELLER ELEKTRISKA STÖTAR, UTSÄTT INTE HÖGTALAREN FÖR REGN ELLER FUKT.**

För att minska risken för elektriska stötar, brand etc.:

1. Placera inte enheten nära någon värmekälla som radiatorer, värmeregister, spisar eller andra apparater (inklusive förstärkare) som producerar värme.
2. Blockera inga ventilationsöppningar i enheten.
3. Enheten får inte utsättas för dropp eller stänk och inga föremål fyllda med vätskor, såsom vaser, får placeras på enheten.
4. Placera inga tunga laster på enheten och trampa inte på den, lasten kan falla och orsaka allvarliga skador på enheten.
5. Läs Klassificeringsetiketter på baksidan av enheten för inmatning av ström och annan säkerhetsinformation.
6. Denna enhet är endast avsedd att användas med den medföljande strömförsörjningen.
7. Skydda nätsladden från att gå på eller klämmas, särskilt vid kontakterna, bekvämlighetsbehållare och när som helst där de lämnar enheten.
8. Koppla aldrig ur enheten genom att dra i nätsladden. Ta alltid tag i kontakten ordentligt och dra rakt ut ur uttaget.
9. Reparera eller byt ut alla elektriska servicesladdar som har slitits sönder eller på annat sätt skadats omedelbart. Använd inte en sladd som visar sprickor eller nötningskador längs dess längd, kontakten eller kontaktänden.
10. För att förhindra brand- eller stötrisk, använd inte denna kontakt med förlängningssladd eller annat uttag om inte bladen kan sättas in helt för att förhindra att klingan exponeras.
11. För att förhindra brand- eller stötrisk, utsätt inte enheten för regn eller fukt.
12. Under blixtnedslag eller regniga dagar ska du koppla ur enheten för extra skydd vid åskväder eller när enheten inte används under längre perioder. Detta förhindrar skador på enheten från blixtnedslag och strömtoppar.
13. Försök inte utföra något servicearbete själv. Genom att öppna eller ta bort skåpet kan du utsättas för farlig spänning eller andra faror. Allt servicearbete bör utföras av kvalificerade tekniker.
14. Batteriet i fjärrkontrollen får inte utsättas för överdriven värme såsom solsken, eld eller liknande.
15. Explosionsrisk om batteriet byts ut felaktigt. Ersätt endast med samma eller motsvarande typ.
16. För säkerhets skull och för att undvika onödig energiförbrukning ska du aldrig lämna enheten påslagen medan den är obebakad under långa tidsperioder, t.ex. över natten, på semester eller när du är ute ur huset. Stäng av den och koppla bort nätkontakten från nätuttaget.

# Tangent Radio Fem



Internet Radio - DAB+/DAB/FM Radio - CD-soitin – Bluetooth - USB - Spotify

**User-käsikirja**

## Aloitusopas

Pura radio varovasti laatikosta. Pakkaus kannattaa säilyttää myöhempää käyttöä varten.

### Mitä löydät paketistasi

- Pääyksikkö
- Virtalähde
- Kaukosäädin
- Käyttöohjeet

### Radion sijoittaminen

Aseta radio tasaiselle / vakaalle pinnalle, joka ei ole alttiina tärinälle.

Vältä seuraavia sijainteja:

- Missä radio altistuu suoralle auringonvalolle.
- Missä radio on lähellä lämpöä säteileviä lähteitä.
- Jos kosteus on korkea ja ilmanvaihto on huono.
- Missä se on pölyinen.
- Jos se on kostea tai on mahdollista, että vettä tippuu tai roiskuu yksikköön.

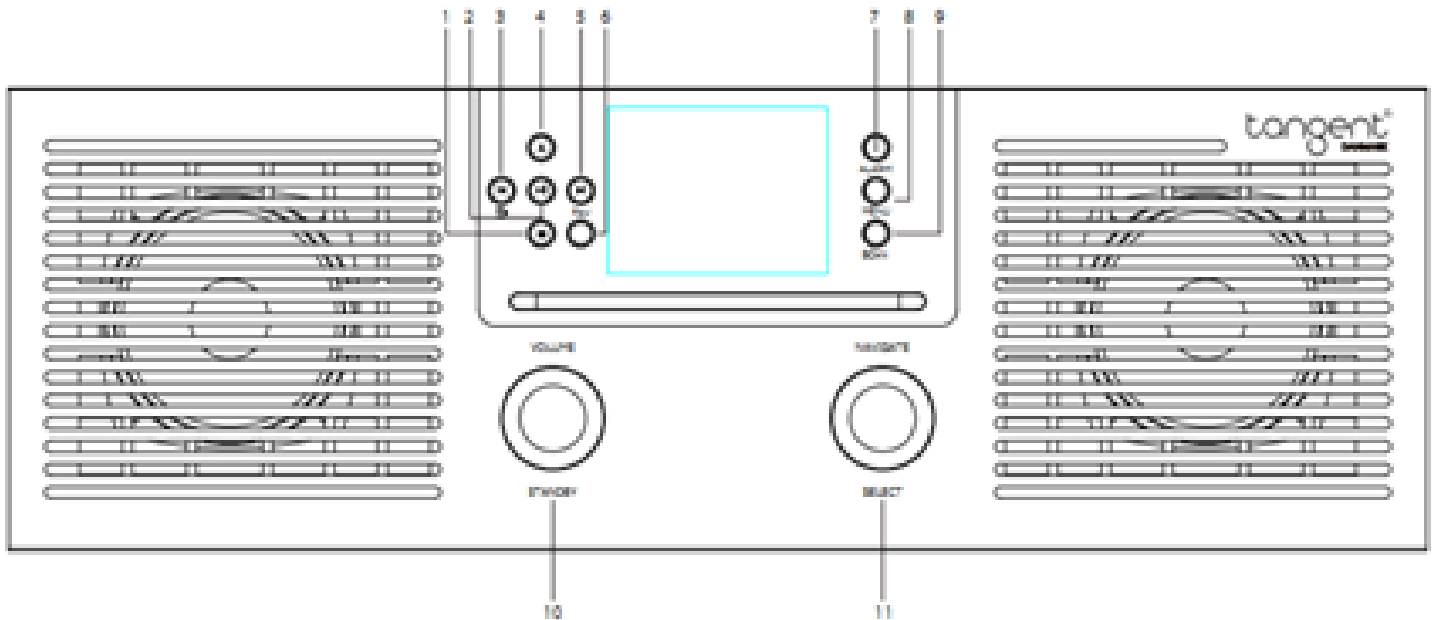
### Antennin säätäminen

Laajenna antennia varmistaaksesi, että saat parhaan mahdollisen vastaanoton sekä DAB- että FM-radiotiloissa. Radion ja /tai antennin sijaintia voi olla tarpeen säätää parhaan signaalin saavuttamiseksi.

### Laitteen kytkeminen päälle/pois päältä

Liitä verkkolaitteen kaapelin päässä oleva pistoke laitteen takana olevaan **DC IN** -liitäntään. Aseta sitten verkkolaite pistorasiaan. Kytke laite päälle tai valmiustilaan painamalla POWER-painiketta. Jos haluat kytkeä laitteen kokonaan pois päältä, irrota verkkolaite pistorasiasta.

## 1. Yleiskatsaus



1. ■ Paina lopettaaksesi CD-levyn toiston CD-tilassa
2. ▶|| Toista/keskeytä
3. ◀ Kelaat eteenpäin (CD-tila) & Käännä vasemmalle / takaisin, Edellinen-painike
4. ▲ CD-levyn poisto
5. ▶ Kelaat taaksepäin (CD-tilassa) & käännä oikealle/eteenpäin, **Seuraava-painike**
6. FavVoi tallentaa ja poistaa radioasemat
7. AlarmSet-hälytykset (Hälytys 1 ja Hälytys 2)
8. MenuNäytä nykyisen tilan valikkoa (paina pitkään valikkoon, paina tiedot)
9. ScanScanning DAB- ja FM-tiloissa

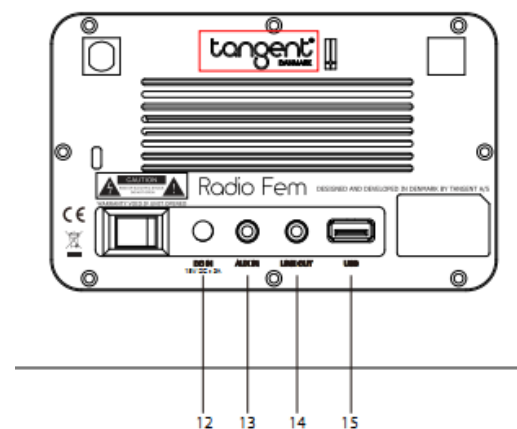
## 10. Äänenvoimakkuuden/valmiustilan nappi

Paina kytkeäksesi päälle Rotate-nappi sääteäksesi äänenvoimakkuutta toistettaessa Kun toistat press siirtyäksesi tilavalikkoon (kiemurtele eri tilojen välillä siirtymispainikkeella) Longpress sammuu (valmiustila)

## 11. Navigoi/Valitse nappi

Navigoi napauttamalla nappia ja valitse  
Vahvista tarvittaessa painamalla nappia

13. DC IN - pistorasia Virtalähteen tehonsyöttö
14. AUX IN - pistorasia Input 3,5 mm: n AUX-kaapelille
15. Line Out socket Output 3,5mm ulkoiselle kaiuttimelle
16. USB-portti Toista USB-musiikkia tai päivitä ohjelmisto



## 2. Kaukosäädin

1. Valmiustila
2. Toista
3. EQ
4. Seis
5. Taka-/takarata
6. Tila
7. Vasen kohdistin
8. Tilavuus -
9. CD-sinkoutuminen
10. Nukkuma-ajastin
11. Ohjelma
12. Eteenpäin / seuraava kappale
13. Tiedot
14. Kohdistista ylös
15. Valikko / takaisin valikossa
16. Oikea kohdistin
17. OK und Toista /Keskeytä
18. Tilavuus +
19. Kohdistista alas
20. Kirjeet
21. Suosikit
22. Mykistä



## 3.FIRST-VAIHEET

Varmista ennen käyttöä, että virtalähteessä ilmoitettu jännite vastaa talosi jännitettä.

Liitä radio mukana toimitetulla sovittimella kotitalouspistorasiaan.

Kun laite kytketään päälle ensimmäistä kertaa, ohjattu asennustoiminto käynnistyy automaattisesti.

### 3.1 Ohjattu asennustoiminto

Tietosuojaohjeet näkyvät aivan alussa. Kiemurtele nämä alas navigointinupilla ja vahvasta painamalla navigaattorinuppia. Sitten ohjattu asennustoiminto tulee näkyviin.

Kun olet suorittanut ohjatun asennustoiminnon päivämäärän/ kellonajan ja verkkoasetusten määrittämiseksi, järjestelmä on valmis käytettäväksi useimmissa tiloissa. Jos haluat suorittaa ohjatun asennustoiminnon uudelleen, valitse Valikko> Järjestelmäasetukset> Ohjattu asennustoiminto.



## 4. KÄYTTÖ

### 4.1 Modi

Valitse tila päävalikosta kiertämällä navigointinuppia ja vahvasta painamalla navigointinuppia. Lyhyen hetken kuluttua radio siirtyy tähän tilaan. Viimeinen asema tai kappale, jota on aiemmin käytetty tässä tilassa, on valittuna. Jos tämä ei ole mahdollista, radio etsii asiaankuuluvia asemia, verkkoja tai pyytää käyttäjää syöttämään.

### 4.2 Valikon navigointi

Päävalikko tarjoaa vaihtoehtoisen tavan valita kuuntelutilat sekä lepotila- ja hälytystoiminnot ja lopullisen vaihtoehdon: Järjestelmäasetukset> ">" osoittaa vaihtoehtoja, jotka johtavat uusiin valikoihin.

### 4.3 Tekstin kirjoittaminen

Tietojen syöttönäytössä näkyvät kaikki käytettävissä olevat merkit ja komentotoiminnot loputtomassa silmukassa. Selaa silmukkaa tarvittaessa kiertämällä nuppia. Valitse korostettu merkki painamalla navigointinuppia. Poista viimeinen merkki valitsemalla BKSP (askelpalautin). Valitse navigointinuppi, jos haluat syöttää hakusanat tai salasanan, kun olet valmis. Poistu syöttönäytöstä valitsemalla PERUUTA.

### 4.4 Esiasetetut painikkeet

Jokaisessa DAB-, FM- ja Internet-radiotilassa voidaan tallentaa ja soittaa jopa 40 esiasetettua asemaa. Jos haluat tallentaa nykyisen aseman suosikiksi, pidä FAV: tä painettuna, kunnes Tallenna näkyy näytöllä, valitse yksi 40 aseman paikasta tallentaaksesi tällä hetkellä pelaavan aseman ja vahvasta painamalla navigointinuppia. Voit valita suosikin painamalla lyhyesti FAV:tä ja valitsemalla jonkin luetelluista esiasetetuista asemista. Kun esiasetettua asemaa toistetaan, sen esiasetettu numero, tähtisymboli + numero, näkyy näytön alareunassa.

## 5. JÄRJESTELMÄASETUKSET

### 5.1 Taajuuskorjain

Jos haluat valita taajuuskorjainasetuksen, valitse Valikko> Järjestelmäasetukset> Taajuuskorjain, tässä on useita ennalta määritettyjä taajuuskorjainasetuksia, also mukautettu asetus (Oma taajuuskorjain). To määrittää omat asetukset "My EQ" -vaihtoehdolle mukautetuilla basso- ja diskanttiasetuksilla.

### 5.2 Verkko

#### 5.2.1 Ohjattu verkon luominen

##### Verkon valitseminen

Kun ohjattu verkon luominen on valittuna, radio etsii automaattisesti käytettävissä olevia langattomia verkkoja ja näyttää verkkojen SSID-tunnusten luettelon (Service Set Identifiers), valitse verkko luettelosta.

##### Avaa verkko

Jos verkko on avoinna (salaamaton), muodostetaan langaton yhteys, eikä lisätietoja tarvita.

##### Salattu verkko

Jos langaton verkko on suojattu, verkkoavaimen tai tunnuslauseen syöttövaihtoehdot tulevat näkyviin seuraavaan näyttöön.

##### Valmistumisen verkko

Radio muodostaa yhteyden valittuun verkkoon. Jos yhteys katkeaa, radio palaa edelliseen näyttöön, jotta voit yrittää uudelleen. Jos verkkoyhteys katkeaa, radio muodostaa automaattisesti yhteyden uudelleen.

### 5.2.2 PBC Wlan -asennus / WPS (Wi-Fi-suojattu asennus)

Radio kehottaa painamaan reitittimen liitäntäpainiketta ja painamaan sitten Navigointi-nuppia.

**5.2.3 Näytä asetukset:** Näyttää asetustiedot: Aktiiviset yhteydet / MAC-osoite / WiFi-alue / DHCP / SSID / IP-osoite / Aliverkon peite / Yhdyskäytävän osoite / Ensisijainen DNS / Toissijainen DNS

**5.2.4 Manuaaliset asetukset:** Valitse DHCP käytössä / poistettu käytöstä

**5.2.5 NetRemote PIN-koodin määrittäminen:** aseta PIN-numero, joka on annettava, ennen kuin voit muodostaa yhteyden radioon etäyhteyden välityksellä verkon kautta

**5.2.6 Verkkoprofiili:** Tämä näyttää luettelon verkoista, jotka radio muistaa (enintään 4).

**5.2.7 Poista kaikki verkkoasetukset:** Tämä vaihtoehto tyhjentää nykyiset verkkoasetukset.

**5.2.8 Pidä verkko kytkettynä:** Whether-verkko säilyy muissa tiloissa Internet-radion ulkopuolella tai valmiustilassa.

## 5.3 Aika / päivämäärä

### 5.3.1 Aseta aika / päivämäärä

Päivämäärä ja kellonaika näytetään PP-KK-VVVV:nä, ja ensimmäinen arvo DD on aktiivinen (vilkkuu).

Sääda kutakin arvoja ohjaimella. Kun jokainen arvo asetetaan painamalla nuppia, seuraava arvo aktivoituu ja voidaan asettaa.

### 5.3.2 Automaattinen päivitys (DAB:stä, FM:stä tai verkosta):

Valitse Päivitä DAB:stä, Päivitä FM:stä, Päivitä verkosta tai Ei päivitystä.

**5.3.3 Muodon asettaminen:** 12 tuntia / 24 tuntia

**5.3.4 Aikavyöhykkeen asettaminen:** Valitse aikavyöhyke, jolla olet

**5.3.5 Kesäaika:** Turn-kesäaika vapaalla ja päällä.

**5.4 Language:** Oletuskieli on englanti. Select Menu> Järjestelmäasetukset> Kielet> Englanti, Dansk, Nederlands, Suomi, Francais, Deutsch, Italiano, Norsk, Polski, Portugues, Espanol, Svenska, Turkce

**5.5 Tehdasasetusten palauttaminen:** valitse Valikko> Järjestelmäasetukset> Tehdasasetusten palauttaminen > Jatka, Kyllä. (kaikki käyttäjäasetukset palautetaan oletusarvoihin)

## 5.6 Ohjelmistopäivitys

Kaikki käyttäjäasetukset säilytetään ohjelmistopäivityksen jälkeen.

**VAROITUS:** Varmista ennen ohjelmistopäivityksen aloittamista, että radio on kytketty vakaaseen virtalähteeseen. Virtalähteen irrottaminen ohjelmistopäivityksen aikana voi vahingoittaa laitetta pysyvästi.

## 5.7 Ohjattu asennustoiminto

**5.7.1.** Aseta päivämäärä- ja aikamuoto.

**5.7.2.** Automaattinen päivitys - Valitse kellon päivityslähde tai Ei päivitystä.

**5.7.3.** Aikavyöhykkeen määrittäminen

**5.7.4.** Kesäaika

**5.7.5.** Pidetäänkö verkko kytkettynä? Kyllä vai ei.

**5.7.6.** Ohjattu verkkotoiminto suoritetaan automaattisesti (katso kohta 5.2.1 Verkko).

## 5.8 Tiedot

Näyttää nykyisen järjestelmän tiedot, mukaan lukien:

SW-versio: ohjelmiston versionumero

Spotify-versio: versionumero

Radiotunnus: Yksilöllinen koodi, joka tunnistaa tämän radion

Kutsumanimi: Nimi, jota käytetään verkon radion tunnistamiseen

### 5.9 Tietosuojakäytäntö

Näyttää tietosuojakäytännön, joka vie sinut verkkosivustollemme saadaksesi täydelliset tiedot Frontier Smart Technologiesin tietosuojakäytännöstä:

Siirry seuraavalla sivulla tietokoneella tai mobiililaitteella. : [www.Frontiersmart.com/privacy](http://www.Frontiersmart.com/privacy)

### 5.10 Taustavalo / näyttö

Aikalisä: päällä, 10, 20, 30, 45, 60, 90, 120, 180 sekuntia

Korkea, Keskitaso ja Matala ovat käytettävissä On-tasolla.

Himmeälle tasolle on saatavana korkea, keskitaso, matala ja pois päältä.

### 5.11 Linjalähdön asetukset

Valitse Kyllä tai Ei, jos haluat varmistaa, onko musiikkilähtö sallittu vai ei.

Valitse Paikalliset kaiuttimet -kohdassa Kyllä tai Ei, jos haluat ottaa äänen käyttöön tai poistaa sen käytöstä tai ei.

## 6. INTERNET-RADIO

Radio voi toistaa tuhansia radioasemia ja podcasteja ympäri maailmaa laajakaistaisen Internet-yhteyden kautta.

Huomautus: **Asemaluettelovalikko** on saatavilla Internet-radioportaalin kautta, joten se on käytettävissä vain, kun radio on yhteydessä Internetiin. Asemaluettelot ja alivalikot muuttuvat ajoittain.

### 6.1 Maa

Edustaa alivalikkoa, jolla voit etsiä asemia eri luokista, Valitse haluamasi luokka ja joko näkyviin tulee toinen aliluokkien luettelo tai (jos muita alaluokkia ei ole) valitun luokan käytettävissä olevat asemat luetellaan.

### 6.2 Historia

Viimeksi kuunneltu asema valitaan, kun Internet-radiotila on käynnistetty uudelleen. Select Menu> Asemaluettelo> Historia valitaksesi eri äskettäin käytetyn aseman.

### 6.3 Haku: Search Internet-lähetykset asemille, joiden otsikko sisältää tiettyjä avainsanoja.

### 6.4 Sijainti

Valitse maanosa valikosta ja näyttöön tulee luettelo käytettävissä olevista maista. Valitse radioasema luettelosta, jotta voit virittää kyseisen aseman.

### 6.5 Suosittu

Esittelee luettelon suosituimmista Internet-lähetystoiminnan harjoittajista ympäri maailmaa.

### 6.6 Löydä

Voit valita joko alkuperän (maailmanlaajuinen / maa), tyyllilajin (musiikkityyli) tai kielen mukaan määritettyjen kanavien luettelosta. Voit tarkastella luetteloita valitsemalla vaihtoehdon, joka näyttää käytettävissä olevien asemien määrän.

### 6.7 Nyt toistetaan tietoja

Name/ kuvaus / artisti- ja track-tiedot (jos saatavilla) näkyvät näytöllä toiston aikana. Paina Info käydäksesi läpi seuraavat tiedot: Iskulause (vakio; jos saatavilla); Kieli / paikka; Pakkauksenhallinta ja näytteenottotaajuus; Toistopuskuri; Tämän päivän päivämäärä jne.

## 7. Podcastit

Podcast-tilassa radio ottaa yhteyttä palveluntarjoajan portaaliin saadakseen luettelon käytettävissä olevista podcasteista.

Huomautus: Podcast-valikko tarjotaan podcast-portaalin kautta, ja siksi se on käytettävissä vain, jos radio on yhteydessä Internetiin. Podcast-luettelot ja alivalikot muuttuvat ajoittain.

### 7.1 Maa

Valitse haluamasi luokka ja joko toinen alaluokkien luettelo näytetään tai (jos muita alaluokkia ei ole), valitun luokan käytettävissä olevat podcastit luetellaan.

### 7.2 Haku

Search-podcastit, joiden otsikossa on tiettyjä avainsanoja. Valitse ohjelma luettelosta.

### 7.3 Sijainti / paikka / maa

Valitse maanosa menu:sta ja näyttöön tulee luettelo käytettävissä olevista maista. Valitse maa ja käytettävissä olevat podcastit näytetään.

### 7.4 Löytö

Valitse podcastien luettelosta, joka on määritetty joko alkuperän (maan), tyyllilajin (music-tyylin) tai kielen mukaan.

## 8. SPOTIFY CONNECT Spotify<sup>®</sup>

Käytä puhelinta, tablettia tai tietokonetta Spotifyn kaukosäätimenä.

Käy osoitteessa [spotify.com/connect](http://www.spotify.com/connect) saadaksesi lisätietoja.

Spotify-ohjelmistoon sovelletaan kolmansien osapuolten lisenssejä, jotka löytyvät täältä:

<http://www.spotify.com/connect/third-party-licenses>

## 9. DAB +

DAB-radiotila vastaanottaa DAB / DAB + digitaalisen radion ja näyttää tietoja asemasta, suoratoistosta ja raidan toistosta.

### 9.1 Aseman luettelo

Ensimmäistä kertaa DAB-radiotilassa tai jos asema luettelo on tyhjä, radio suorittaa automaattisesti täydellisen tarkistuksen nähdäkseen, mitkä asemat ovat käytettävissä.

Select Menu> Asema luettelo ja paina navigointipainiketta. Vieritä kiertosäädintä valitaksesi aseman, jota haluat kuunnella. Asemat voidaan tallentaa jaksua kohdassa 4 kuvalla tavalla. 4.

#### 9.1.2 Skannaus

Aloita skannaus painamalla Skannausta, kun skannaus on valmis, radio näyttää luettelon käytettävissä olevista asemista.

#### 9.1.3 Manuaalinen viritys:

Manuaalinen viritysvalikko-vaihtoehto tietyn kanavan valitsemiseksi ja kyseisen kanavan signaalin voimakkuuden tarkastelemiseksi.

#### 9.1.4 Asemien poistaminen

Jos haluat poistaa luettelossa olevat asemat, jotka eivät ole käytettävissä, valitse Valikko> Tyhjennä virheellinen.

#### 9.1.5 Dynaamisen alueen pakkaus (DRC)

Joissakin DAB + -lähetyksissä on Kongon demokraattinen tasavalta (Dynamic Range Compression). Jos haluat muuttaa Radio DRC -asetusta, valitse Kongon demokraattinen tasavalta korkea, Kongon demokraattinen tasavalta matala tai Kongon demokraattinen tasavalta.

Huomautus: Radio DRC -asetuksella ei ole vaikutusta, jos lähetyksessä ei sisällä Kongon demokraattisen tasavallan tietoja.

#### 9.1.6 Aseman järjestys

Jos haluat muuttaa aseman järjestystä, valitse Valikko> Aseman järjestys> valitse sitten Aakkosnumeerinen tai Ensemble

#### 9.2 Nyt pelataan / mitä tapahtuu

Press Info, näytetään tietoja, jotka sisältävät DLS-tekstin, ohjelman tyyppiä, yhtyeen nimen / taajuuden, signaalin voimakkuuden / virhetason, bittinopeuden / koodekin / kanavat, tämän päivän päivämäärän ja DL Plus (jos saatavilla) -syklin läpi.

#### 9.3 Diaesitys

Selaa eri näyttöasetuksia painamalla navigointinuppia, jos diaesitys on käytettävissä (lähetyssignaalista riippuen).

## 10. FM

FM-radiotila vastaanottaa analogisen radion FM-kaistalta ja näyttää RDS (Radio Data System) -tiedot asemasta ja lähetyksestä.

#### 10.1 Valitse asema

Paina Skannaus, the taajuusnäyttö alkaa vierä, kun radio skannaa FM-kaistan. Asemat voidaan tallentaa ja kutsua kohdassa 4 kuvatulla tavalla. 4.

#### 10.2 Nyt pelataan / mitä tapahtuu

Kun FM-asemaa toistetaan, näytetään jompikumpi seuraavista kahdesta tietojoukosta:

Jos RDS-tiedot ovat käytettävissä, niiden oletusarvo on palvelun nimi (eli aseman nimi). Selaa lisää RDS-tietoja painamalla Info: RDS-radiotekstiä, RDS-ohjelman tyyppiä, taajuutta ja tämän päivän päivämäärää.

Jos RDS-tietoja ei ole käytettävissä, tällä hetkellä asetettu taajuus näytetään.

#### 10.3 Asetukset

##### Skannausasetukset

Oletusarvoisesti FM-skannaukset pysähtyvät millä tahansa käytettävissä olevalla asemalla. Jos haluat muuttaa skannausasetuksen pysähtymään vain sellaisilla tilastoilla, joilla on hyvä signaalin voimakkuus, valitse Valikko> Skannausasetukset> Vain vahvat asemat > Kyllä?

##### Ääniasetukset

Oletusarvoisesti kaikki stereoasemat toistetaan stereoina. Heikoilla lähettimillä tämä voi johtaa huonoon signaali-kohinasuhteeseen (kohina). Jos haluat toistaa heikkoja asemia monona, valitse Valikko> Ääniasetukset> Heikko FM-vastaanotto: kuulet vain mono> Kyllä.

## 11. CD

CD-valikossa on seuraavat vaihtoehdot:

Satunnainen / Sekoita (Pois / Päällä)

Toista (Ei käytössä / Toista / Toista kaikki)

CD-tilassa: "Ladataan ..." ilmestyy CD-toimintonäyttöön, jota seuraa "Lukeminen", "Ei levyä".

Työnnä radion poistopainike, aseta CD-levy asemaan ja asema hyväksyy CD-levyn järjestelmään toistoa varten. CD-levyn ensimmäinen kappale toistetaan nyt ja näytetään soittoaika.

Voit vaihtaa raitojen välillä radion tai kaukosäätimen eteen- tai taaksepäin -painikkeilla. Keskeytä / toista radion tai kaukosäätimen painikkeella toistaaksesi tai keskeyttääksesi.

Jos haluat siirtyä taaksepäin / eteenpäin kappaletta toistettaessa, pidä kaukosäätimen edellistä tai seuraavaa painiketta painettuna ja vapauta se, kun haluat lopettaa ohittamisen.

### **Program**

Kun CD-levy toistetaan, paina "Stop" -painiketta. Voit ohjelmoida CD-soittimen toistamaan kappaleita tietyssä järjestyksessä. Paina vain kaukosäätimen "Ohjelma" -painiketta päästäksesi ohjelmoinnin tilaan. Tähtisymboli tulee näkyviin. Ohjelman asetuksissa näytössä näkyy T001, joka näyttää CD-levyn ensimmäisen raidan P01:nä. Voit nyt valita haluamasi otsikon ohjelmanumeroksi P01 siirtymällä haluamaasi otsikkoon käyttämällä "<<" ja ">>" -painikkeita. Kun olet löytänyt P01: lle valitsemasi kappaleen, paina "Ohjelma" ja valitse seuraava ohjelmoitu kappale. Seuraavan kappaleen näytössä näkyy T002, joka ilmaisee ohjelman 2. Vieritä nyt "<<" ja ">>" -painikkeita haluamaasi kappaleeseen. Kun olet valinnut ohjelmalle 2 valitsemasi ohjelman, paina "Ohjelma" ja valitse seuraava ohjelmoitu kappale. Kun olet suorittanut ohjelmakappaleen valinnan, paina Toista / "Keskeytä" -painiketta toistaaksesi ohjelmoidut kappaleet. Jos ohjelman toisto on käynnissä, poistu ohjelman toistotilasta ja palaa CD-toistoon painamalla pysäytyspainiketta kahdesti.

### **Kaikkia CD-levyjä ei voi käyttää.**

ÄLÄ KÄYTÄ Mini-CD-levyjä (8 cm). Käytä vain täysikokoista 12 cm:n levyä. Mini-CD-levyt estävät syöttömekanismin.

## 12. USB

USB-tilassa ääntä toistetaan ulkoisesta lähteestä, kuten MP3-soittimesta.

Sekoita / Satunnainen (Pois / Päällä)

Toista (Ei käytössä / Toista / Toista kaikki)

## 13. AUX IN

Toiminto: Externa-ääniohjelman toistotilan määrittäminen. Liitä ulkoinen äänilähde Aux-IN:ään. Säädä radion (ja tarvittaessa äänilähdelaitteen) äänenvoimakkuutta tarpeen mukaan.

## 14. BLUETOOTH

Radion Bluetooth-nimi on Tangent Radio Fem. Varmista Bluetooth-älylaitteessa (puhelimessa /tablettissa), että bluetooth on päällä, ja etsi laite. Valitse radio käytettävissä olevien Bluetooth-laitteiden luettelosta.

Pause, toista, siirry seuraavaan kappaleeseen ja siirry edelliseen kappaleeseen (hallitsevan Bluetooth-laitteen soittolistassa) radiossa käytettävissä olevilla painikkeilla.

## 15. HÄLYTYS JA UNIAJASTIN

### 15.1 Nukkuma-ajastin

Nuku pois päältä, 15 minuuttia, 30 minuuttia, 45 minuuttia, 60 minuuttia, 90 minuuttia tai 120 minuuttia.

Huomautus: Uniaika peruutetaan automaattisesti, kun radio kytketään valmiustilaan.

### 15.2 Hälytys

Valitse hälytysnumero (1 tai 2) ja määritä seuraavat parametrit:

Aktivoi: Pois päältä, päivittäin, kerran, viikonloppuna tai arkipäivänä

Aika: 12:00 p.m. (sääda tarpeen mukaan)

Päivämäärä: (sääda tarpeen mukaan - tämä vaihtoehto on yleensä piilotettu ja pakollinen vain, jos "Kerran" on valittuna "Aktivoi" -kentässä.)

Tila: Buzz, Internet-radio, DAB tai FM

Oletusasetus: Viimeinen äänenvoimakkuus tai äänenvoimakkuus: 1-32

Voit tallentaa nämä asetukset ja asettaa hälytyksen vierittämällä alaspäin ja valitsemalla Tallenna.

Huomautus: Hälytys kuuluu asetettuna ajankohtana. Voit poistaa sen tilapäisesti käytöstä painamalla

Navigointi-painiketta. Paina navigointipainiketta toistuvasti selataksesi käytettävissä olevia torkkujaksoja: 5 minuuttia, 10 minuuttia, 15 minuuttia ja 30 minuuttia. Peruuta hälytys tai unihälytys painamalla Valmiustilaa.

## 16. UNDOK-SOVELLUS

Laite tarjoaa verkkotoimintoja älypuhelimien tai tabletin kautta iOS- tai Android-järjestelmässä. Lataamalla UNDOK-nimisen sovelluksen

. Ennen kuin käytät UNDOK-sovellusta, varmista, että laite ja älypuhelin / tabletti ovat samassa WiFi-verkossa.

HUOMAUTUS: Jos toisella älypuhelimella / tabletilla, jossa on sovellus samassa verkossa, on pääsy laitteeseen, alkuperäinen yhteys katkeaa.

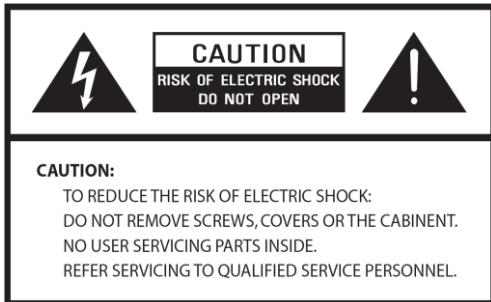
## 17. SPESIFIKAATIO

<b>Mallin numero</b>	Tangentti Radio Fem
Kuvaus	Internet-radio/FM/DAB+/CD/BT/USB/AUX/Spotify
Näyttö	3,2 tuuman TFT-väri näyttö
Tuettu verkko	Langaton WiFi IEEE 802.11b/g/n; Bluetooth (BT 5.0, tukee A2DP-, AVRCP-profiileja)
Taajuudet	WiFi: 2.400 - 2.4835 GHz; Bluetooth: 2,4 GHz - 2,48 GHz
Salaus	WEP, WPA, WPA2 (PSK), WPS
CD-soitin	Tukee CD-, CD-R- ja CD-RW-levyjä
Tuetut muodot (CD)	CD-DA, MP3, WMA (enintään 48 kHz, 384 kbps)
Tuetut muodot: (suoratoisto, USB)	MP3 (enintään 320 kbit/s), WMA (enintään 384 kbit/s), WAV (enintään 1,536 mbit/s), AAC/AAC+ (enintään 96 kHz, 24-bittinen), FLAC (enintään 48 kHz, 24-bittinen)
DAB / DAB+	Taajuus III (174.928 – 239.200 MHz)
FM	87,5 – 108,0 MHz, tuki RDS:lle
Virtalähde	100-240V – 50/60Hz 15VDC - 3A
Kauko-ohjaimen akut	2 x 1,5 V:n AAA-akku
toiminnan temperatur	0 oC - 35 oC
lähtöteho	2x20Watt RMS
Connections	DC SISÄÄN, AUX-IN, LINE OUT, USB
koko	430x230x148mm (B x T x K)
Paino netto	4,5 kg

Eserved oikeudet technical muutoksiin ilman erillistä ilmoitusta.



## Tärkeitä turvallisuusohjeita



1. Lue nämä ohjeet.
2. Säilytä nämä ohjeet.
3. Ota huomioon kaikki varoitukset.
4. Noudata kaikkia ohjeita.
5. Älä käytä kaiutinta veden lähellä.
6. Puhdista vain kuivalla liinalla.

**VAROITUS: ÄLÄ ALTISTA KAIUTINTA SATEELLE TAI KOSTEUELLE TULIPALON TAI SÄHKÖISKUVAARAN VÄHENTÄMISEKSI.**

Sähköiskun, tulipalon jne.

1. Älä sijoita laitetta lämmönlähteiden, kuten lämpöpattereiden, lämpörekiesterien, uunien tai muiden lämpöä tuottavien laitteiden (mukaan lukien vahvistimet) lähelle.
2. Älä tuki laitteen tuuletusaukkoja.
3. Laitetta ei saa altistaa tippumiselle tai roiskumiselle, eikä laitteeseen saa asettaa nesteillä täytettyjä esineitä, kuten maljakoita.
4. Älä aseta raskaita kuormia laitteeseen äläkä astu sen päälle, kuorma voi pudota ja aiheuttaa vakavia vammoja yksikölle.
5. Katso laitteen takaosassa olevat luokitustarrat, joissa on virransyöttöä ja muita turvallisuustietoja.
6. Tämä laite on tarkoitettu käytettäväksi vain mukana toimitetun virtalähteen kanssa.
7. Suojaa virtajohtoa kävellen tai puristumiselta erityisesti pistokkeissa, astioissa ja missä tahansa kohdassa, jossa ne poistuvat laitteesta.
8. Älä koskaan irrota pistoketta pistorasiasta vetämällä virtajohtoa. Tartu aina pistokkeeseen tiukasti ja vedä suoraan ulos pistorasiasta.
9. Korjaa tai vaihda välittömästi kaikki sähkökäyttöiset huoltojohdot, jotka ovat rispaantuneet tai muuten vaurioituneet. Älä käytä johtoa, jossa on halkeamia tai hankautumisvaurioita pitkin sen pituutta, pistoketta tai liittimen päätä.
10. Älä käytä tätä pistoketta jatkojohdon tai muun ulostulon kanssa palo- tai iskuvaaran välttämiseksi, ellei teriä voida asettaa kokonaan terän altistumisen estämiseksi.
11. Älä altista laitetta sateelle tai kosteudelle tulipalo- tai iskuvaaran välttämiseksi.
12. Salama- tai sadepäivinä irrota laite pistorasiasta lisäsuojaa varten ukkosmyrskyjen aikana tai silloin, kun laitetta ei käytetä pitkään aikaan. Tämä estää laitteen vaurioitumisen salaman ja virtapiikeistä.
13. Älä yritä suorittaa mitään huoltotyötä itse. Avaamalla tai irrottamalla kaapin saatat altistua vaaralliselle jännitteelle tai muille vaaroille. Kaikki huoltotyöt on suoritettava pätevien teknikoiden toimesta.
14. Kaukosäätimen akku ei saa altistua liialliselle kuumuudelle, kuten auringonpaisteelle, tulelle tai vastaavalle.
15. Räjähdyksivaara, jos akku on vaihdettu väärin. Korvaa vain samalla tai vastaavalla tyyppillä.
16. Turvallisuuden vuoksi ja tarpeettoman energiankulutuksen välttämiseksi älä koskaan jätä laitetta päälle ilman valvontaa pitkäksi aikaa, esimerkiksi yön yli, lomalla tai poissa kotoa. Kytke se pois päältä ja irrota verkkopistoke pistorasiasta.



[WWW.TANGENT-AUDIO.COM](http://WWW.TANGENT-AUDIO.COM)

